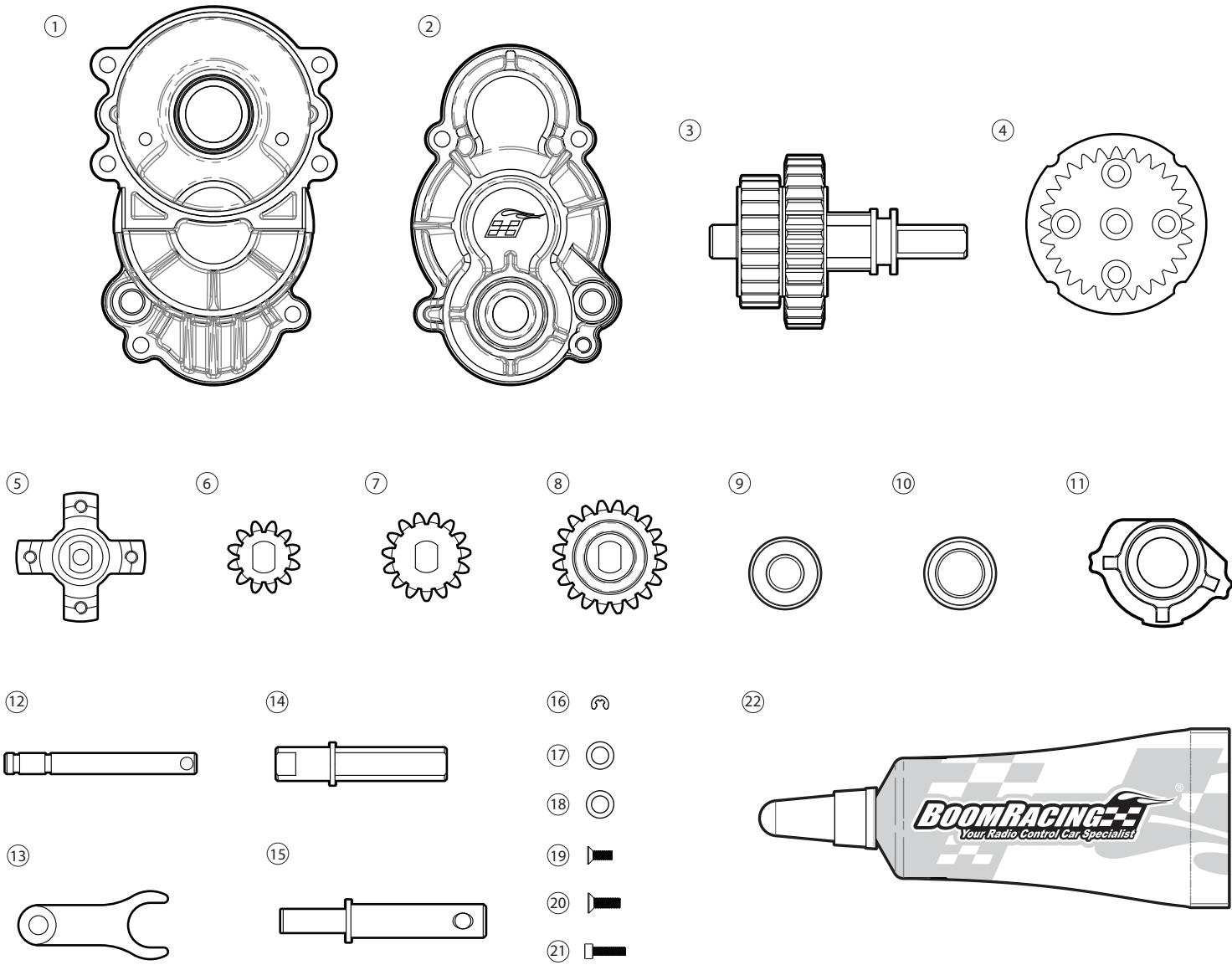


BCF2™ 2-Speed Scale Transmission Gearbox #BR-G100

Difficulty Level: ★★☆☆☆

INSTALLATION MANUAL

Parts Included:	Qty.
(1) Gearbox Housing A	1
(2) Gearbox Housing B	1
(3) Assembled 2-Speed Transmission Gear Set #BRLC7044E	1
(4) Internal Spur Gear 28T #BRLC7031	1
(5) Spur Gear Mount #BRLC7030	1
(6) Spur Gear 12T #BRLC7029-12T	1
(7) Spur Gear 15T #BRLC7029-15T	1
(8) Spur Gear 20T #BRLC7029-20T	2
(9) D5x11x4 Ball Bearing #BBZMR1152RS	7
(10) D7x11x3 Ball Bearing #BBZMR1172RS	1
(11) Bearing Holder #BRX020029A	1
(12) Shift Shaft #BRLC7045C	1
(13) Shifter #BRLC7045B	1
(14) Input Shaft #BRLC7044B	1
(15) Output Shaft #BRLC7044C	1
(16) E-Clip #BRASEC30	2
(17) D5x8x0.5 Spacer #BRASSPD5805	4
(18) D5x8x0.1 Spacer #BRASSPD5801	4
(19) M2x5 CSS #BRASFH2005	4
(20) M2.5x8 CSS #BRASFH2508	1
(21) M2.5x10 SC #BRASCH2510	4
(22) Black Graphite Grease #BRGRS1055-10	1

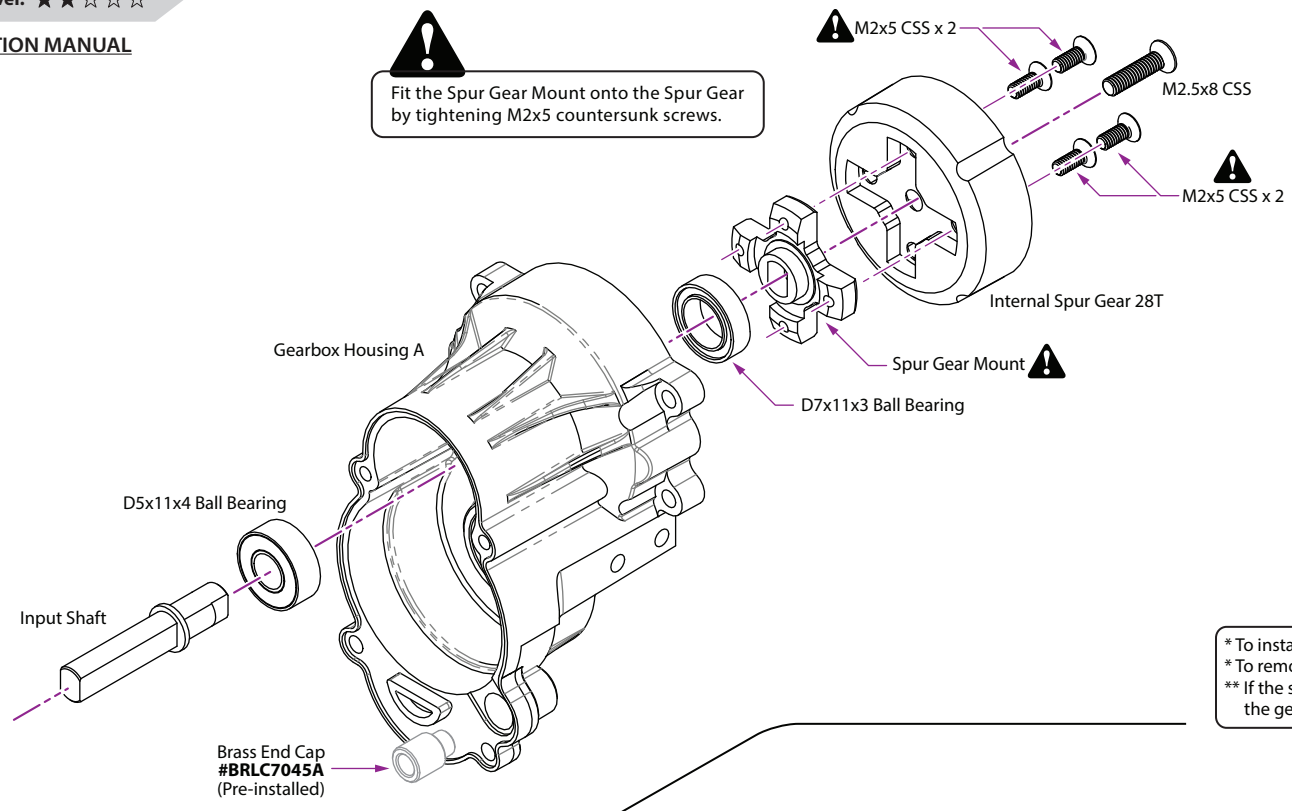


BCF2™ 2-Speed Scale Transmission Gearbox #BR-G100

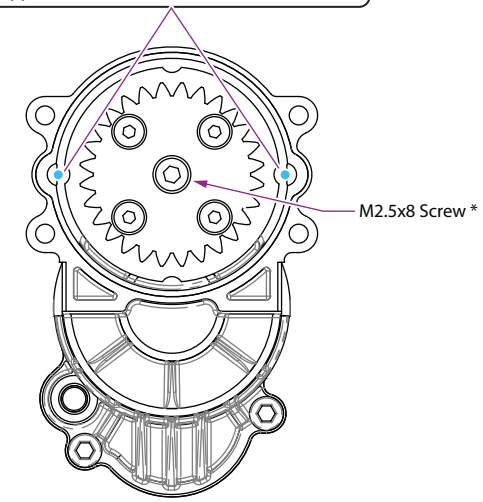
Difficulty Level: ★★☆☆☆

INSTALLATION MANUAL

! Fit the Spur Gear Mount onto the Spur Gear by tightening M2x5 countersunk screws.

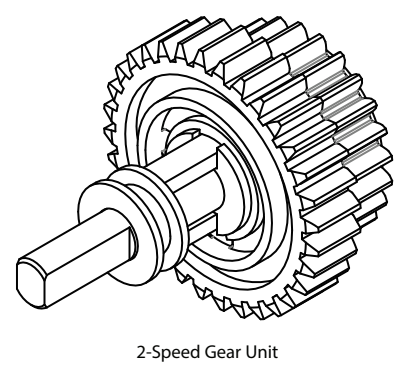


To install or remove the spur gear from the gearbox, align the spur gear as pictured and temporarily insert two M3 screws** to act as stoppers.

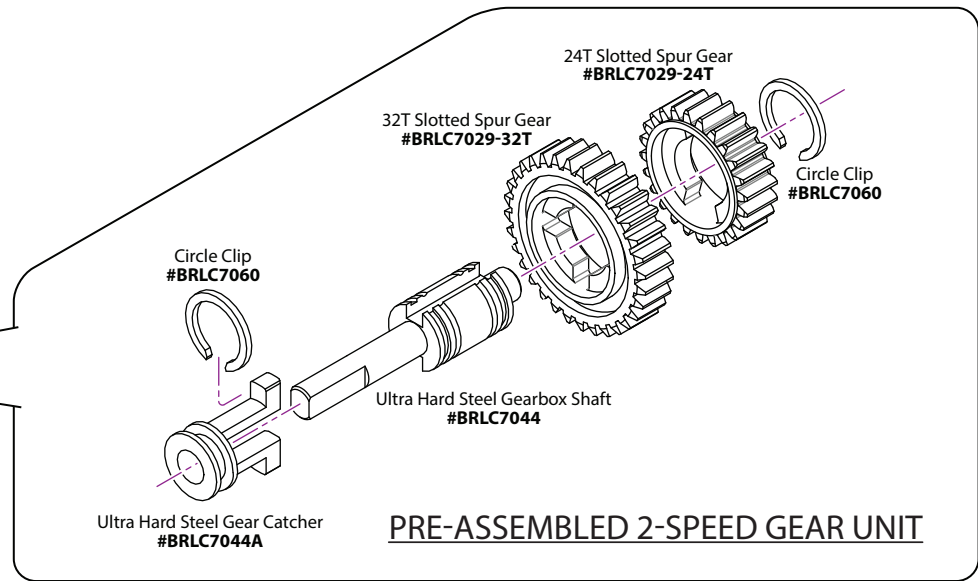


* To install the spur gear, install the four M2x5 screws, then the center M2.5x8 screw.
* To remove the spur gear, remove the M2.5x8 screw, then remove the four M2x5 screws.
** If the spur gear can't be removed, place two long M3 screws and torque them both until the gear is released.

4.2



2-Speed Gear Unit



PRE-ASSEMBLED 2-SPEED GEAR UNIT

BCF2™ 2-Speed Scale Transmission Gearbox #BR-G100

Difficulty Level: ★★☆☆☆

INSTALLATION MANUAL

