

INCLUDES QTY

| | | |
|--|---------------|---|
| (1) Center Housing | (#BRLC7026A) | 1 |
| (2) Diff Cover | (#BRLC7026) | 1 |
| (3) Third Member | (#BRLC7025) | 1 |
| (4) AR44 HD 30/8T Bevel Gear + Input Shaft | (#BR955020) | 1 |
| (5) Low Profile Truss | (#BRLC7004) | 1 |
| (6) Link Mount | (#BRLC7005) | 2 |
| (7) Lockout (Aluminum) - BRX70 | (#BRLC7006) | 2 |
| - BRX80 | (#BRD8012) | |
| - BRX90 | (#BRD9012) | |
| (8) BADASS™ Rear Shaft - BRX70 | (#BRBDLC7011) | 2 |
| - BRX80 | (#BRBD8002) | |
| - BRX90 | (#BRBD9002) | |
| (9) Bearing - D7x14x3.5 | | 2 |
| (10) Bearing - D5x9x3 | | 2 |
| (11) Bearing - D5x11x4 | | 3 |
| (12) Low Bearing - D5x14x5 | | 1 |
| (13) M3x30 - Round Head Screw | | 1 |
| (14) M3x16 - Round Head Screw | | 4 |
| (15) M3x14 - Round Head Screw | | 4 |
| (16) M3x10 - Round Head Screw | | 2 |
| (17) M3 Self Locking Nut | | 1 |
| (18) M2.5x14 - Socket Screw | | 4 |
| (19) M2.5x5 - Socket Screw | | 3 |
| (20) M2x4 - Socket Screw | | 1 |
| (21) D5x8x0.1 (Fine Tune Spacer) | | 5 |

Enjoy Being A BADASS

We love building scale models. Let's be honest. Which badass doesn't love a beautiful looking car? Our focus is on designing the best looking products that really perform; products that withstand beating and still look great enough to be shelf queens. Offering you the latest designs made with the highest possible quality at affordable prices is our absolute focus for all enthusiastic hobbyists.

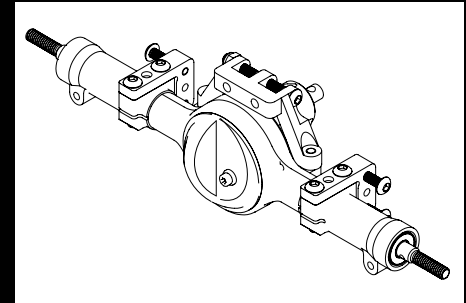
Since 2012, Boom Racing has been manufacturing extreme performance RC products. We want you to love and enjoy these amazing "scale" and "performance" based products to create your own unique realistic RC builds.

We are never going to stop at giving you the best updates and upgrades on our product lines. That's our passion and our commitment to keep you on your toes with excitement and anticipation for what's to come next.

Enjoy being a badass!



Complete Rear Assembled BRX70 / BRX80 / BRX90 PHAT™ Axle w/ BADASS™ Drive Shafts & Keyed AR44 30/8T HD Gears



BRX70 - 146mm pin to pin (#BRLC7023)

BRX80 - 162mm pin to pin (#BRD8023)

BRX90 - 176mm pin to pin (#BRD9023)



#boomracing



www.facebook.com/
boomracingrc

WWW.BOOMRACINGRC.COM

Copyright BoomRacing Co. Ltd.

BRLC7023_0807

ENJOY BEING A BADASS

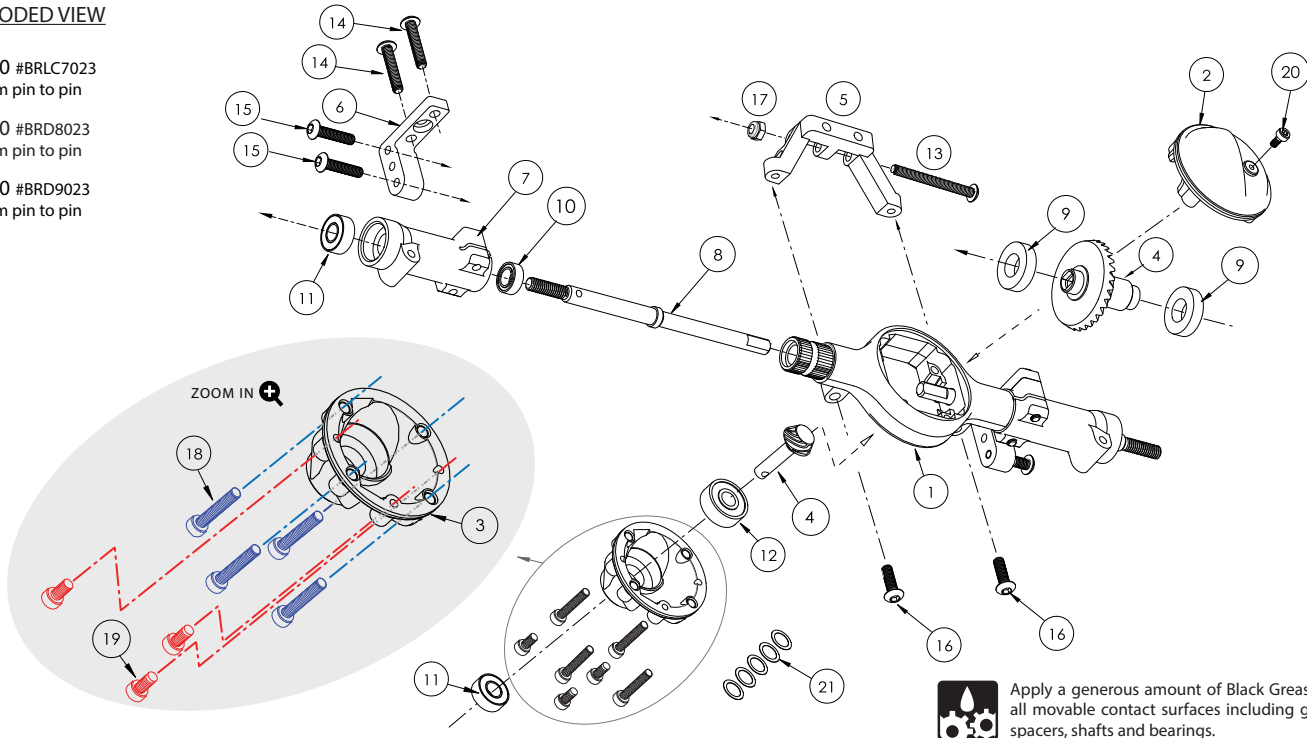
Complete Front Assembled BRX70 / BRX80 / BRX90 PHAT™ Axle w/ BADASS™ Universal Drive Shafts & Keyed AR44 30/8T HD Gears

EXPLODED VIEW

BRX70 #BRLC7023
146mm pin to pin

BRX80 #BRD8023
162mm pin to pin

BRX90 #BRD9023
176mm pin to pin



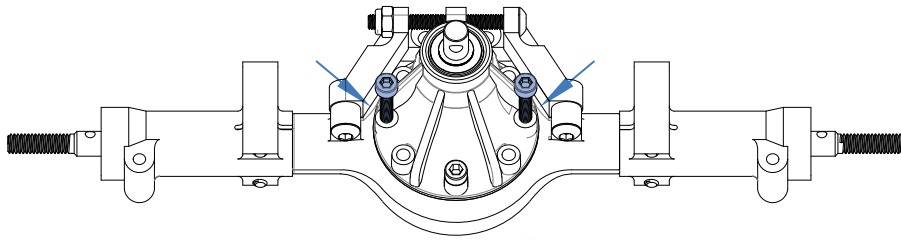
Apply a generous amount of Black Grease on all movable contact surfaces including gears, spacers, shafts and bearings.

BRX70 / BRX80 / BRX90 Rear PHAT™ Axle

The third member release method when assembly is tight.

Step 1 - Remove all M2.5x14mm and two M2.5x5mm socket screws

Step 2 - Install two M2.5x14mm socket screws into both left and right screw holes as indicated



Step 3 - Lightly torque the screws until the third member is released

