

YOUR R/C HOP-UPS SPECIALIST



REAR CAB BULKHEAD FOR SERIES LAND ROVER (SERIES III)

#BRX02387

We love building scale models. Let's be honest. Which badass doesn't love a beautiful looking car? Our focus is on designing the best looking products that really perform; products that withstand beating and still look great enough to be shelf queens. Offering you the latest designs made with the highest possible quality at affordable prices is our absolute focus for all enthusiastic hobbyists.

Since 2012, Boom Racing has been manufacturing extreme performance RC products. We want you to love and enjoy these amazing "scale" and "performance" based products to create your own unique realistic RC builds.

We are never going to stop at giving you the best updates and upgrades on our product lines. That's our passion and our commitment to keep you on your toes with excitement and anticipation for what's to come next.



#boomracing



[www.facebook.com/
boomracingrc](https://www.facebook.com/boomracingrc)

ENJOY BEING A BADASS



Apply Double Sided Tape



Pay attention to note



Apply Glue

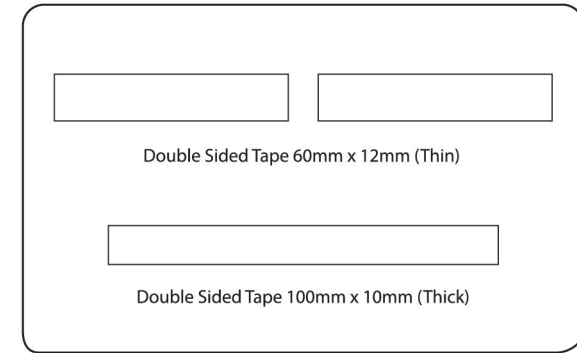
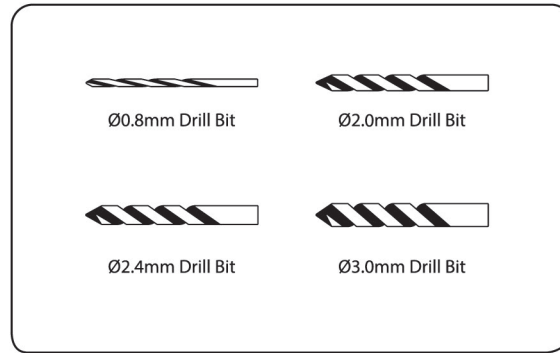
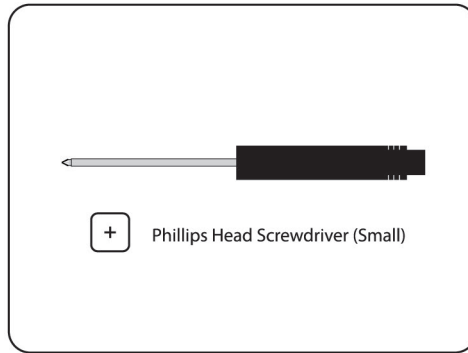


Drill Hole

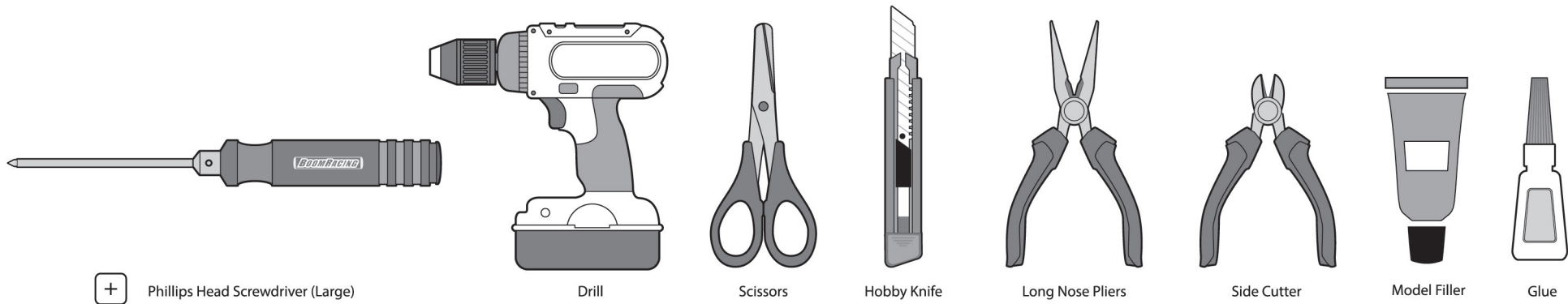


Apply Model Filler

Tools Included

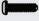
















Tools Required

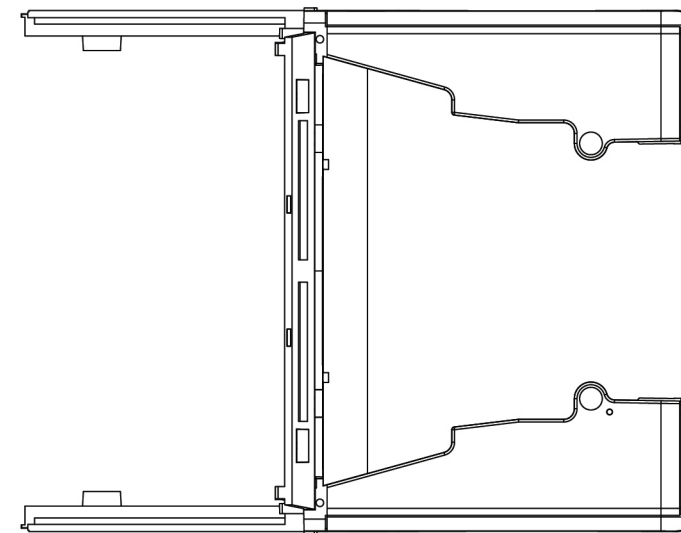




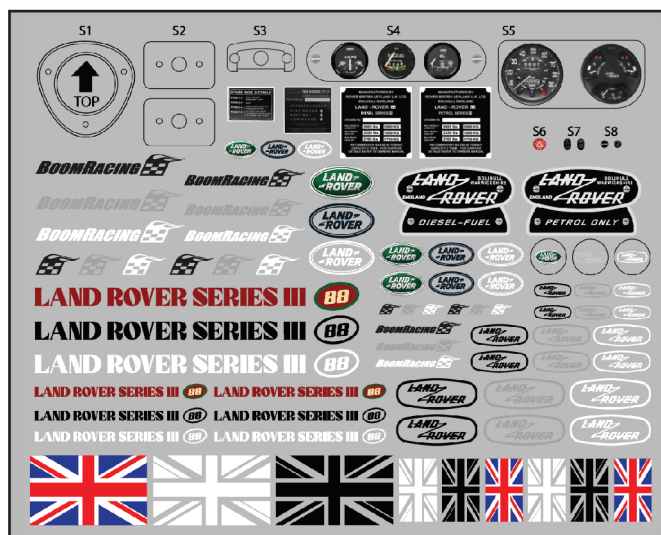
All screw indicators in this manual are 1:1 size (extra screws included).

- | | |
|---|---|
|  ST1x4RS Self-Tapping Screw (Phillips Head) x25
ST1x4 |  ST2.6x6RS Self-Tapping Screw (Phillips Head) x4
ST2.6x6 |
|  ST1x6RS Self-Tapping Screw (Phillips Head) x4
ST1x6 |  ST2.6x10RS Self-Tapping Screw (Phillips Head) x4
ST2.6x10 |
|  ST1.2x4RS Self-Tapping Screw (Phillips Head) x8
ST1.2x4 |  ST2x8CSS Self-Tapping Screw (Phillips Head) x14
STCS2x8 |
|  ST1.5x5RS Self-Tapping Screw (Phillips Head) x8
ST1.5x5 |  ST3x6CSS Self-Tapping Screw (Phillips Head) x4
STCS3x6 |
|  ST2x5RS Self-Tapping Screw (Phillips Head) x12
ST2x5 |  M2x8CSS Machine Thread Screw (1.5 Hex) x6
M2x8CSS |
|  ST2x6RS Self-Tapping Screw (Phillips Head) x20
ST2x6 |  D3x4 Spring Plunger (4) |
|  ST2x8RS Self-Tapping Screw (Phillips Head) x8
ST2x8 |  Magnet (2)
OST8x3 |
| |  Pin (4) |

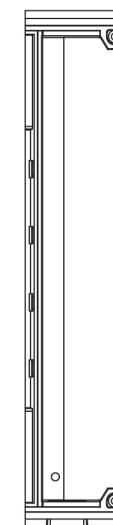
Screw Set for Series III 88 & 109 Body
#BRX02333



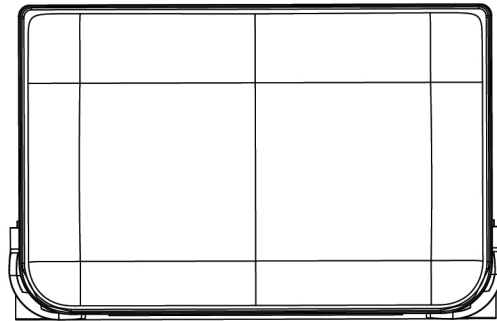
Front Body
#BRX02301



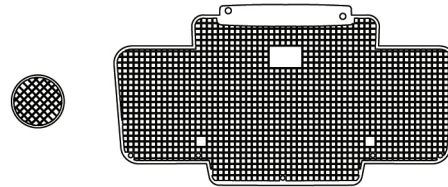
Decal Sticker Series III 88 Pickup
#BRX02332



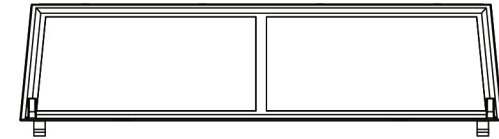
Rear Cab Bulkhead
#BRX02387



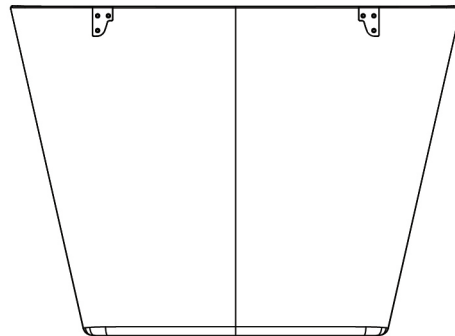
Pickup Hardtop
#BRX02303



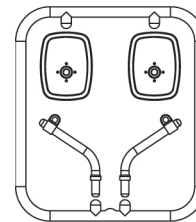
**Stainless Steel
Front Radiator Grill Mesh &
Wing Air Intake Filter**
#BRX02307



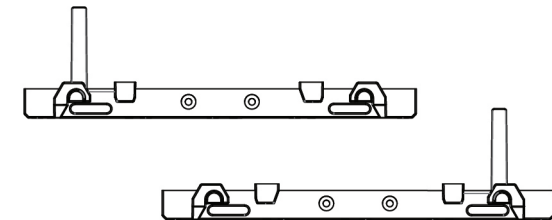
Windscreen Frame
#BRX02313



Bonnet
#BRX02315



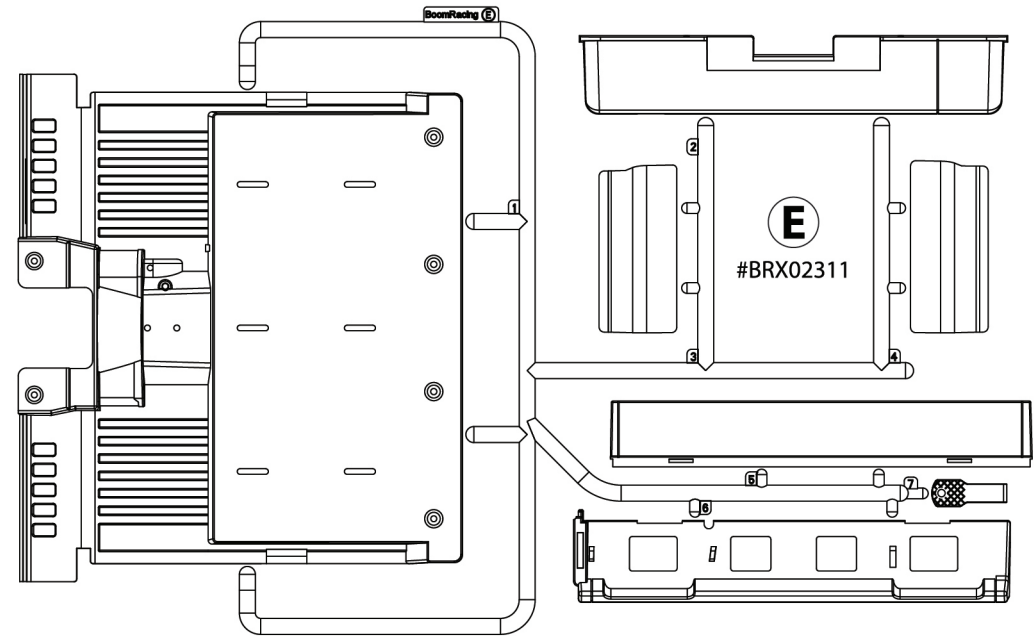
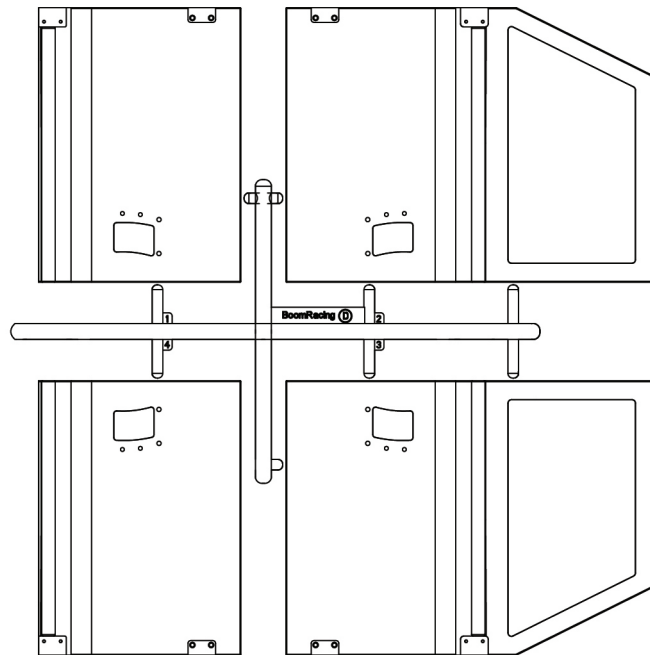
Rubber Side Mirrors
#BRX02317



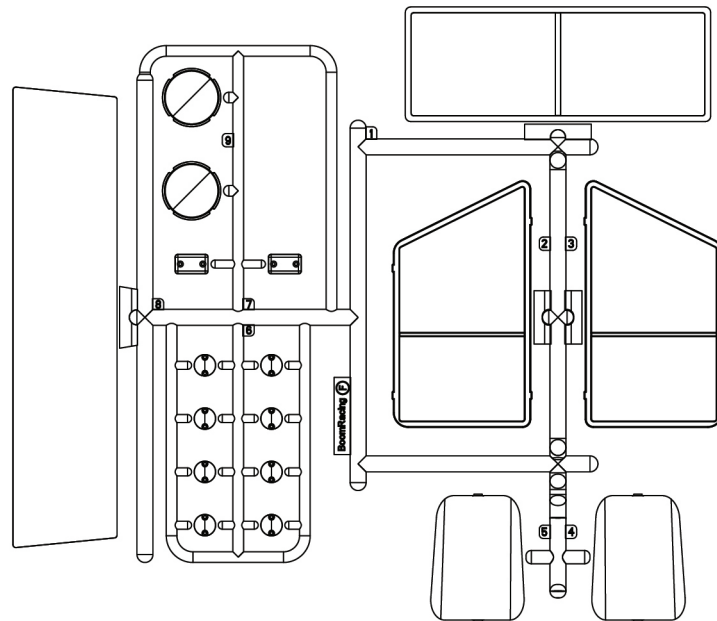
Aluminum Body Brace (Left & Right)
#BRX020112

Note: some parts are not attached to the part trees for packaging reasons.

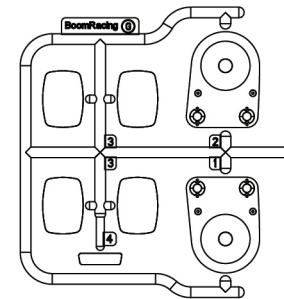
D
#BRX02310



F
#BRX02309

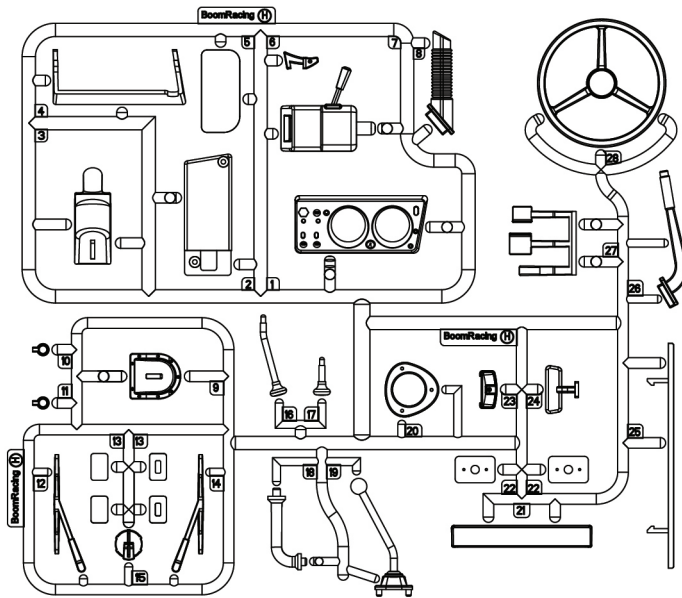


G
#BRX02306

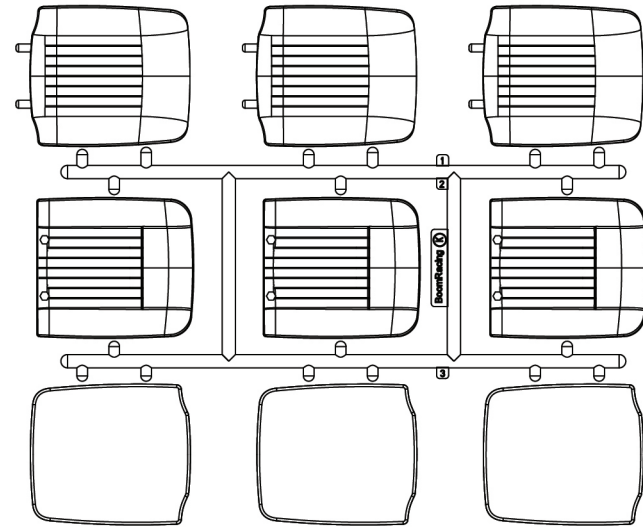


Note: some parts are not attached to the part trees for packaging reasons.

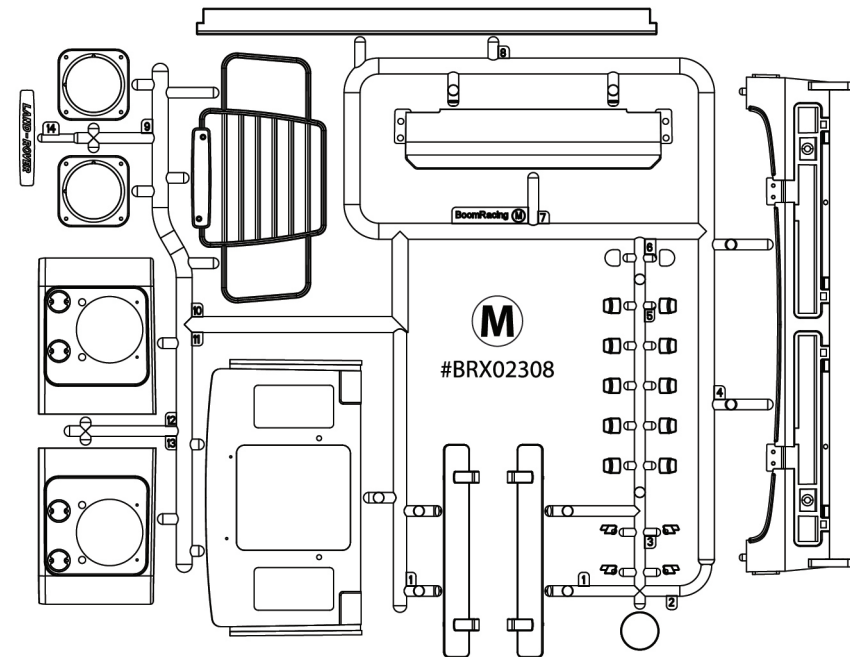
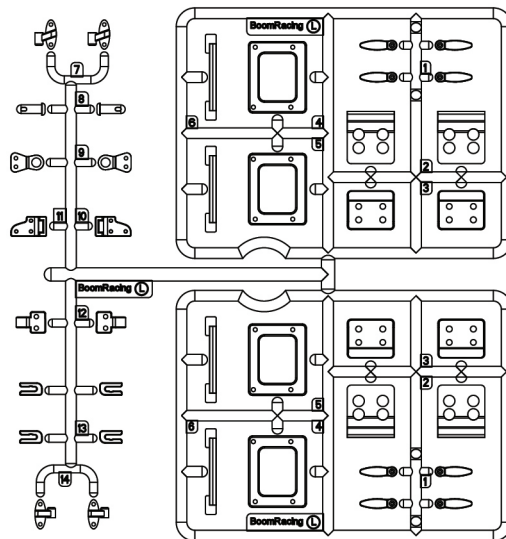
H
#BRX02305



K
#BRX02304



L
#BRX02316



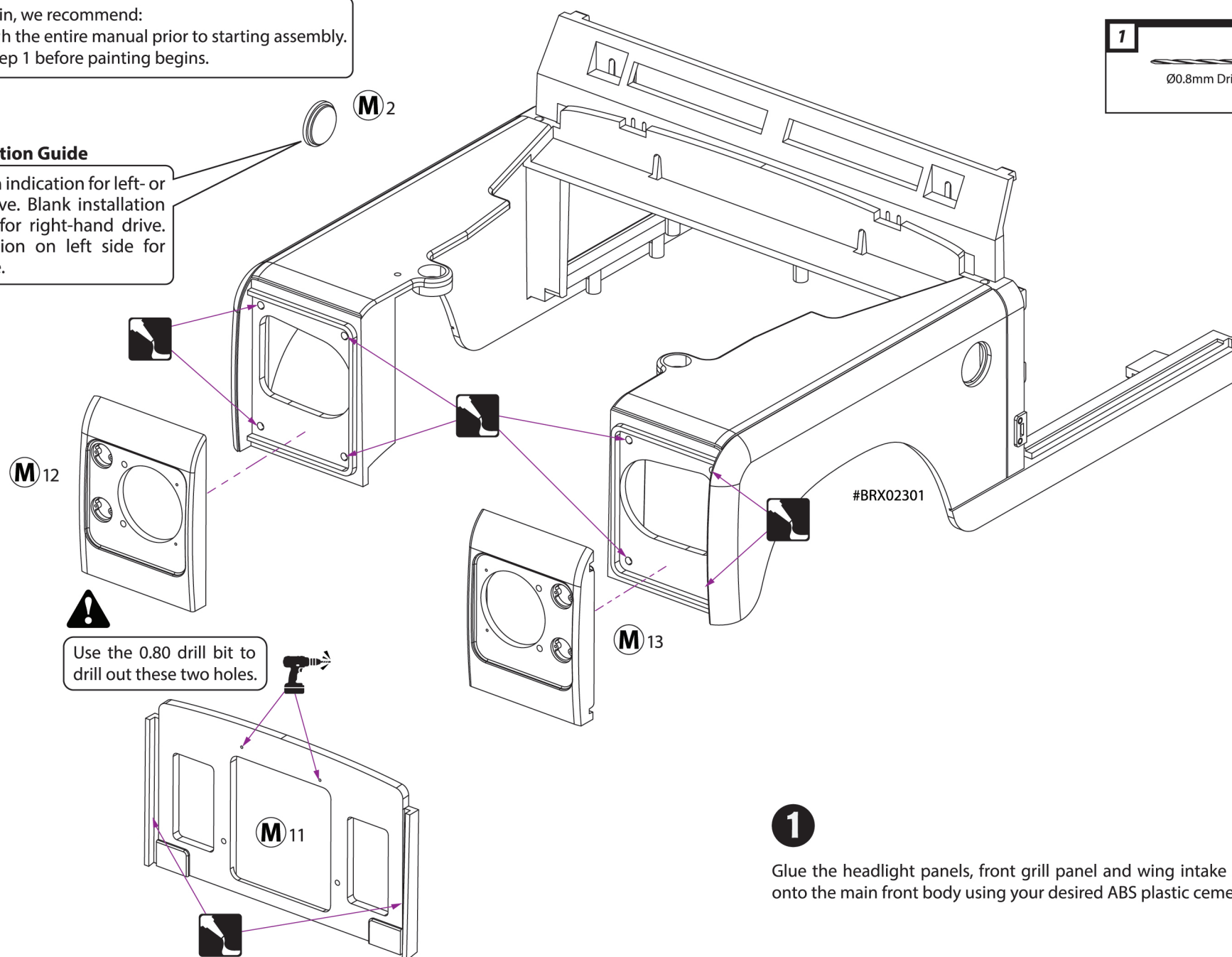


Before you begin, we recommend:

- ① Read through the entire manual prior to starting assembly.
- ② Complete step 1 before painting begins.

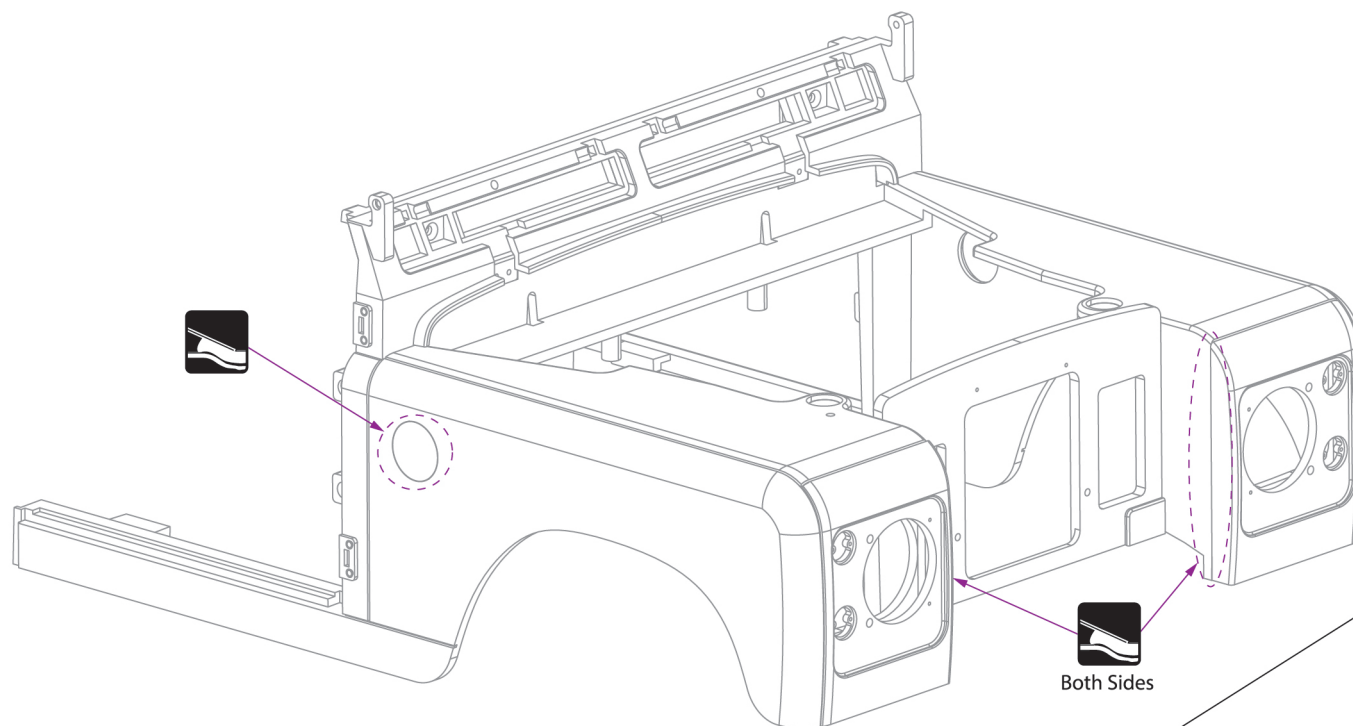
Blank Installation Guide

This blank is an indication for left- or right-hand drive. Blank installation on right side for right-hand drive. Blank installation on left side for left-hand drive.

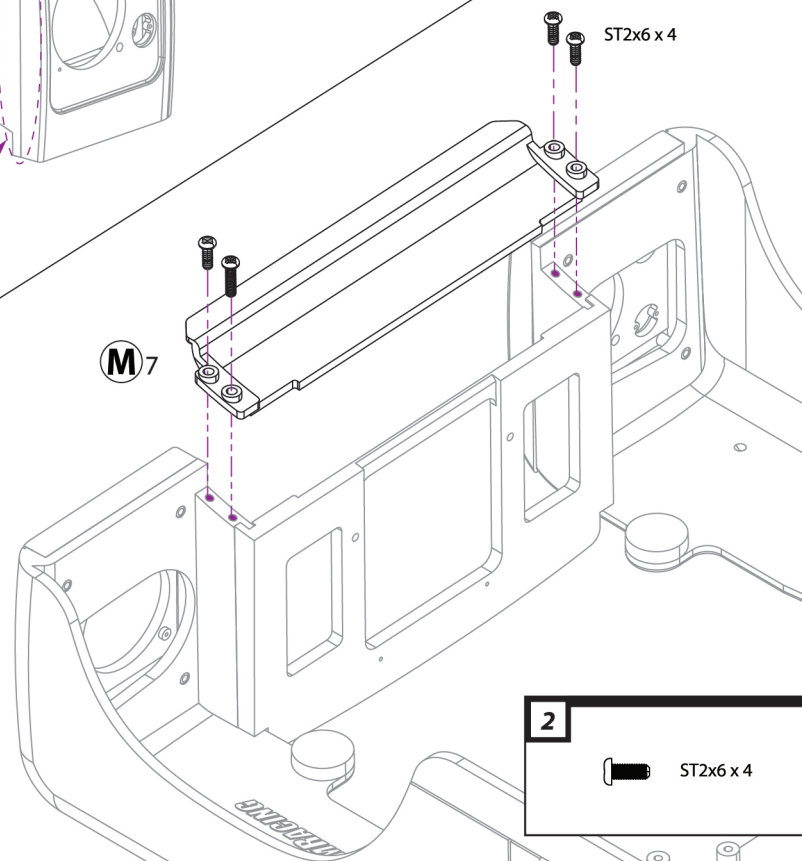


1

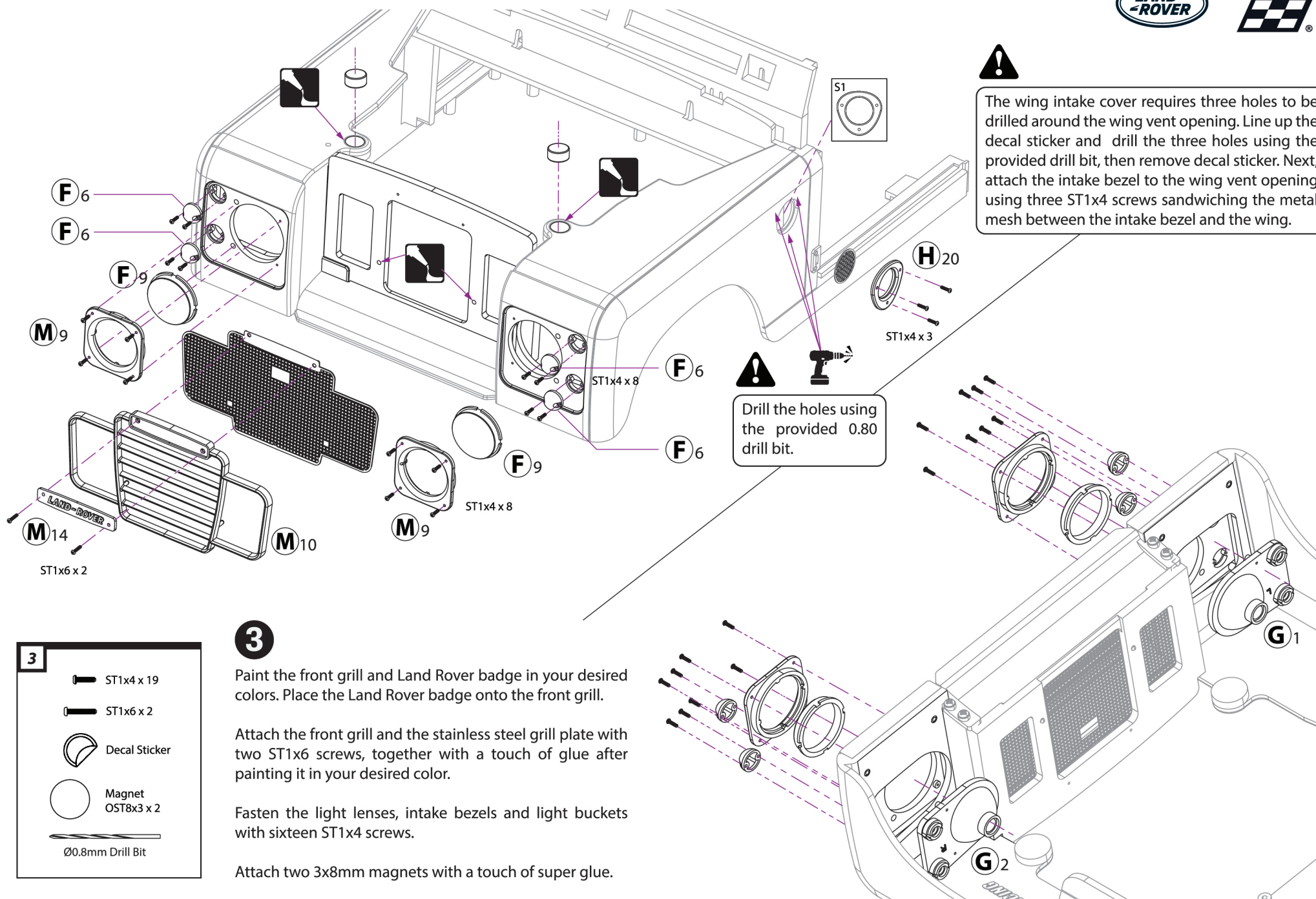
Glue the headlight panels, front grill panel and wing intake blank onto the main front body using your desired ABS plastic cement.



For the best results, we recommend using model filler (not included) to fill in these areas once they are glued together. If model filler is used, sand everything smooth before priming and painting.



2 Attach the front apron panel using four ST2x6 screws.



! The wing intake cover requires three holes to be drilled around the wing vent opening. Line up the decal sticker and drill the three holes using the provided drill bit, then remove decal sticker. Next, attach the intake bezel to the wing vent opening using three ST1x4 screws sandwiching the metal mesh between the intake bezel and the wing.

! Drill the holes using the provided 0.80 drill bit.

- 3**
- ST1x4 x 19
 - ST1x6 x 2
 - Decal Sticker
 - Magnet OST8x3 x 2
 - Ø0.8mm Drill Bit

3 Paint the front grill and Land Rover badge in your desired colors. Place the Land Rover badge onto the front grill.

Attach the front grill and the stainless steel grill plate with two ST1x6 screws, together with a touch of glue after painting it in your desired color.

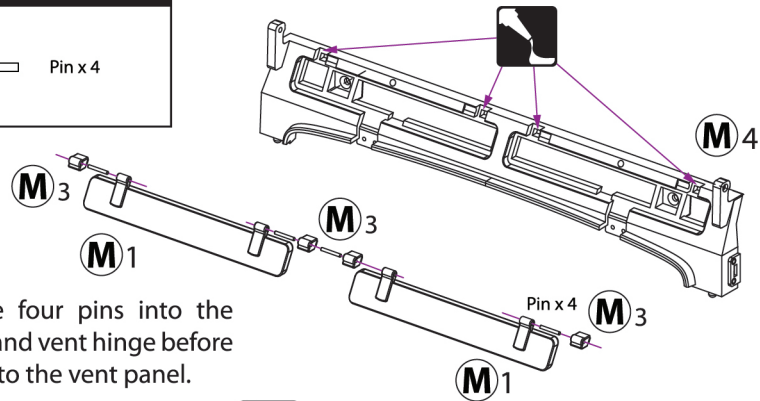
Fasten the light lenses, intake bezels and light buckets with sixteen ST1x4 screws.

Attach two 3x8mm magnets with a touch of super glue.

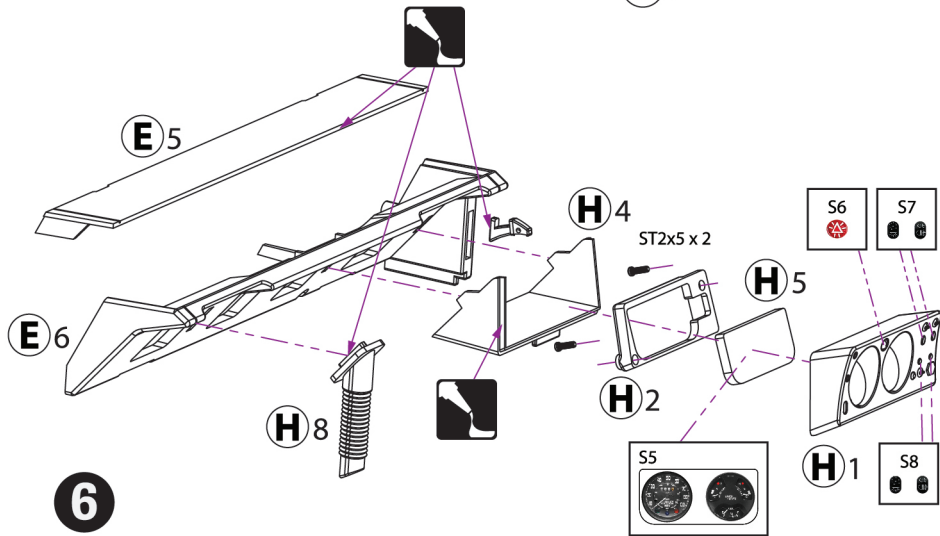
G1

G2

4
Pin x 4



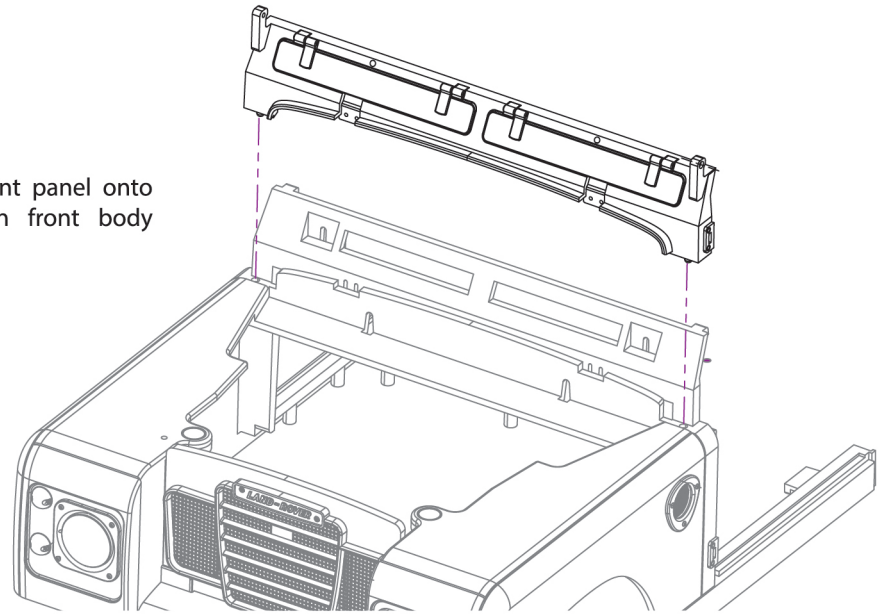
4
Insert the four pins into the vent flap and vent hinge before gluing onto the vent panel.



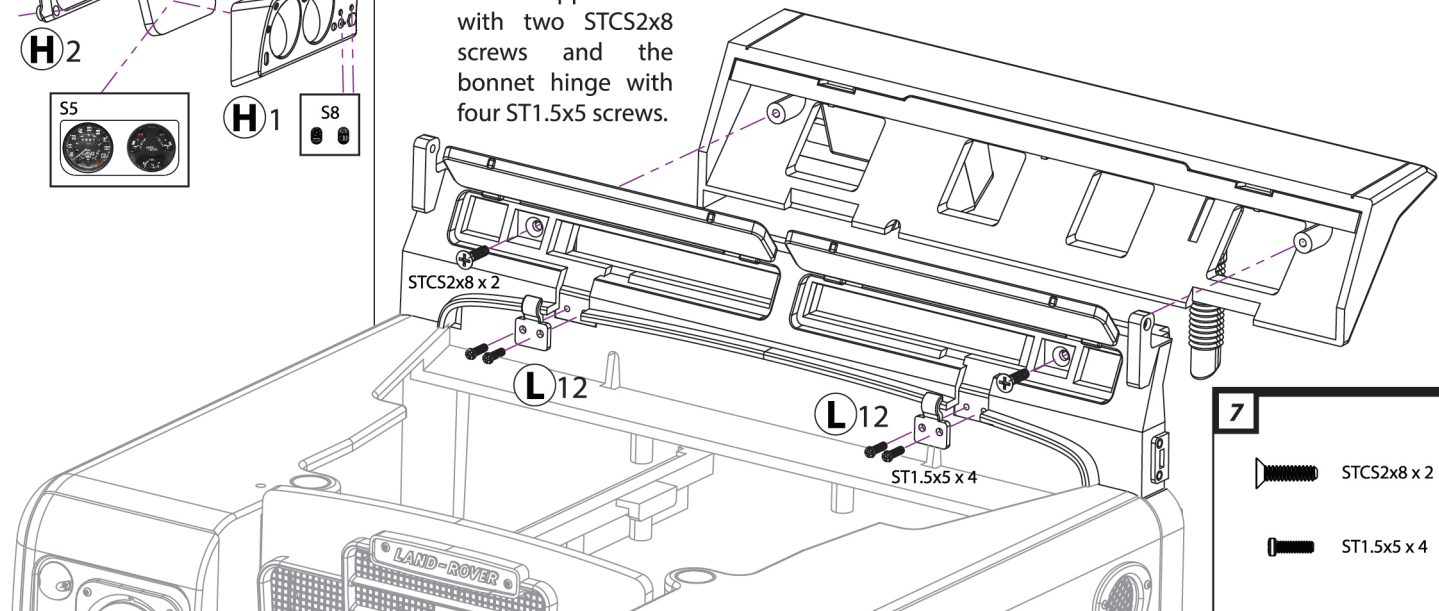
6
Glue the parts onto the upper dash as indicated and apply decal stickers to the instrument panel. Use two ST2x5 screws to fasten the instrument panel down.

6
ST2x5 x 2
Decal Sticker

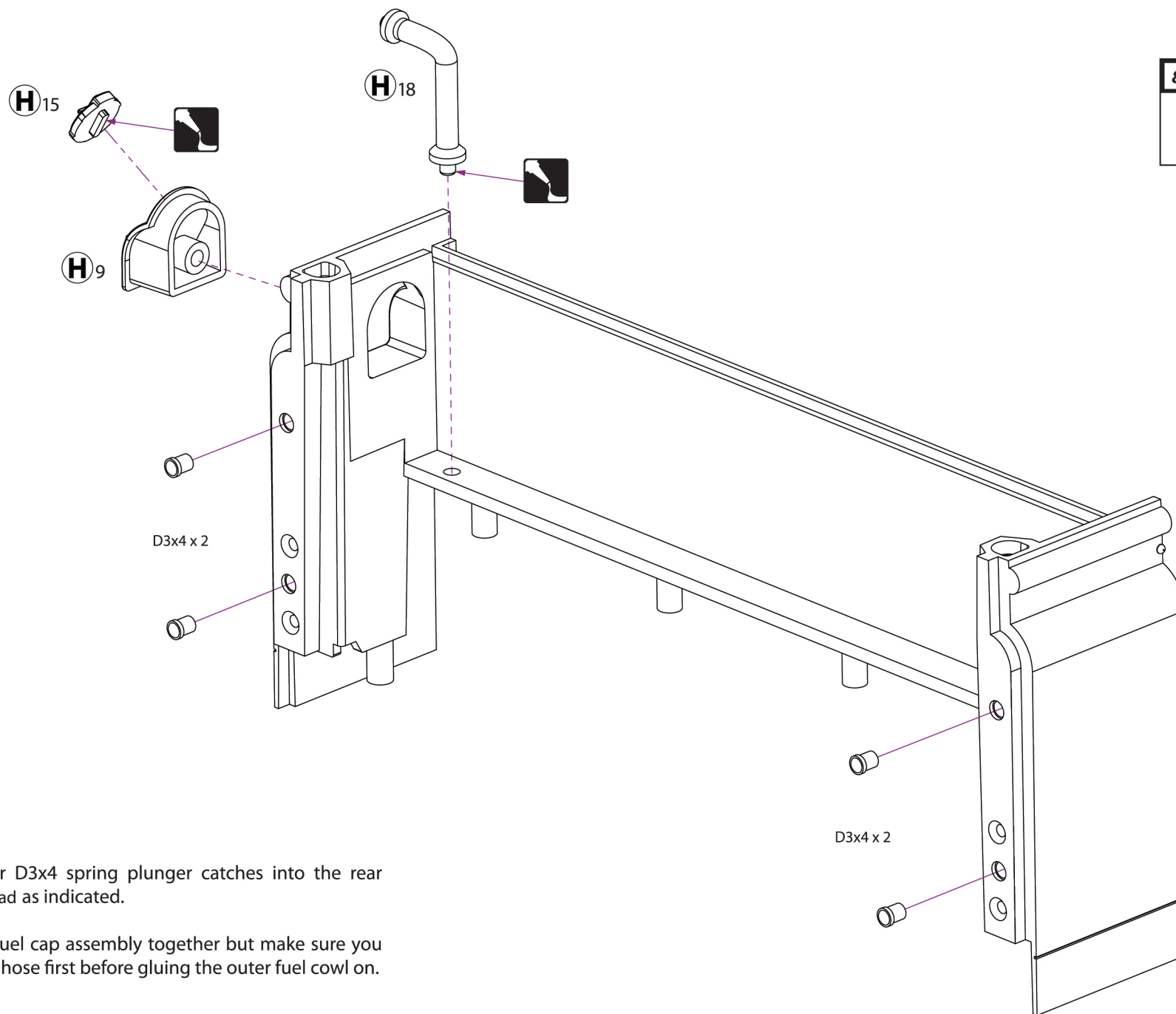
5
Insert vent panel onto the main front body section.



7
Attach upper dash with two STCS2x8 screws and the bonnet hinge with four ST1.5x5 screws.



7
STCS2x8 x 2
ST1.5x5 x 4



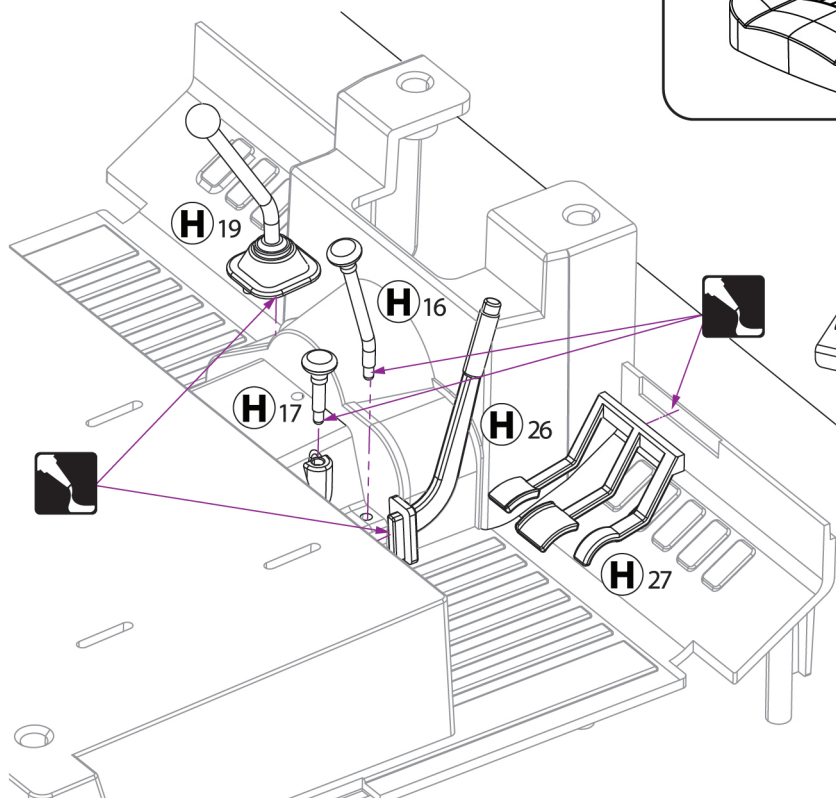
8

Insert four D3x4 spring plunger catches into the rear cab bulkhead as indicated.

Glue the fuel cap assembly together but make sure you install the hose first before gluing the outer fuel cowl on.

9

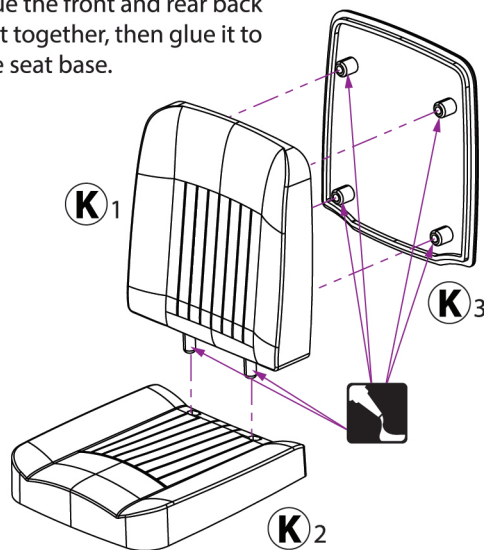
Attach the gear stick, hi/low stick, 2WD/4WD stick, handbrake and foot pedals with a touch of glue to the interior floor panel.



10

Glue the front and rear back rest together, then glue it to the seat base.

x3

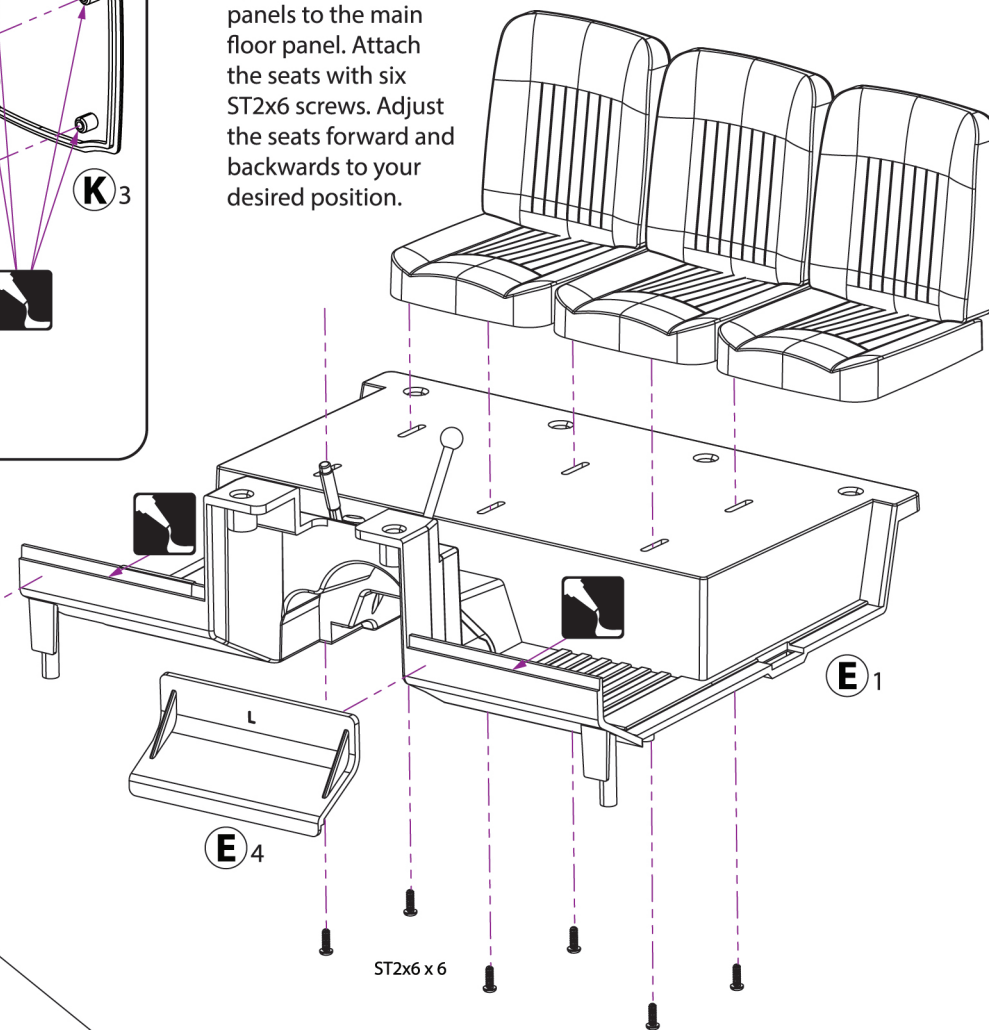


11

Glue the left and right front floor panels to the main floor panel. Attach the seats with six ST2x6 screws. Adjust the seats forward and backwards to your desired position.

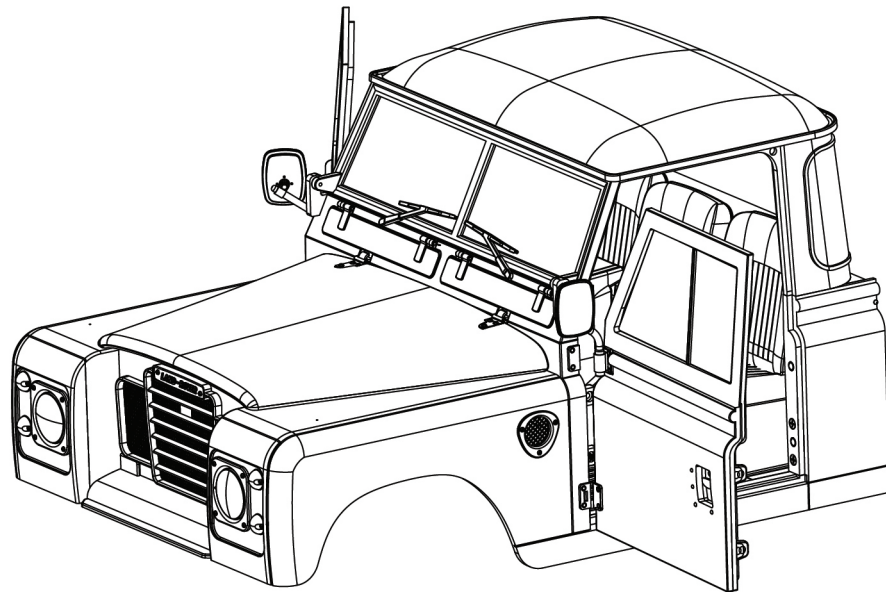
11

ST2x6 x 6



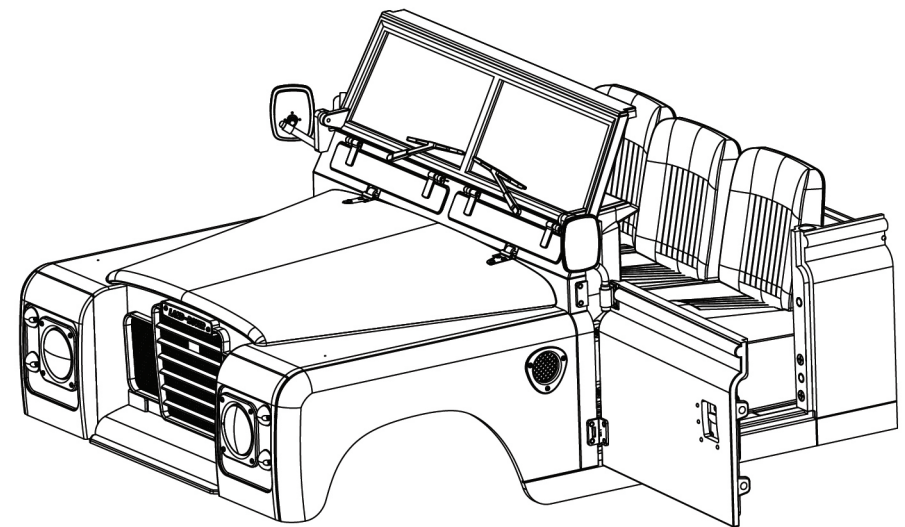


ARE YOU BUILDING A HARDTOP OR CONVERTIBLE TRUCK?



HARDTOP

P. 14



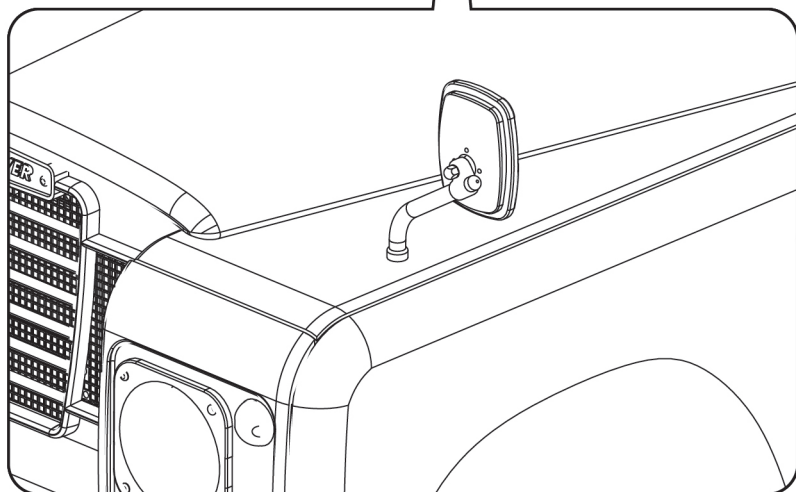
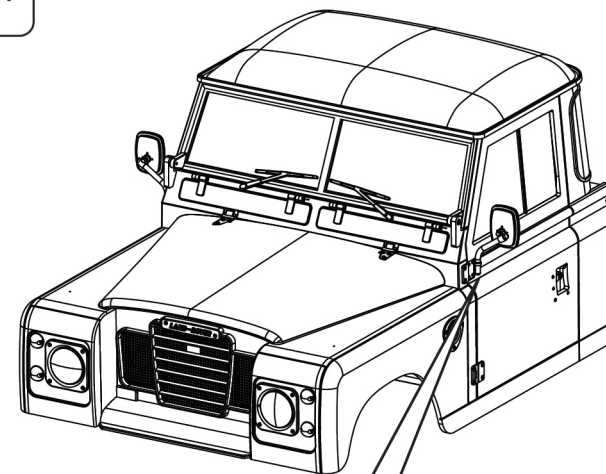
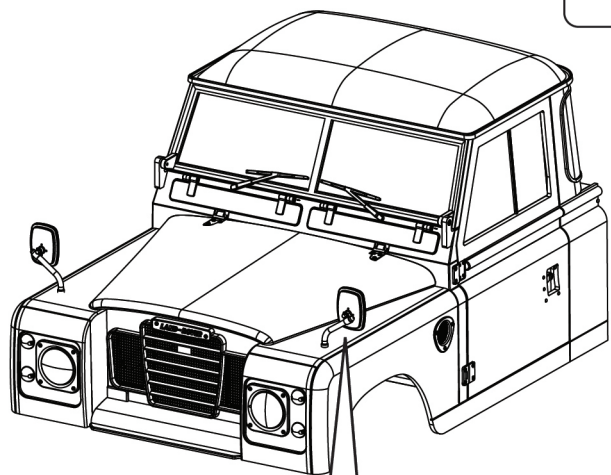
CONVERTIBLE

P. 24

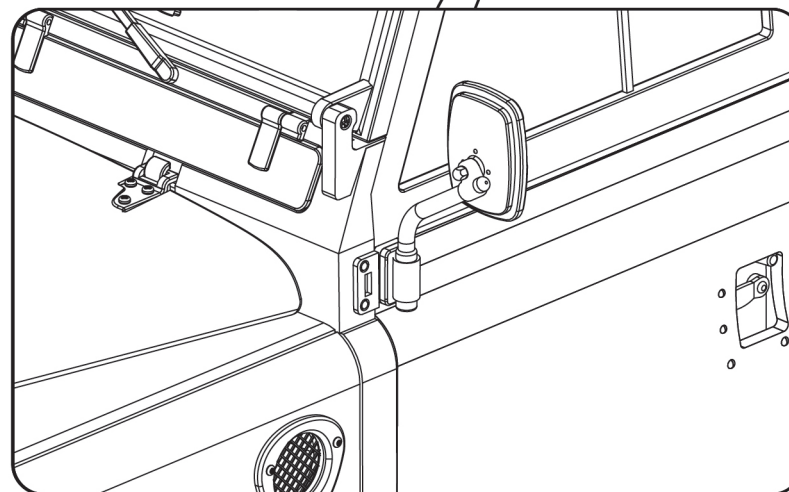
Continue to the next page if hardtop. Skip to page 24 if convertible.



PICK YOUR SIDE MIRROR LOCATION



FENDER MIRRORS



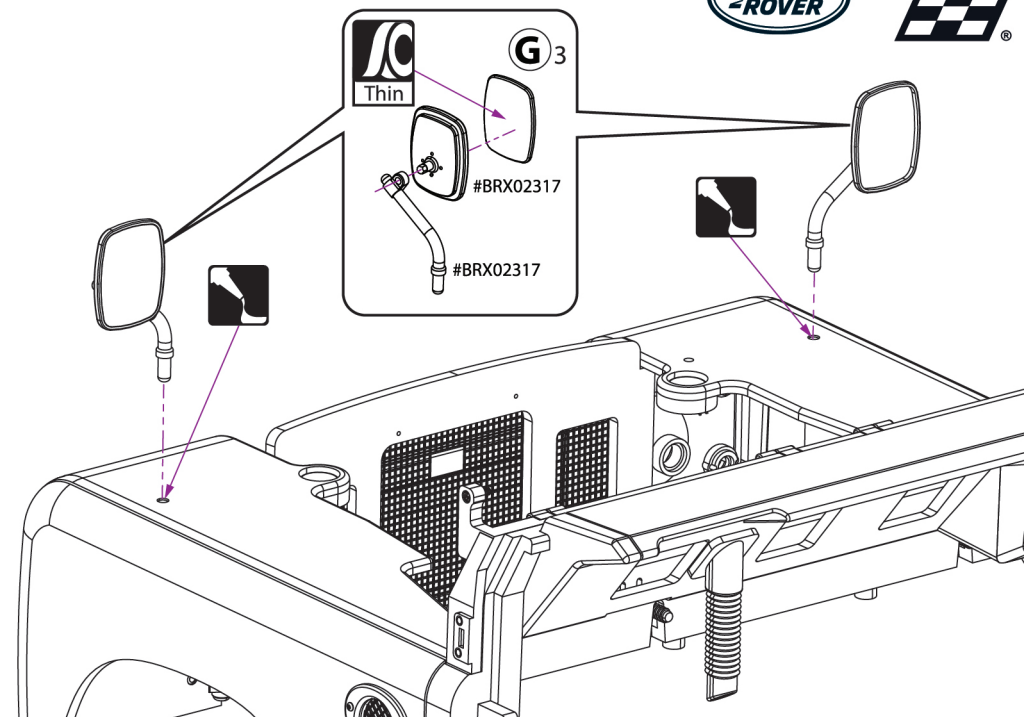
DOOR MIRRORS

FENDER MIRRORS



11

Drill two 2.4mm holes into the front main body from underneath as indicated. Use the provided double-sided tape (thin) to stick the mirror plate to the rubber mirror head and push the head into the mirror arm. Push the mirror arm into the holes that are drilled. Then glue from the bottom into position. Repeat on the other side.



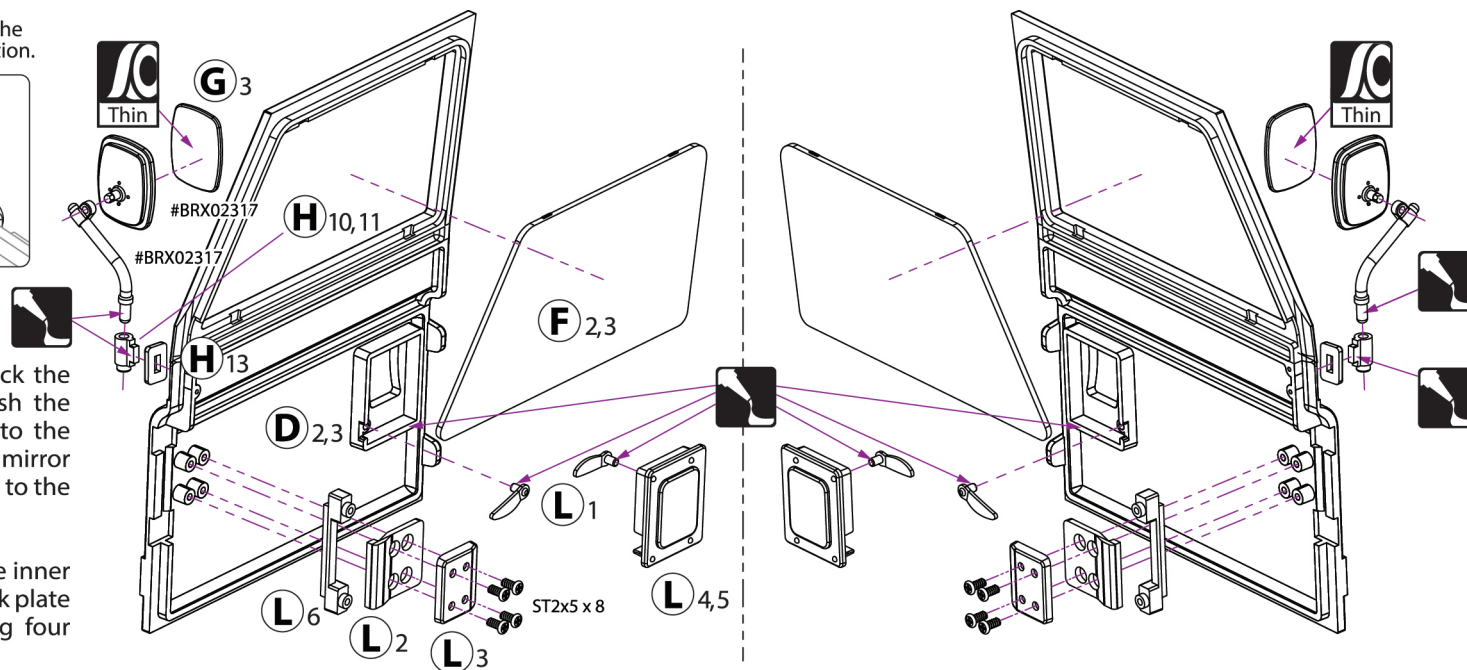
DOOR MIRRORS



12

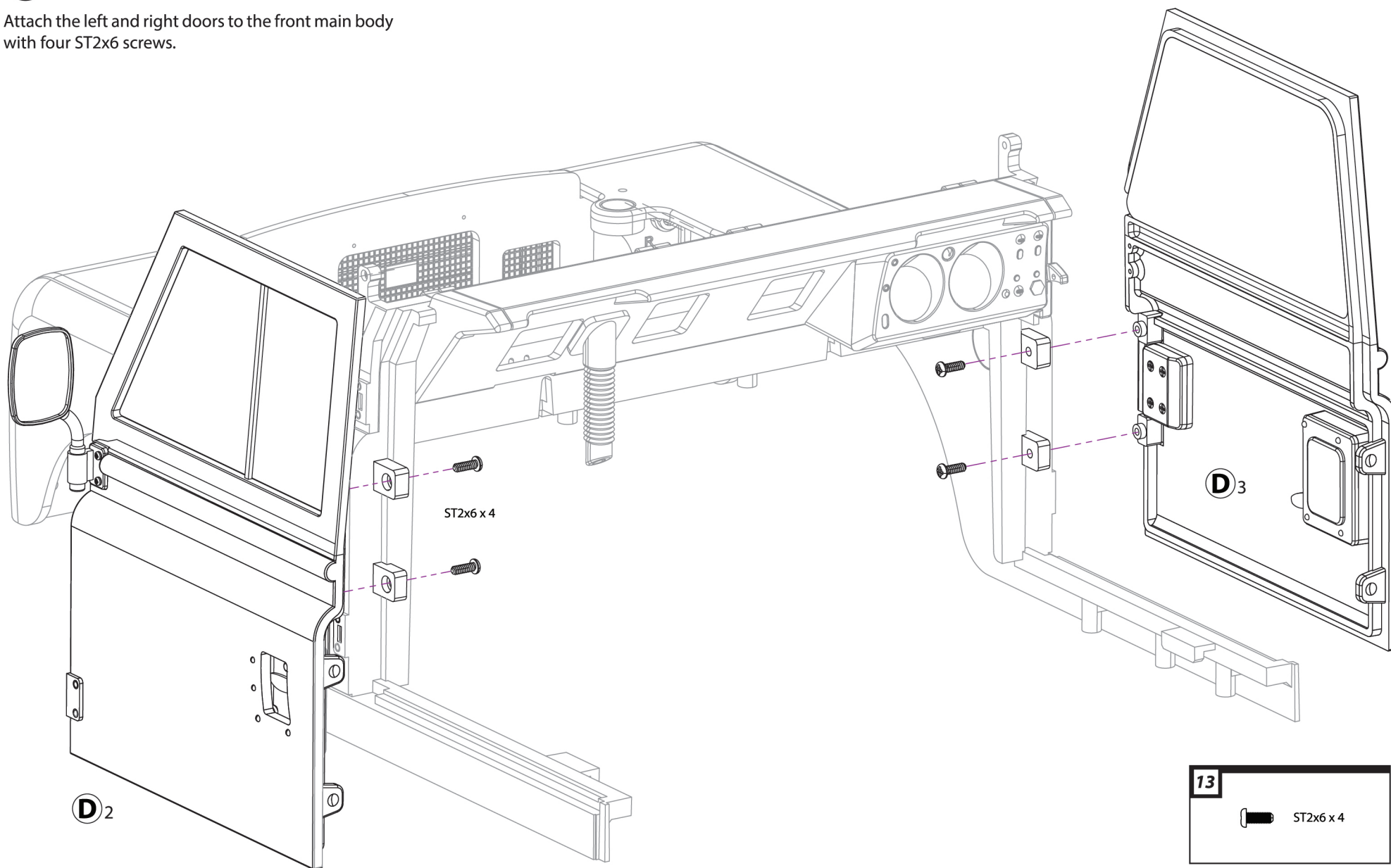
Use the provided double-sided tape (thin) to stick the mirror plate to the rubber mirror head and push the head into the mirror arm. Glue the mirror arm to the mirror arm holder. Next, glue the assembly to the mirror retaining plate, and then glue the whole assembly to the door. Repeat for the other side.

Clip the clear side window into position. Insert the inner and outer door handles into the door and door lock plate and glue into position. Attach door hinge using four ST2x5 screws. Repeat on the other side.



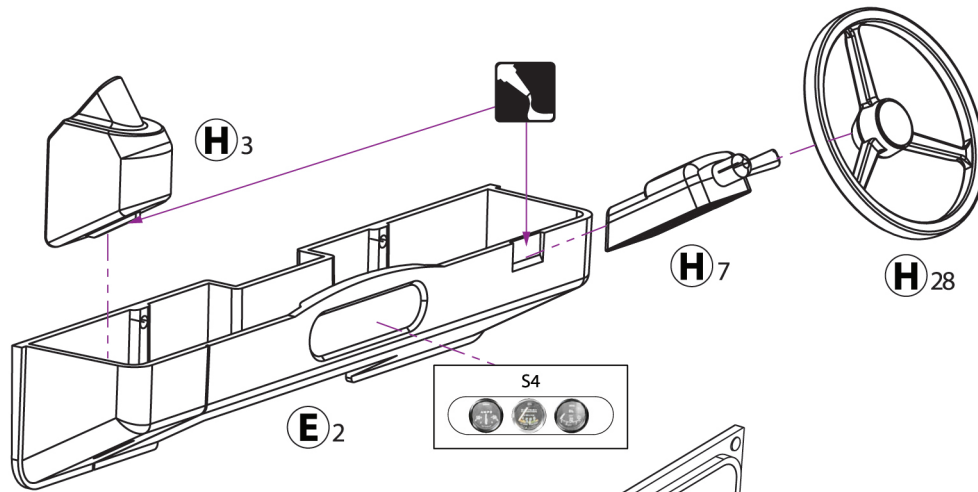
13

Attach the left and right doors to the front main body with four ST2x6 screws.



HARD TOP

HARD TOP

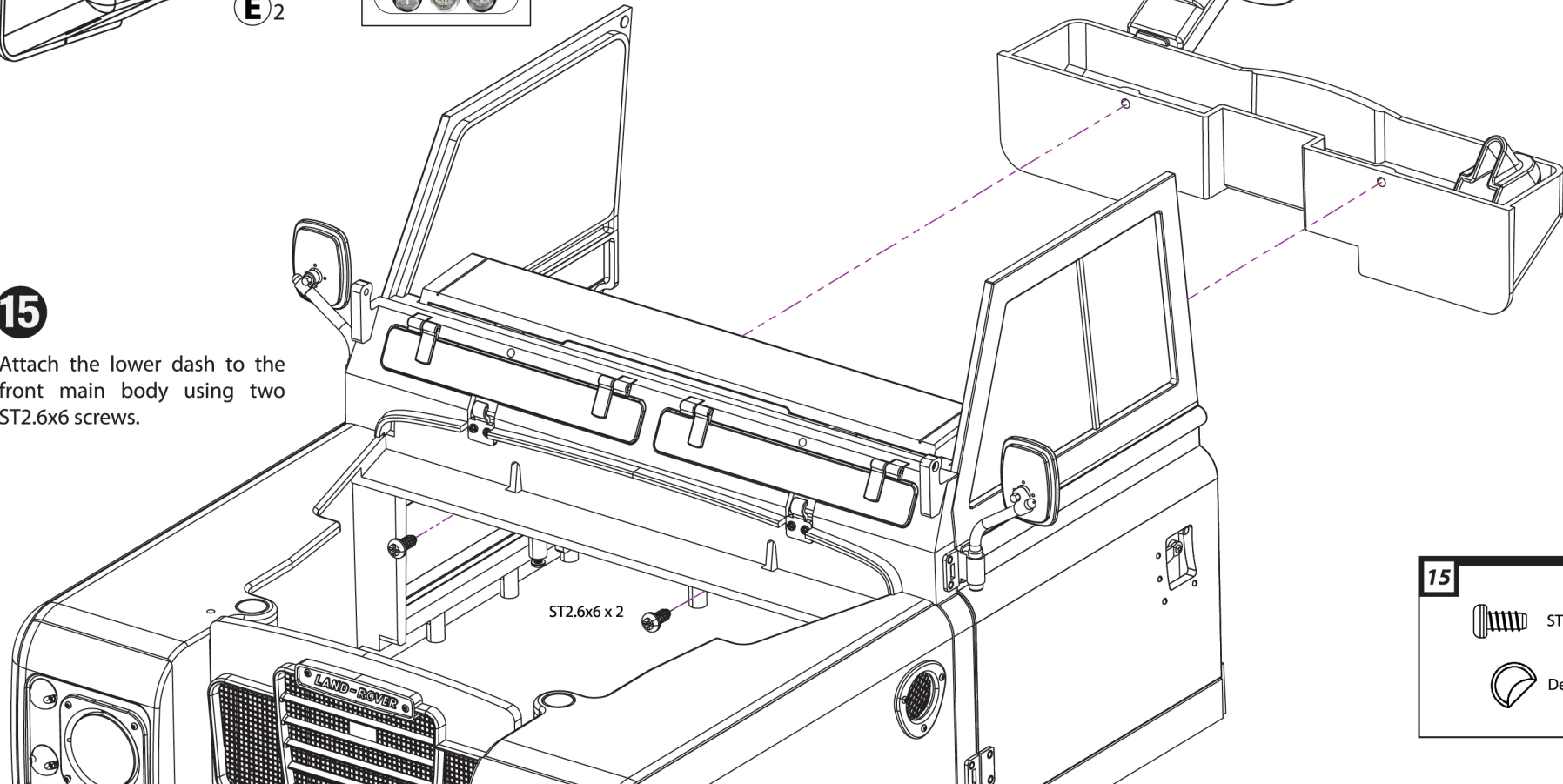


14

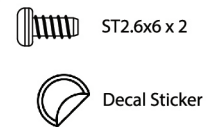
Glue the wiper cable cover and the steering column to the lower dash. Push the steering wheel onto the steering column and attach decal sticker.

15

Attach the lower dash to the front main body using two ST2.6x6 screws.

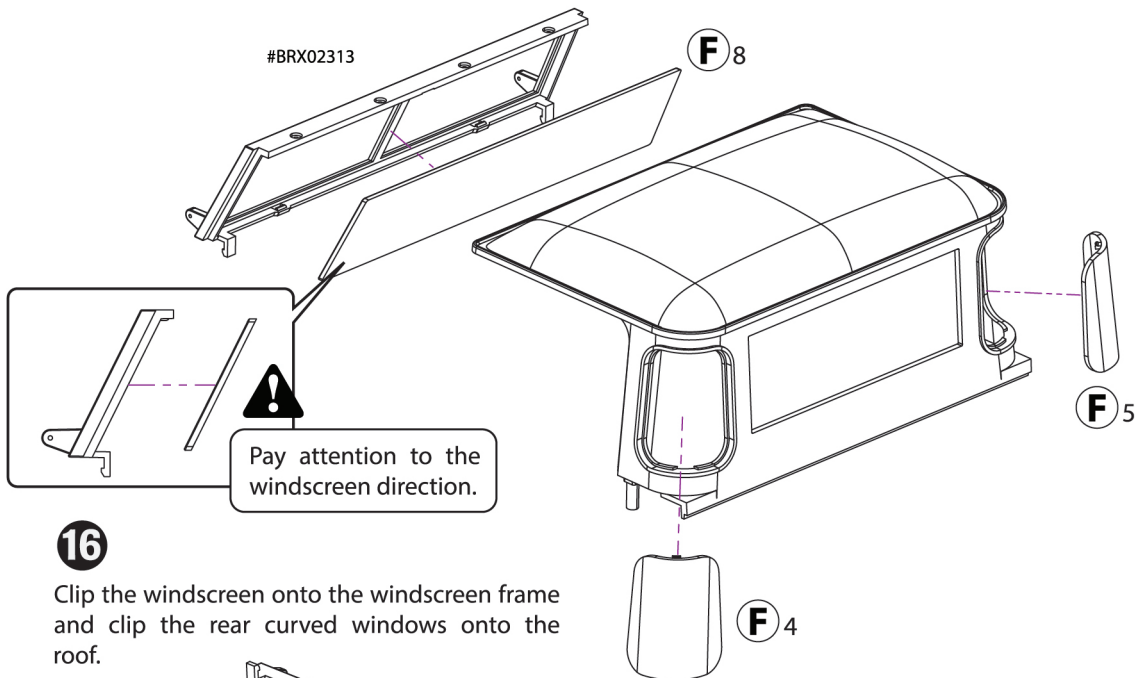


15



#BRX02313

F 8



Pay attention to the windscreen direction.

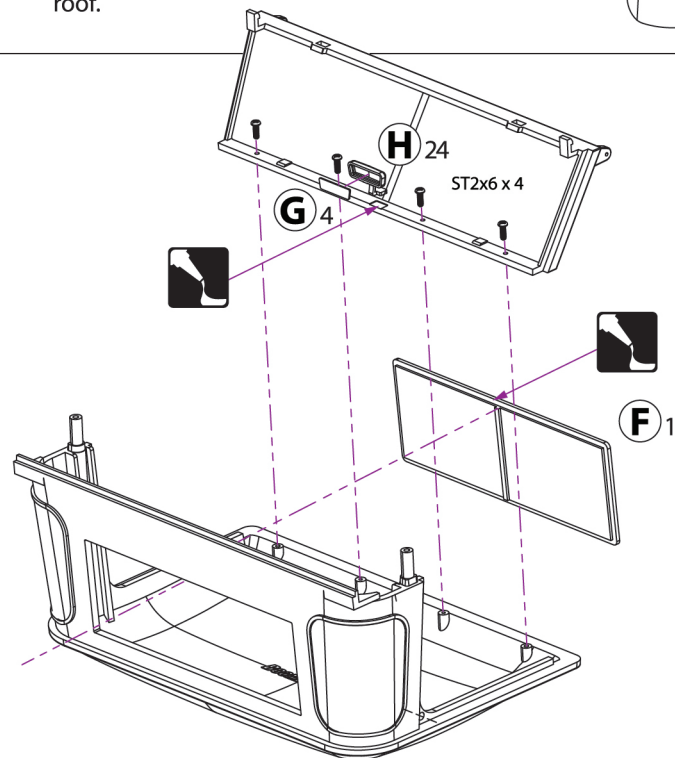
16

Clip the windscreen onto the windscreen frame and clip the rear curved windows onto the roof.

F 4

17

ST2x6 x 4

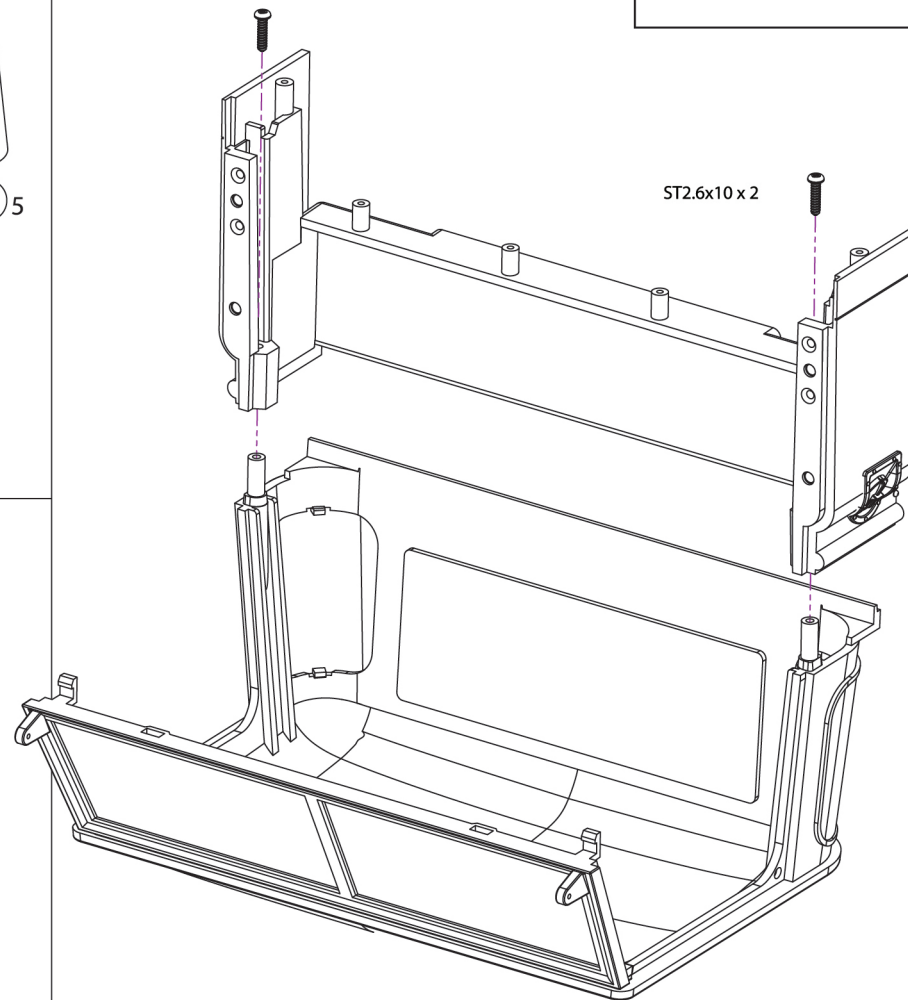


17

Glue the rear window onto the roof and the interior mirror onto the windscreen frame. Attach the frame to the pickup roof using four ST2x6 screws.

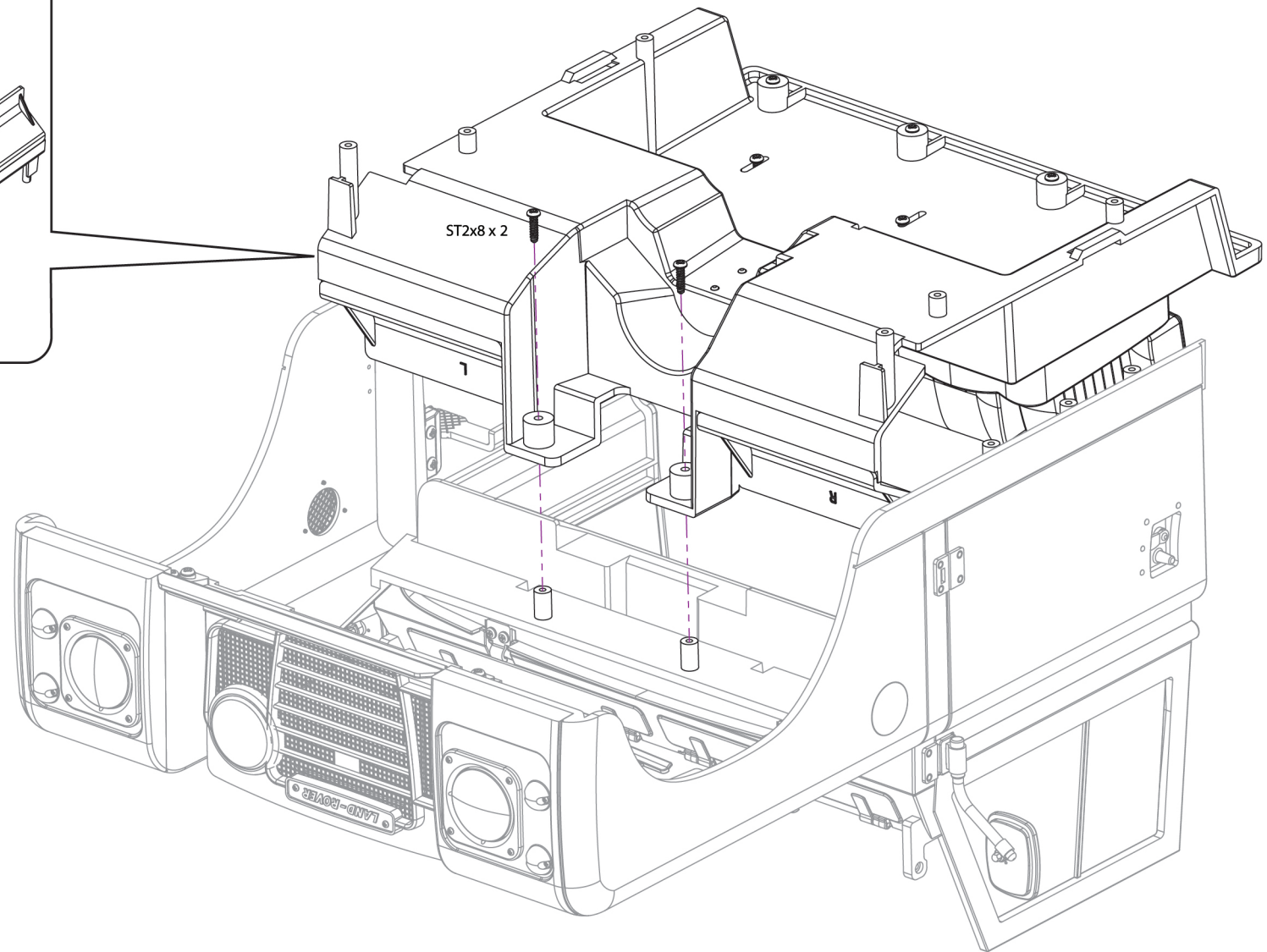
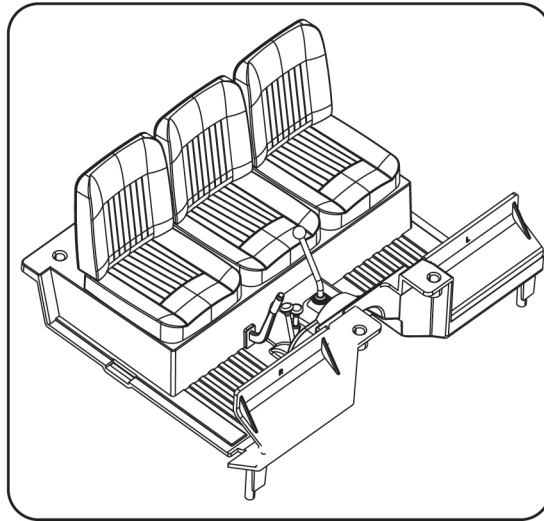
18

ST2.6x10 x 2




18

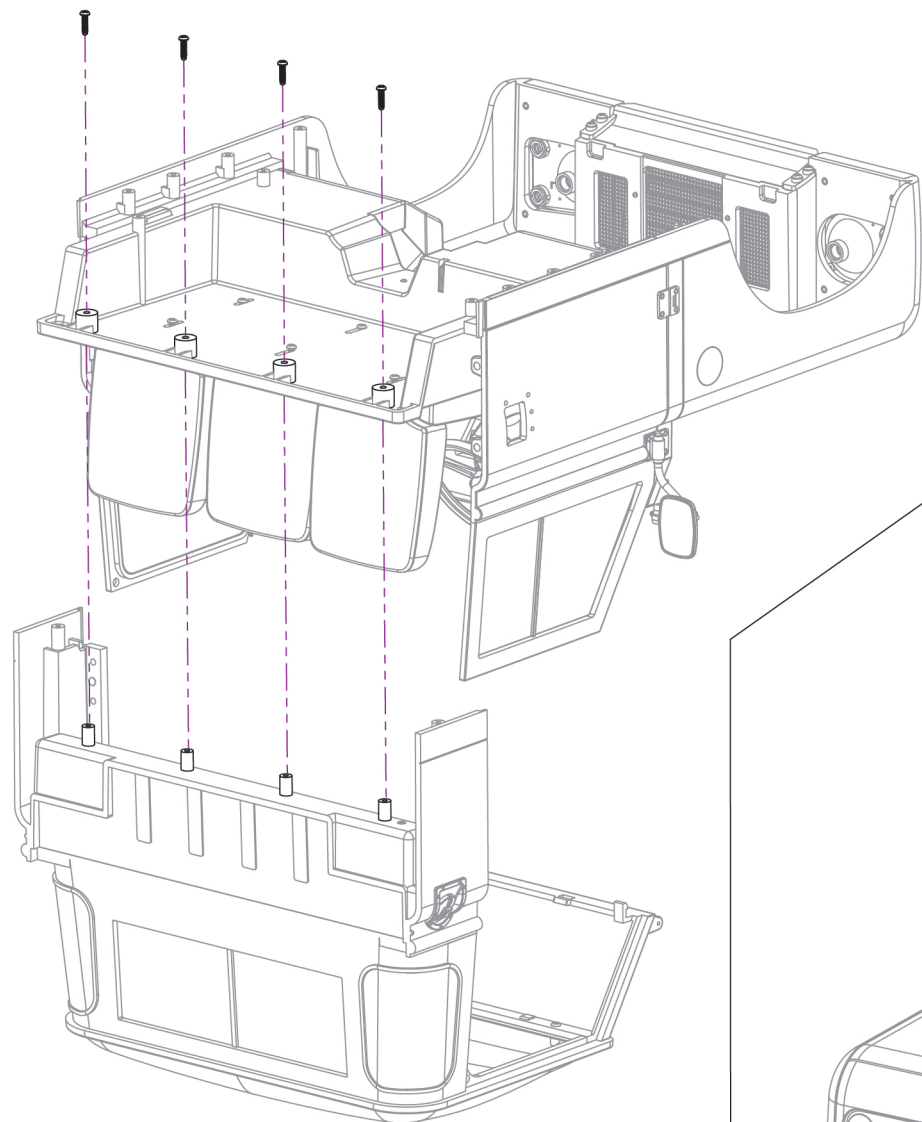
Insert the roof into the rear cab bulkhead and tighten it down with two ST2.6x10 screws.



- 19** Line up the front main body with the interior floor panel and tighten down with two ST2x8 screws.

19

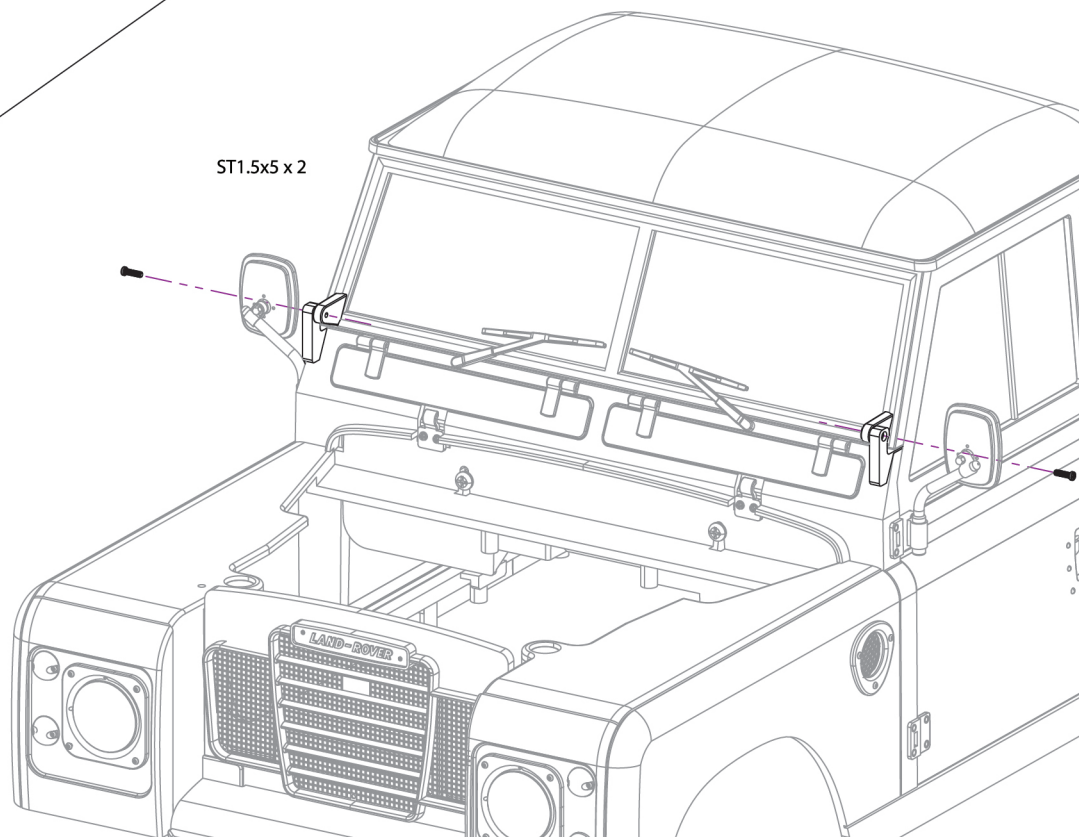
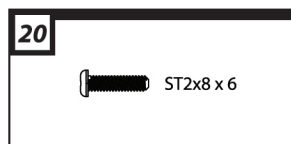
 ST2x8 x 2



20 Line up the front main body with the rear body piece and the roof and tighten down with four ST2x8 screws.



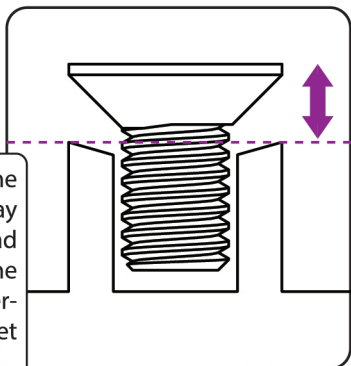
21 Attach the windscreen frame to the vent panel hinge mounts with two ST1.5x5 screws.



Use the two STCS3x6 screws to adjust the height of the bonnet and how tight the latch to the magnet.



Do not tighten the screws all the way down. The head must not pass the dotted line, otherwise the bonnet can be damaged.

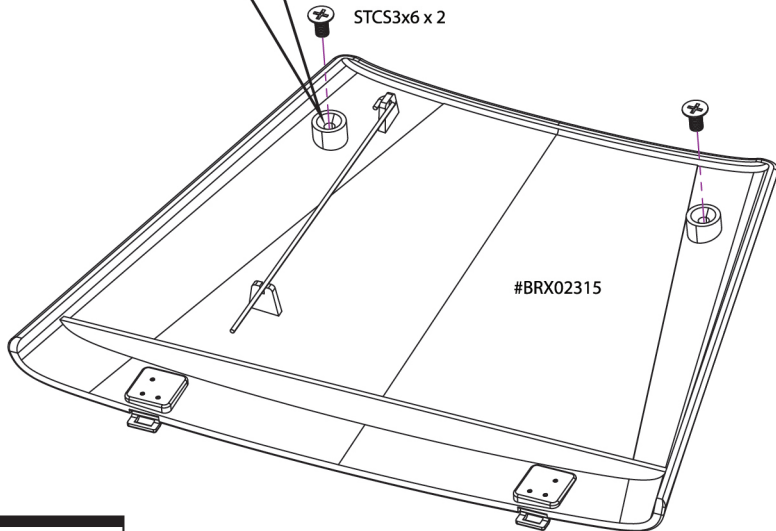


ST1.2x4 x 6

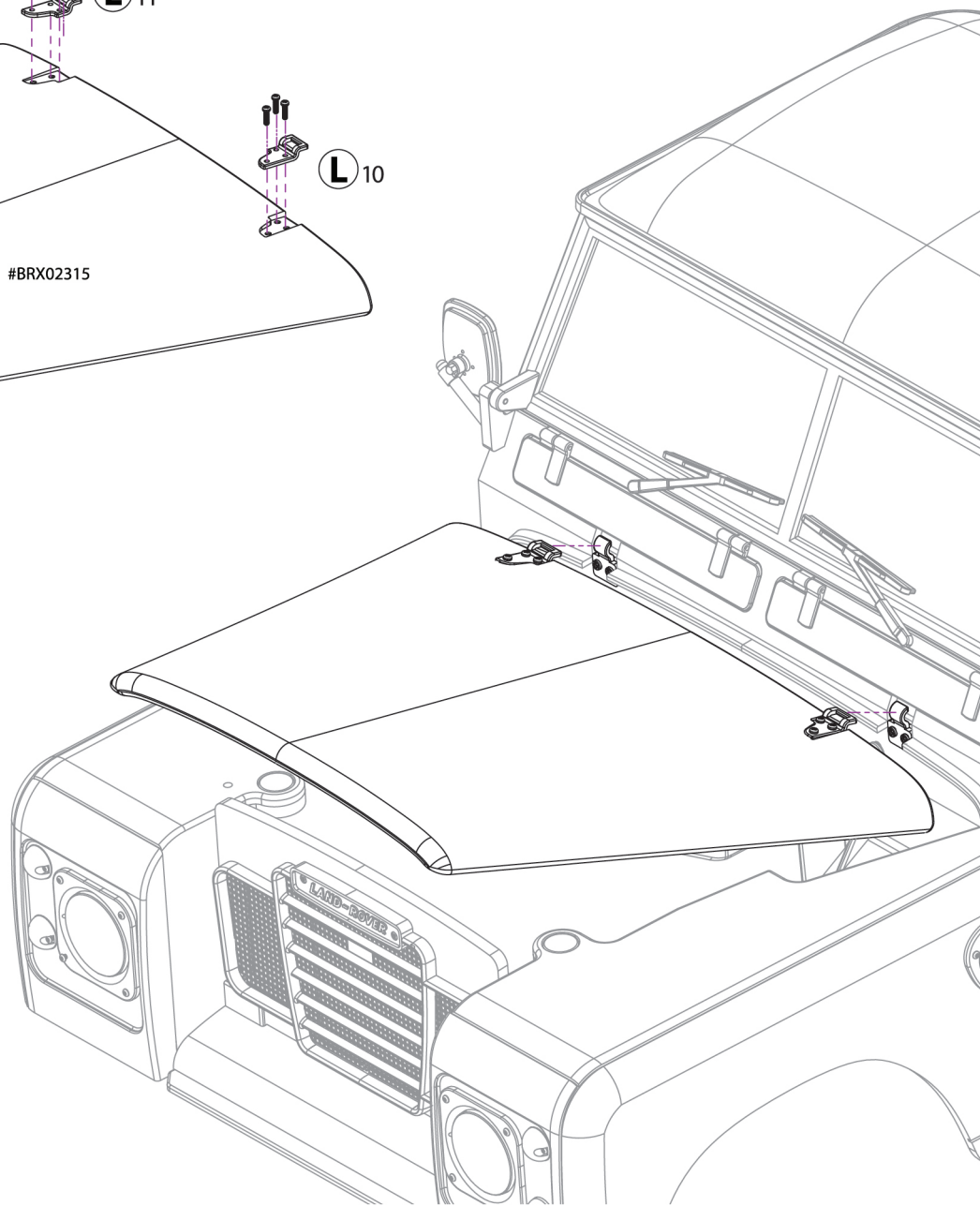


#BRX02315

STCS3x6 x 2



#BRX02315



22

ST1.2x4 x 6

STCS3x6 x 2

22

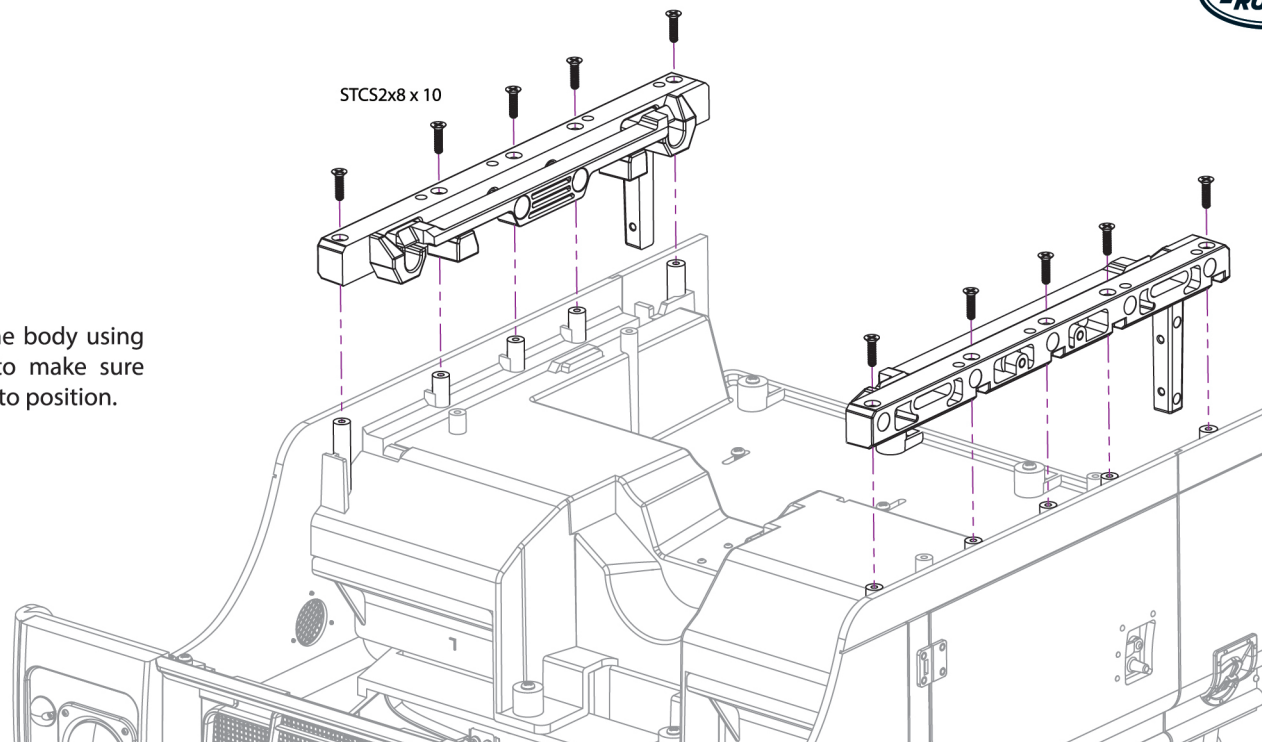
Attach the left and right bonnet hinge to the bonnet with six ST1.2x4 screws and two STCS3x6 screws into the bonnet.

23

 STCS2x8 x 10

23

Attach the brace to the body using ten STCS2x8 screws to make sure everything is locked into position.

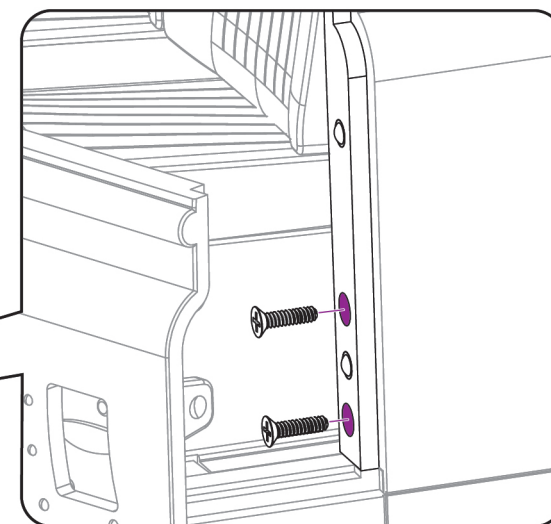
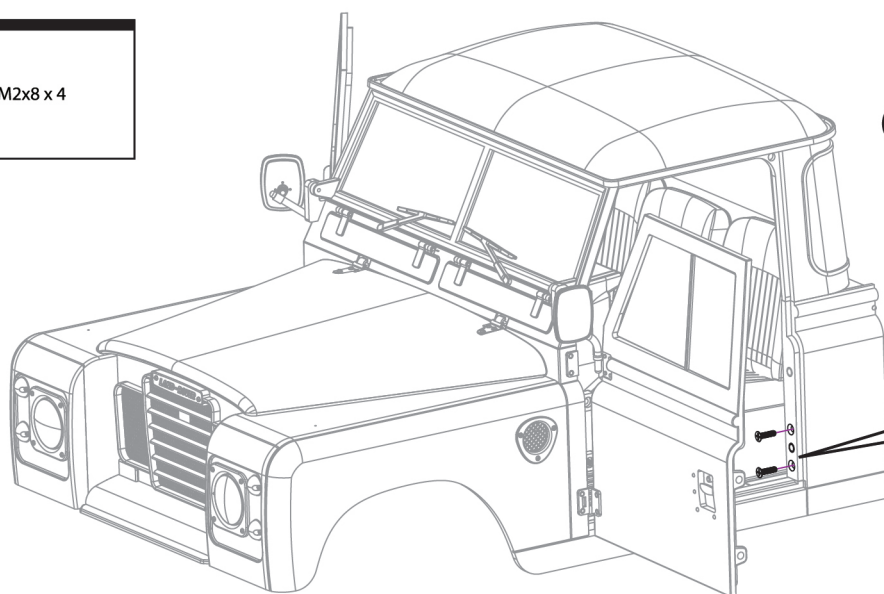


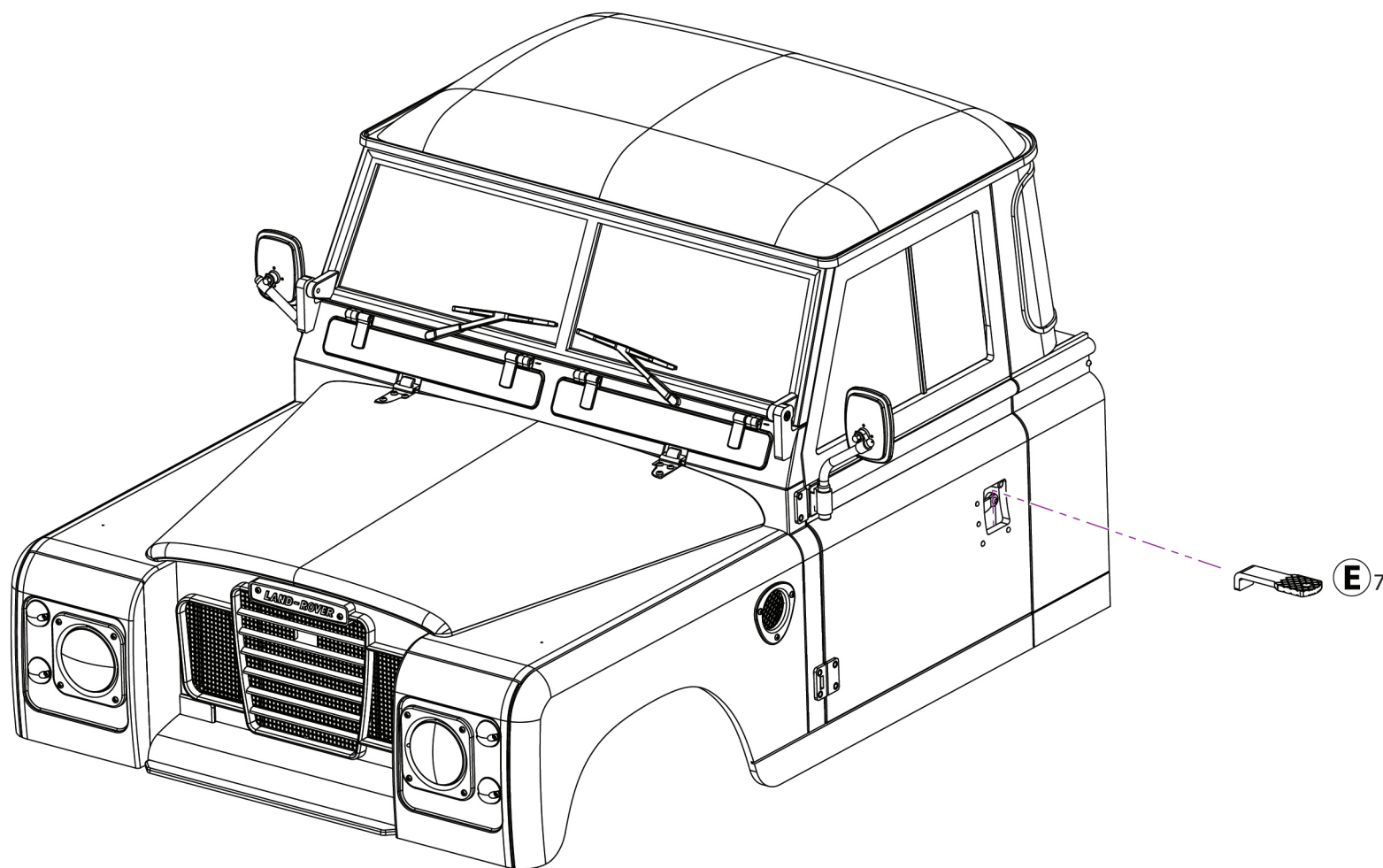
24

 M2x8 x 4

24

Open the doors and fasten two M2x8CS screws on each side into the body brace.

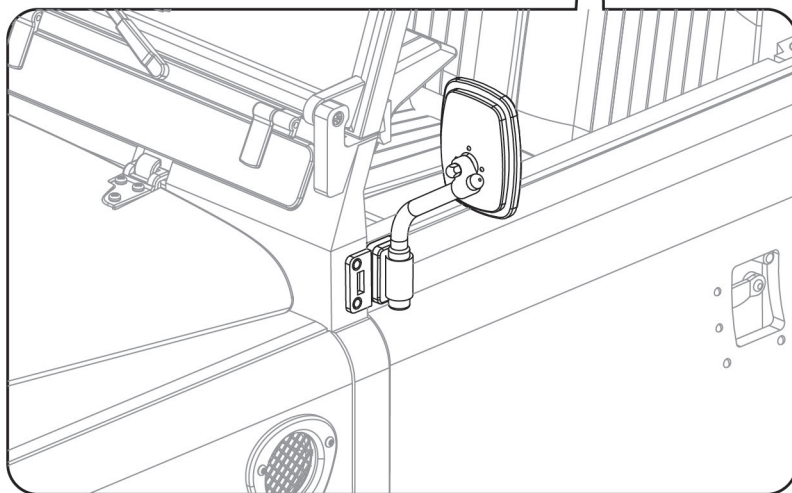
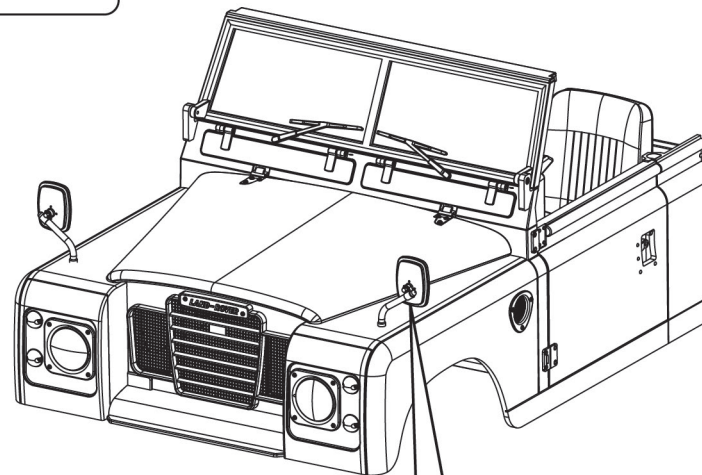
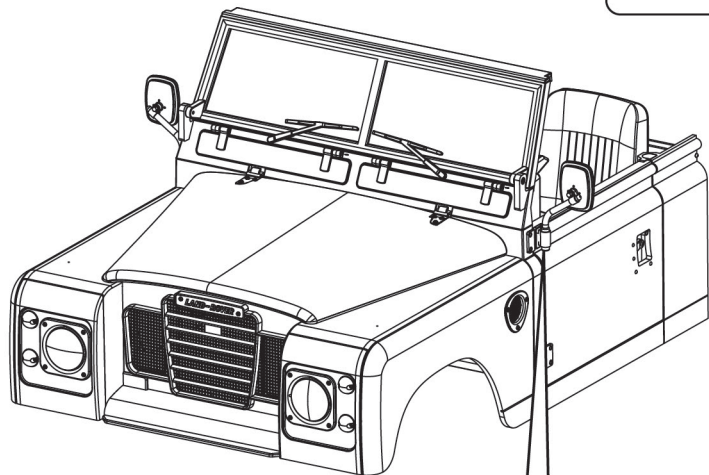




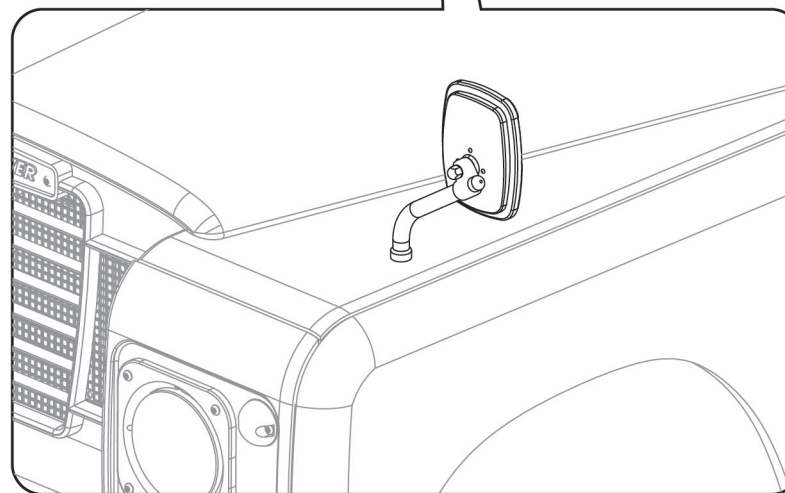
- 25** Use the door key and hook it onto the door to pull the door open.



PICK YOUR SIDE MIRROR LOCATION

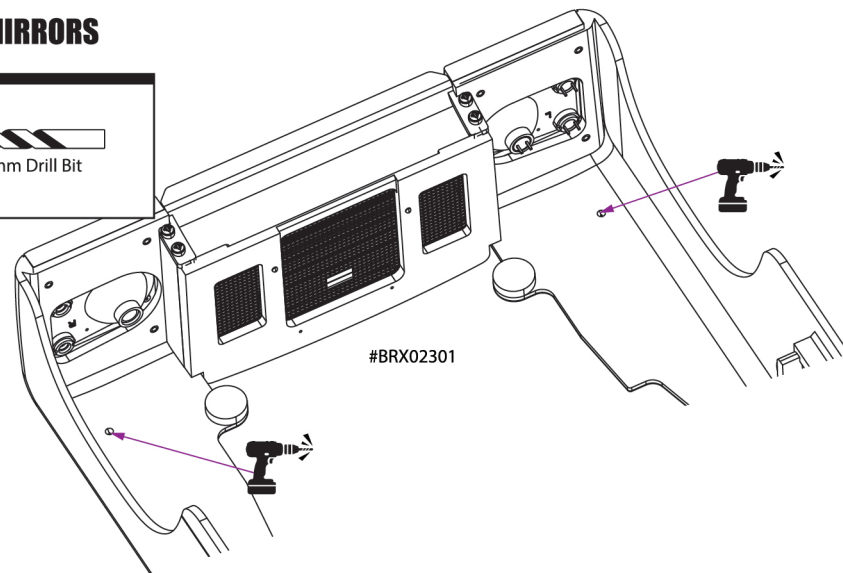


FENDER MIRRORS



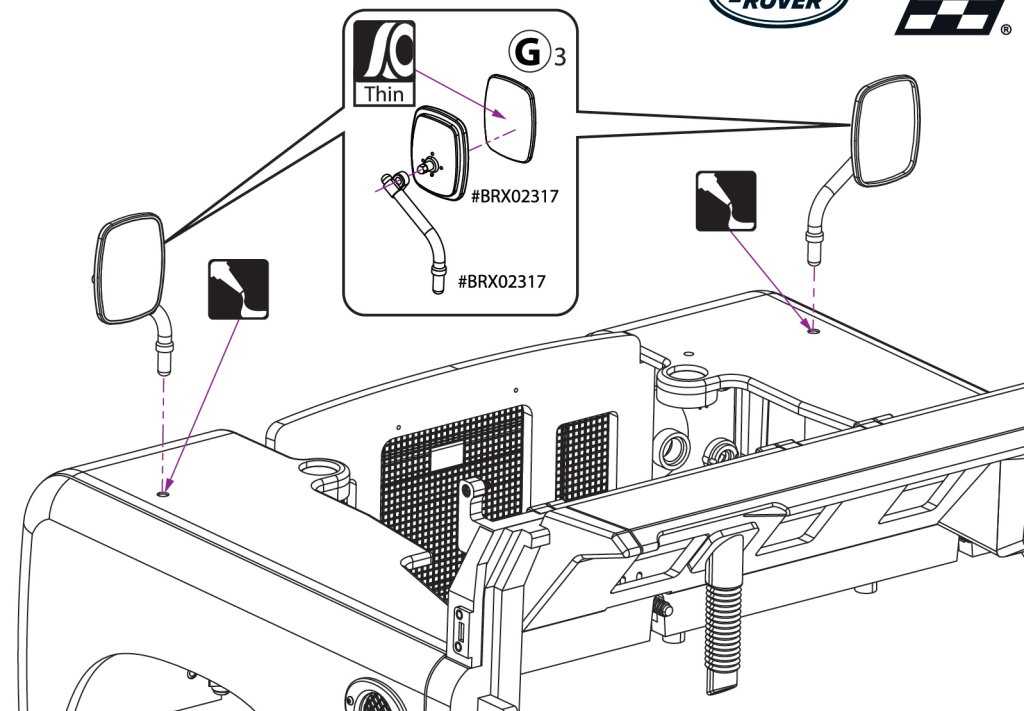
DOOR MIRRORS

FENDER MIRRORS



12

Drill two 2.4mm holes into the front main body from underneath as indicated. Use the provided double-sided tape (thin) to stick the mirror plate to the rubber mirror head and push the head into the mirror arm. Push the mirror arm into the holes that are drilled. Then glue from the bottom into position. Repeat on the other side.



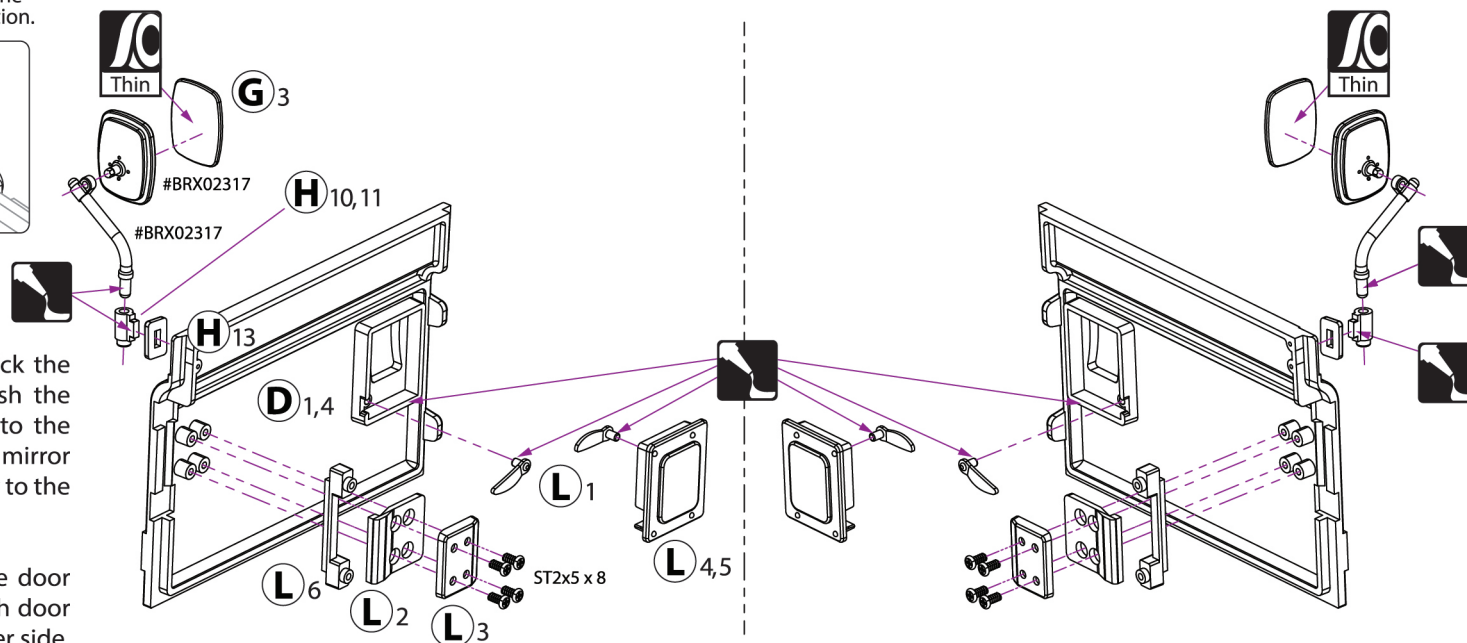
DOOR MIRRORS



12

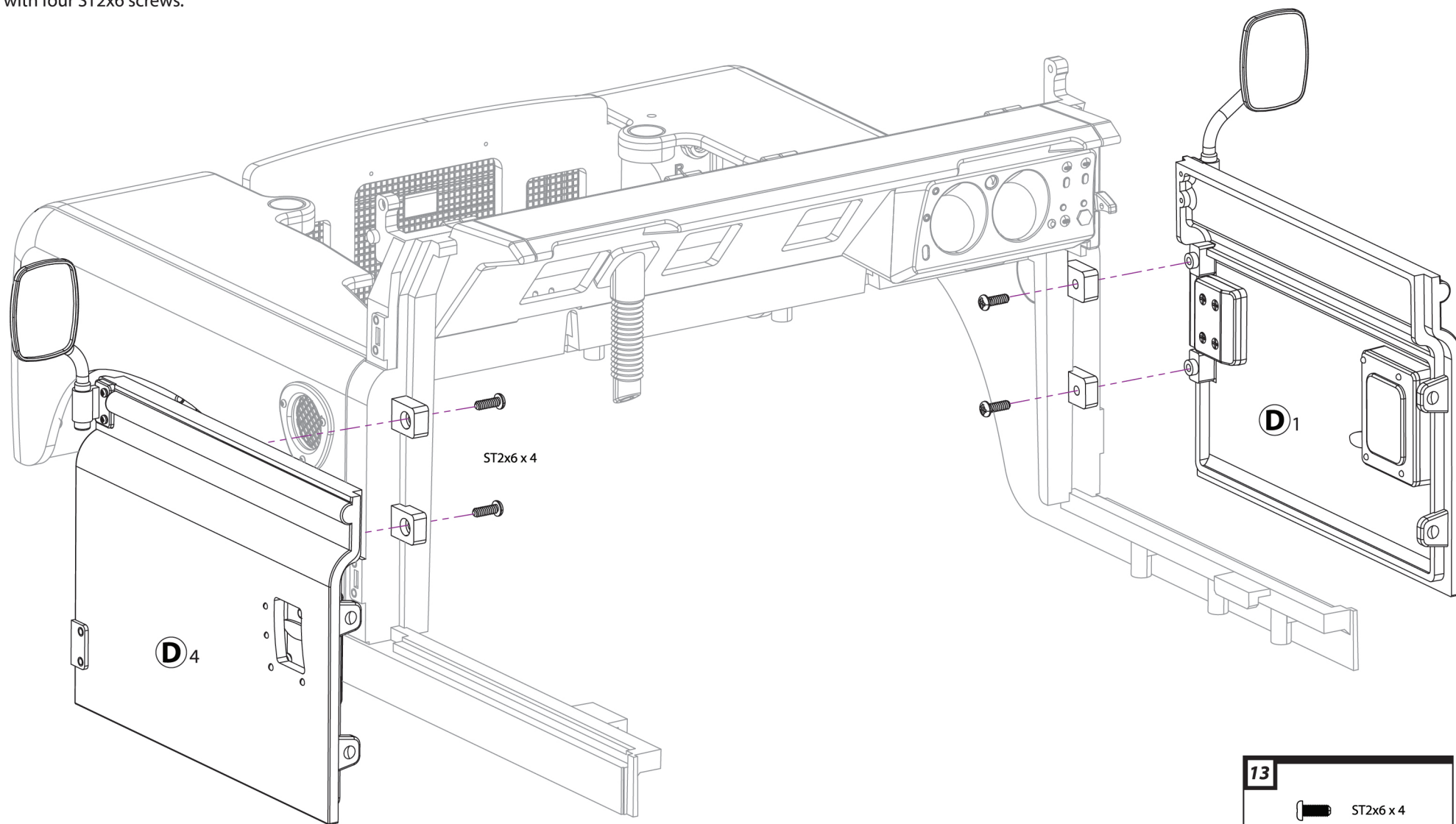
Use the provided double-sided tape (thin) to stick the mirror plate to the rubber mirror head and push the head into the mirror arm. Glue the mirror arm to the mirror arm holder. Next, glue the assembly to the mirror retaining plate, and then glue the whole assembly to the door. Repeat for the other side.

Insert the inner and outer door handles into the door and door lock plate and glue into position. Attach door hinge using four ST2x5 screws. Repeat on the other side.



13

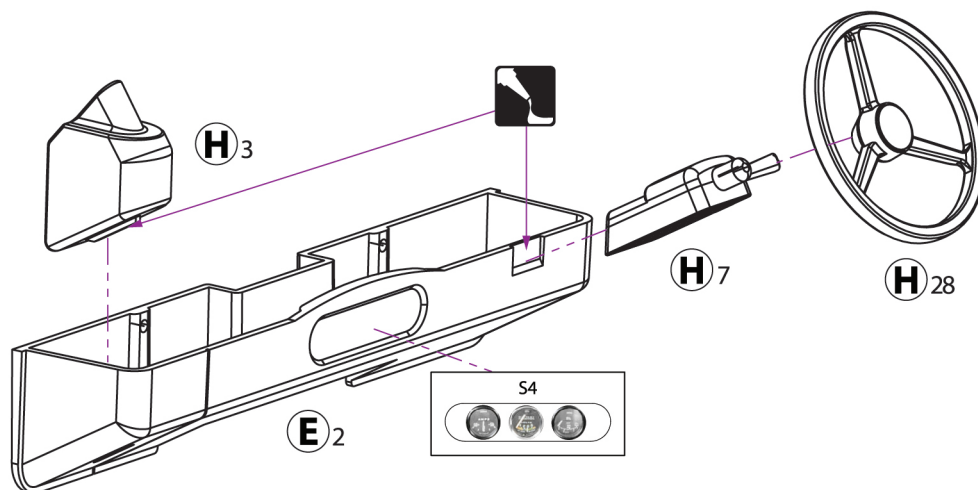
Attach the left and right doors to the front main body with four ST2x6 screws.



13



ST2x6 x 4

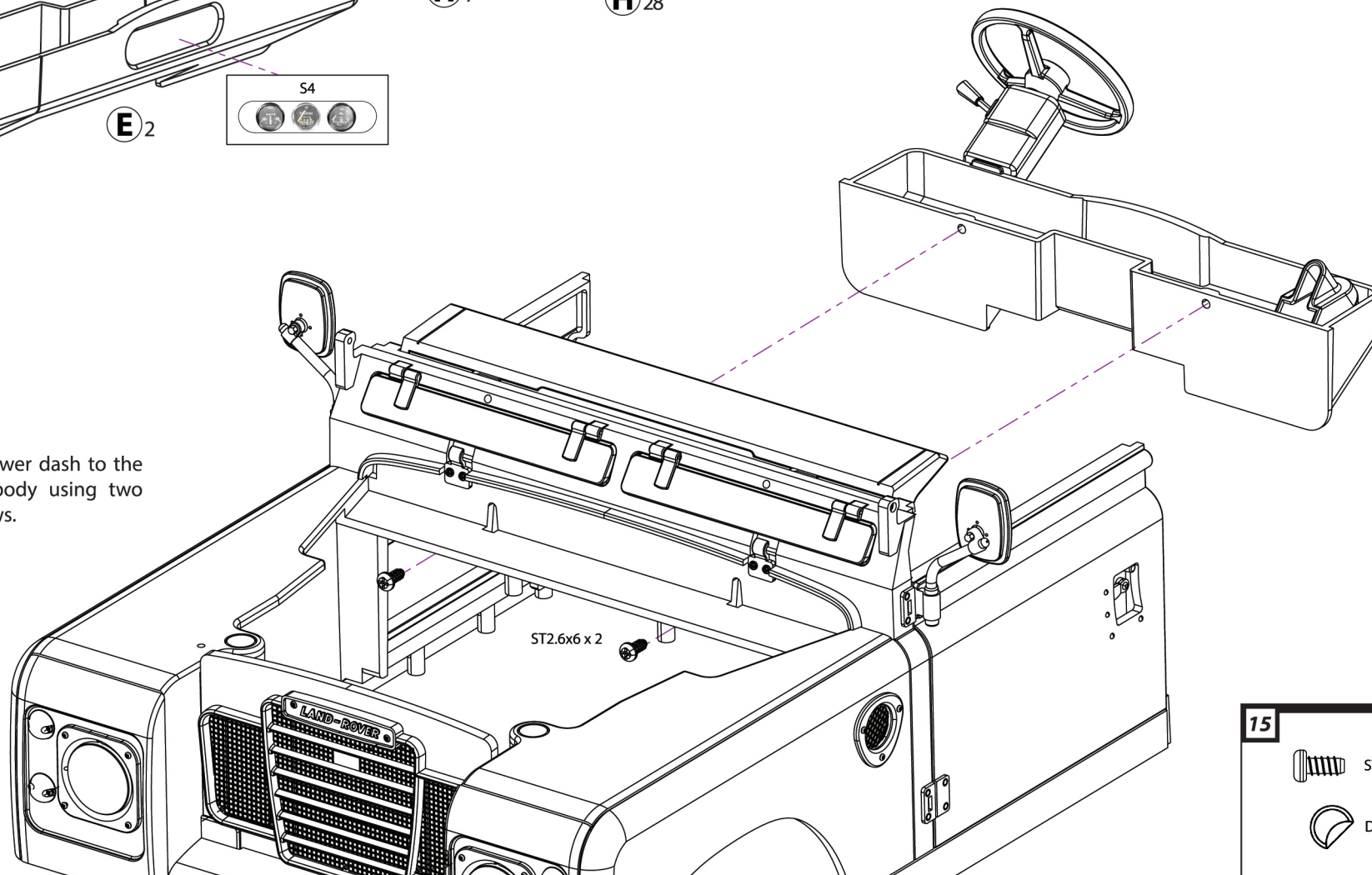


14

Glue the wiper cable cover and the steering column to the lower dash. Push the steering wheel onto the steering column and attach decal sticker.

15

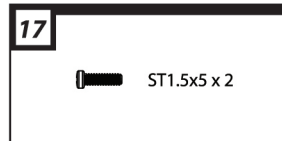
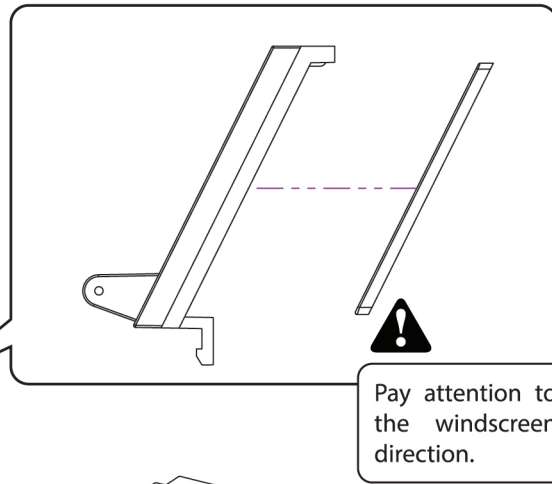
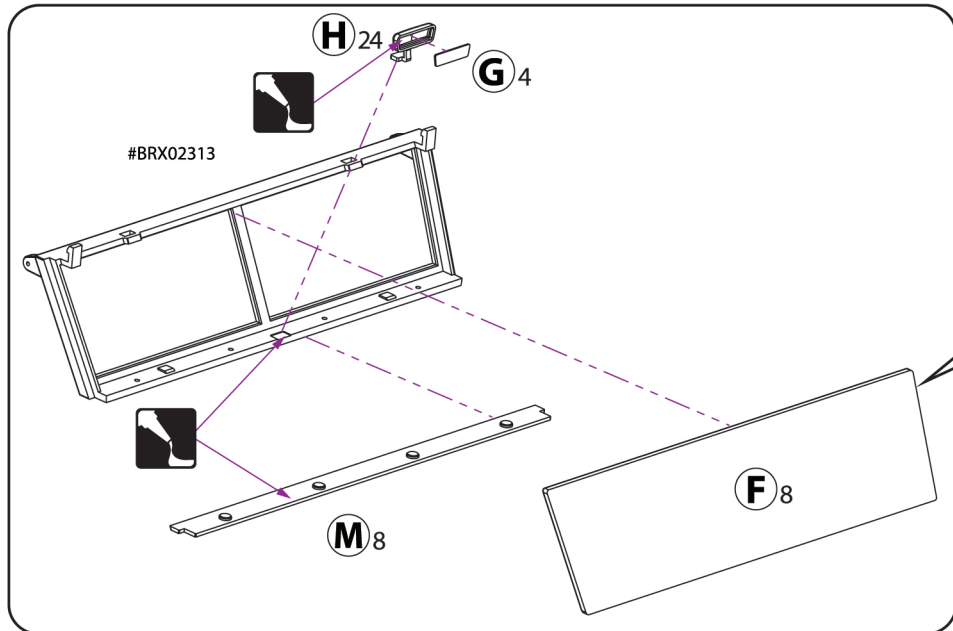
Attach the lower dash to the front main body using two ST2.6x6 screws.



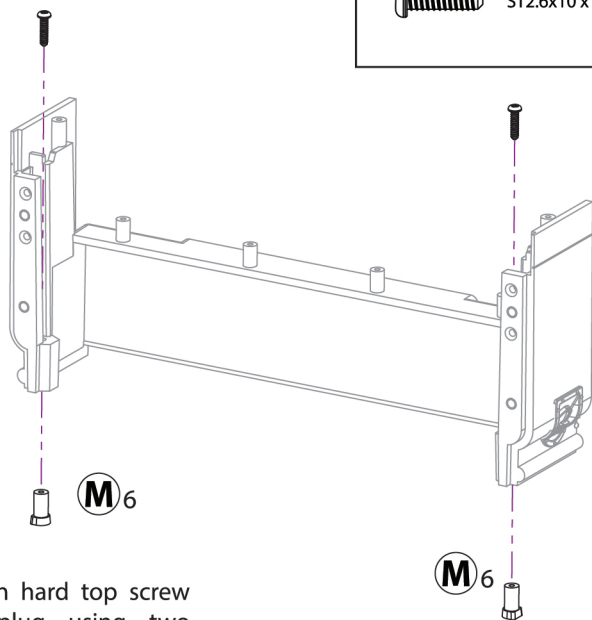
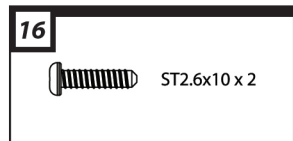
15

ST2.6x6 x 2

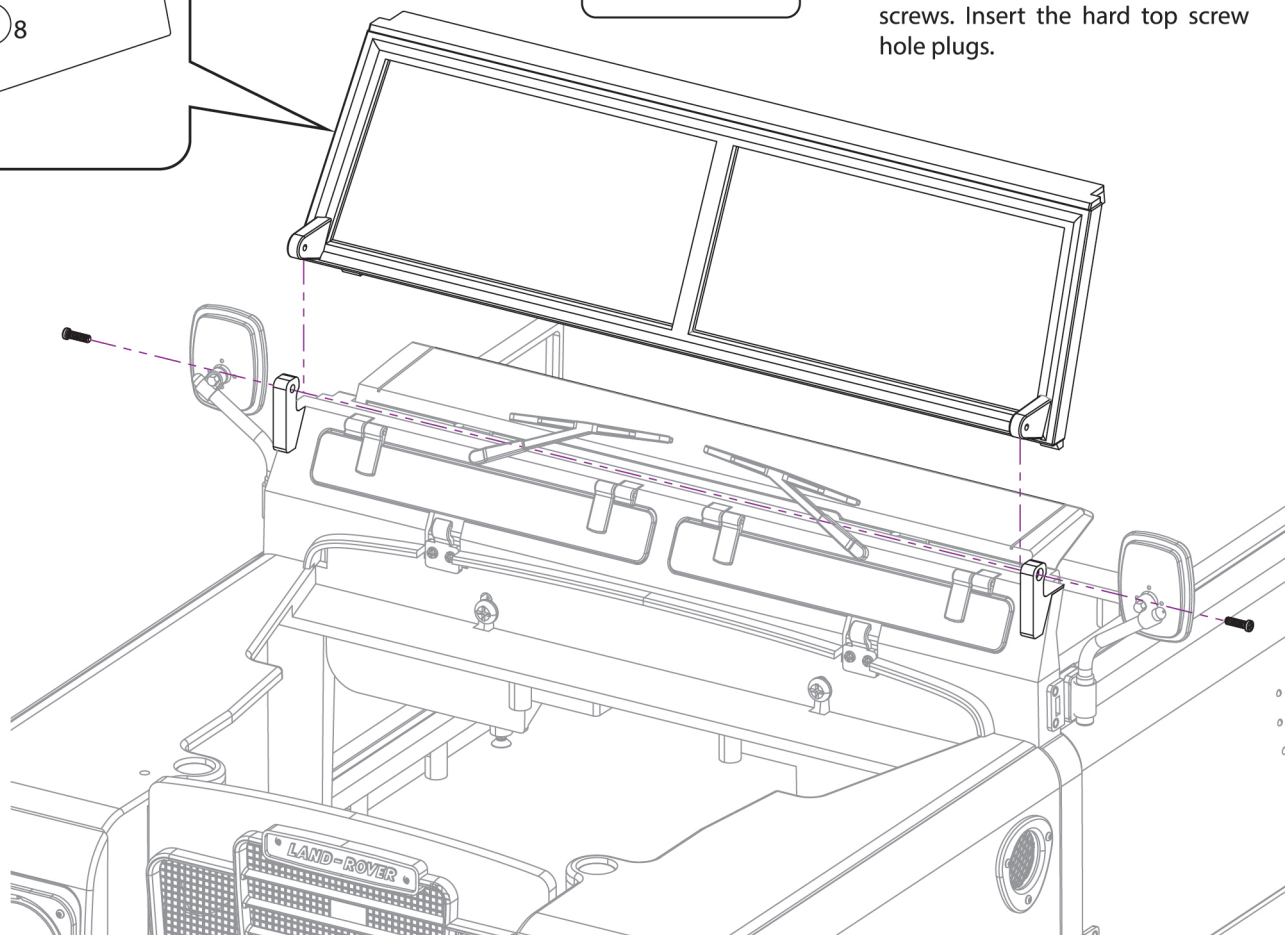
Decal Sticker

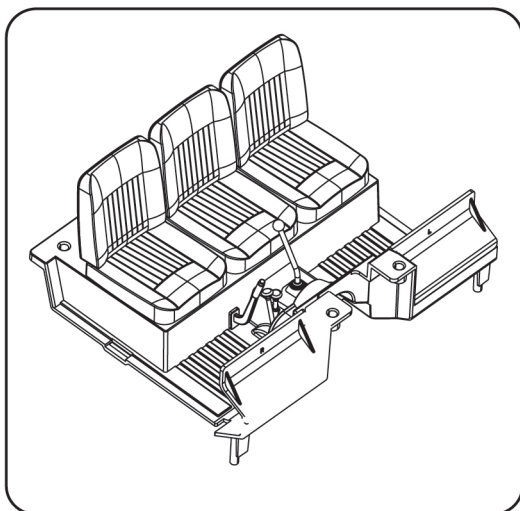


17 Clip the windscreen onto the windscreen frame and glue the interior mirror onto the windscreen frame. Attach the windscreen frame top with glue. Attach the windscreen frame to the vent panel hinge mounts with two ST1.5x5 screws. Insert the hard top screw hole plugs.



16
Tighten hard top screw hole plug using two ST2.6x10 screws.



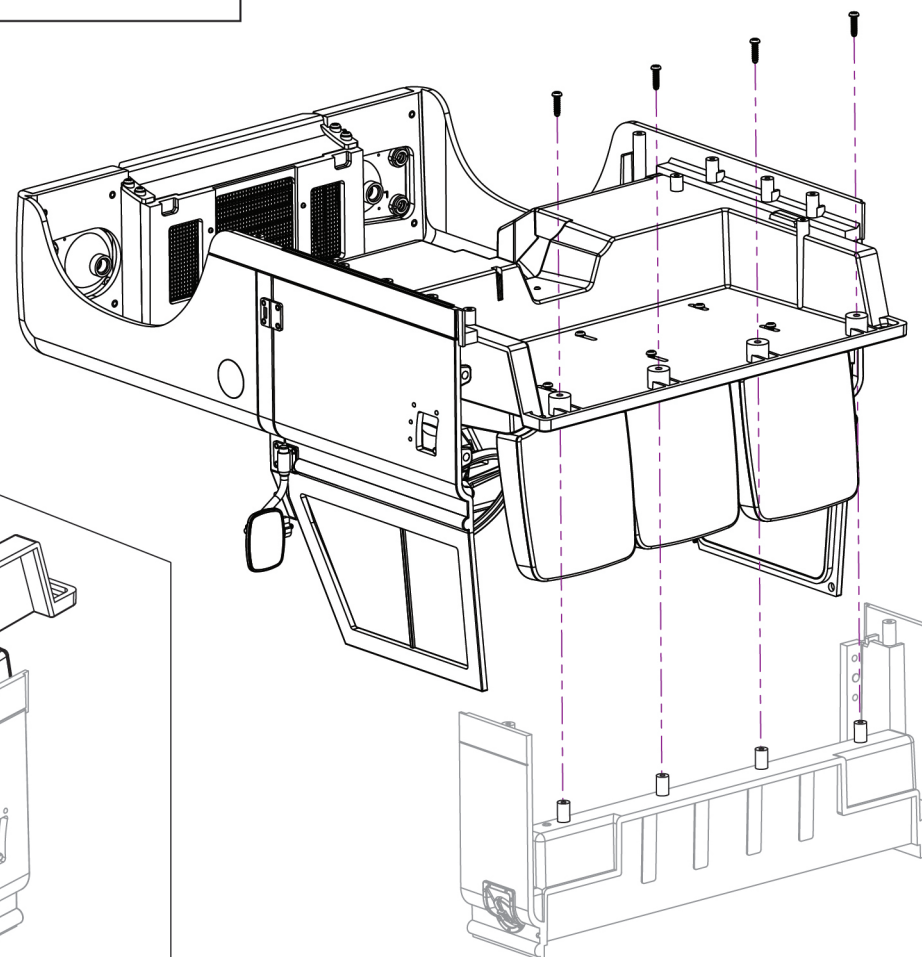


18

Line up the front main body with the interior floor panel and tighten down with two ST2x8 screws.



ST2x8 x4



19

Line up the front main body with the rear cab bulkhead and tighten down with four ST2x8 screws.



ST2x8 x2

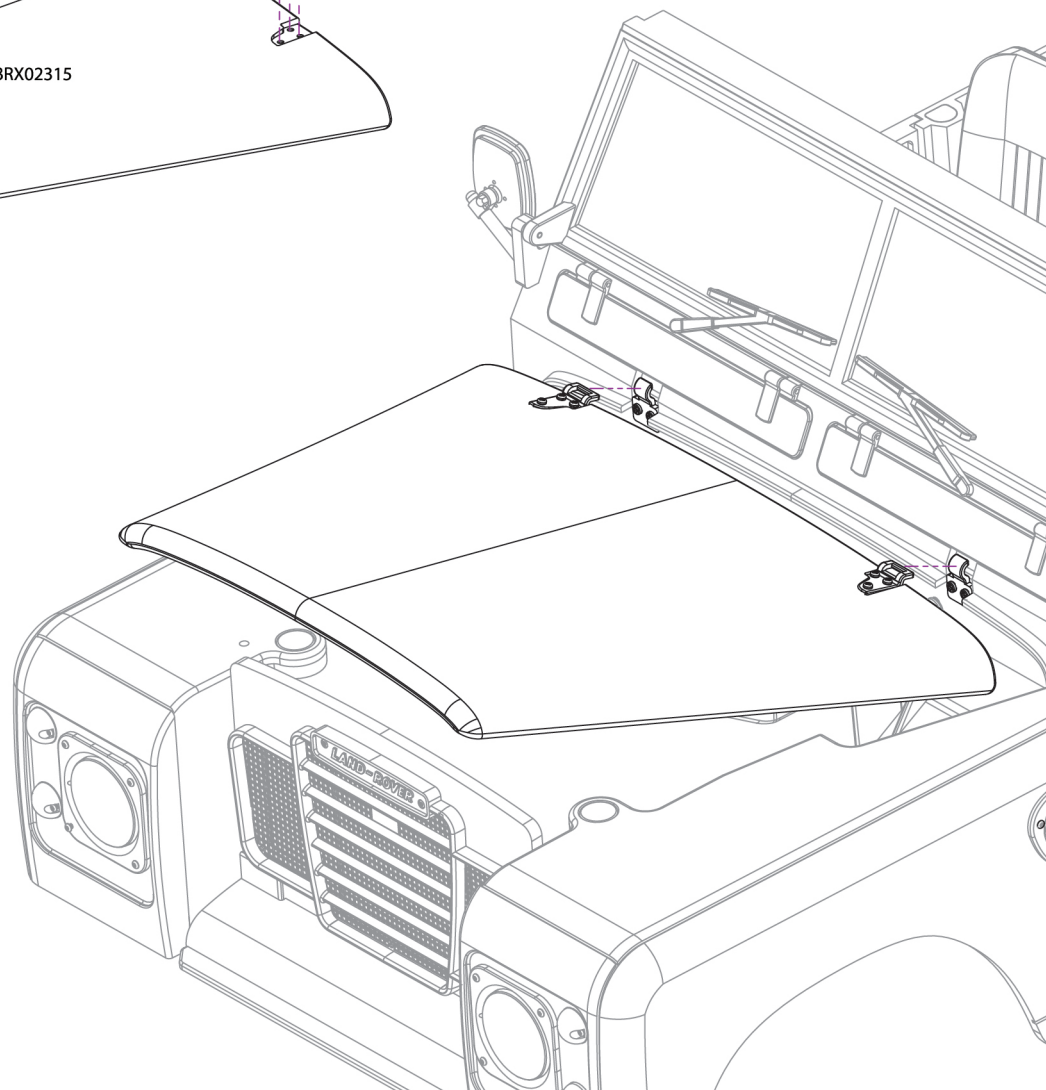
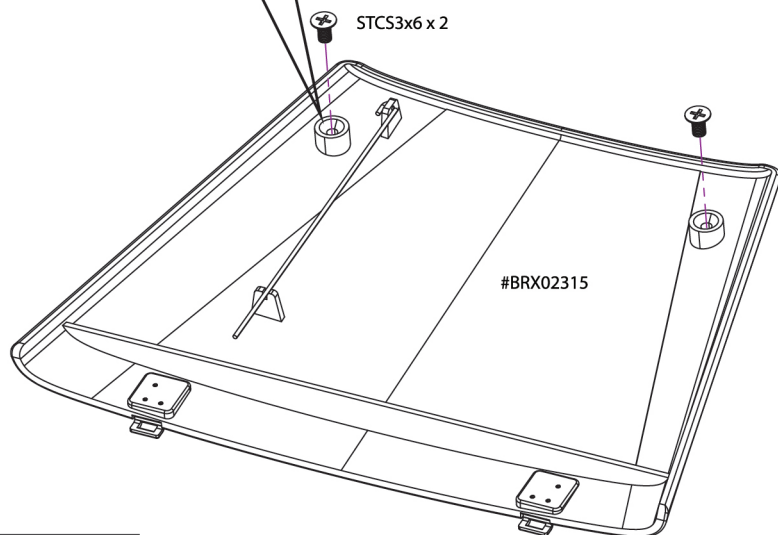
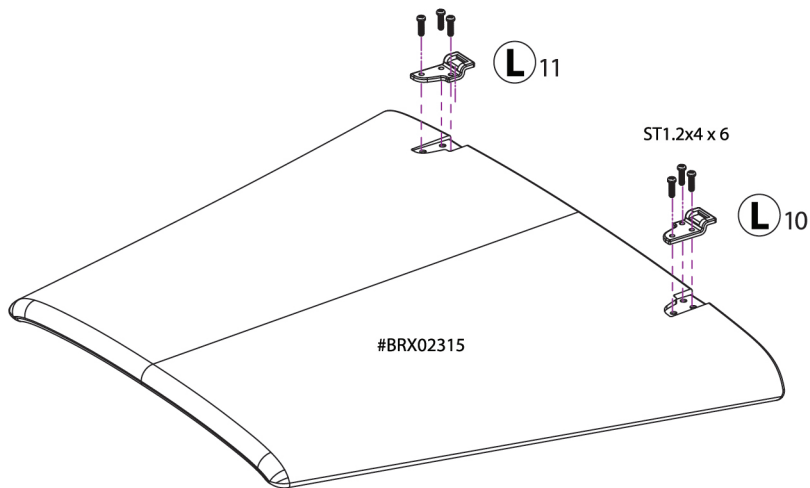
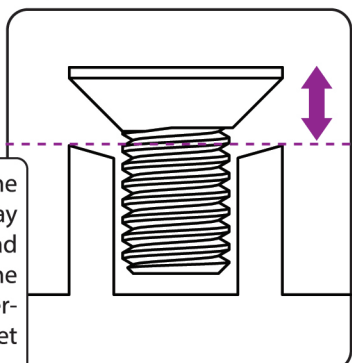
18

ST2x8 x2

Use the two STCS3x6 screws to adjust the height of the bonnet and how tight they latch to the magnet.



Do not tighten the screws all the way down. The head must not pass the dotted line, otherwise the bonnet can be damaged.



22

- ST1.2x4 x 6
- STCS3x6 x 2

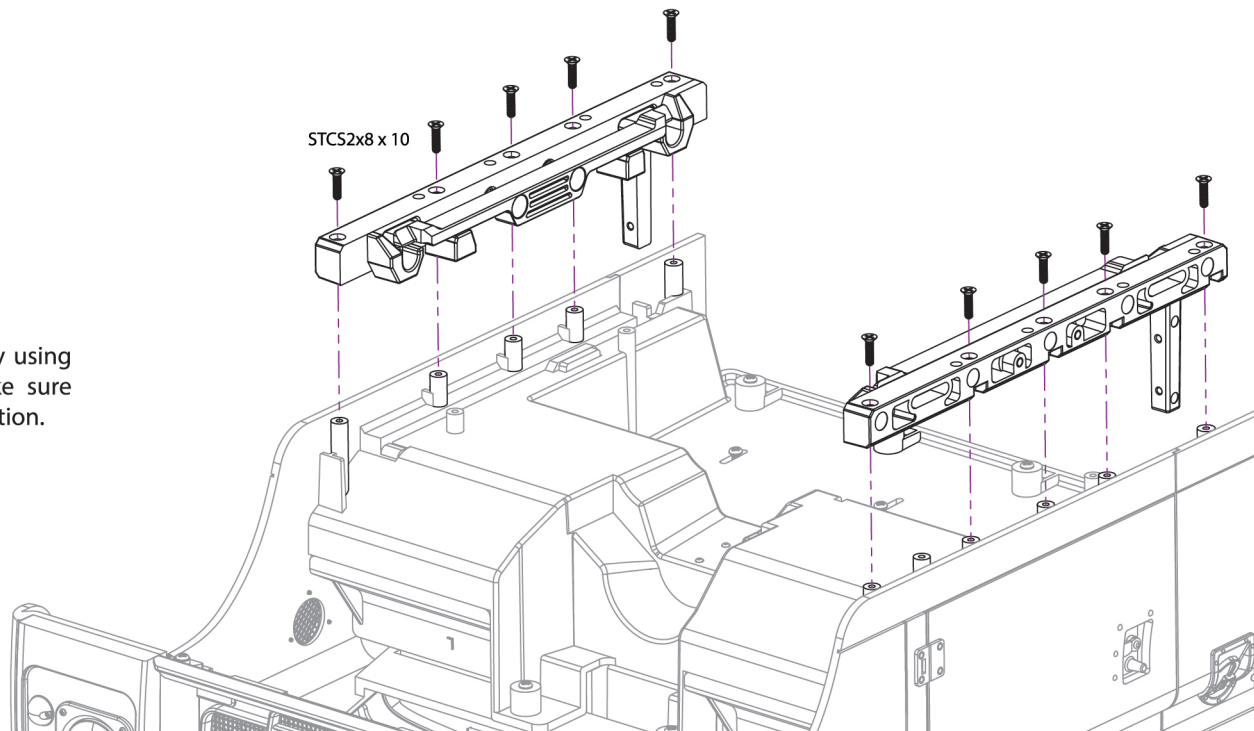
22

Attach the left and right bonnet hinge to the bonnet with six ST1.2x4 screws and two STCS3x6 screws into the bonnet.

20

STCS2x8 x 10

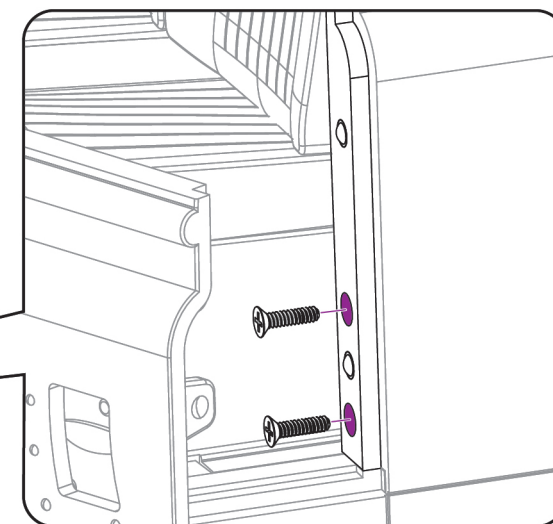
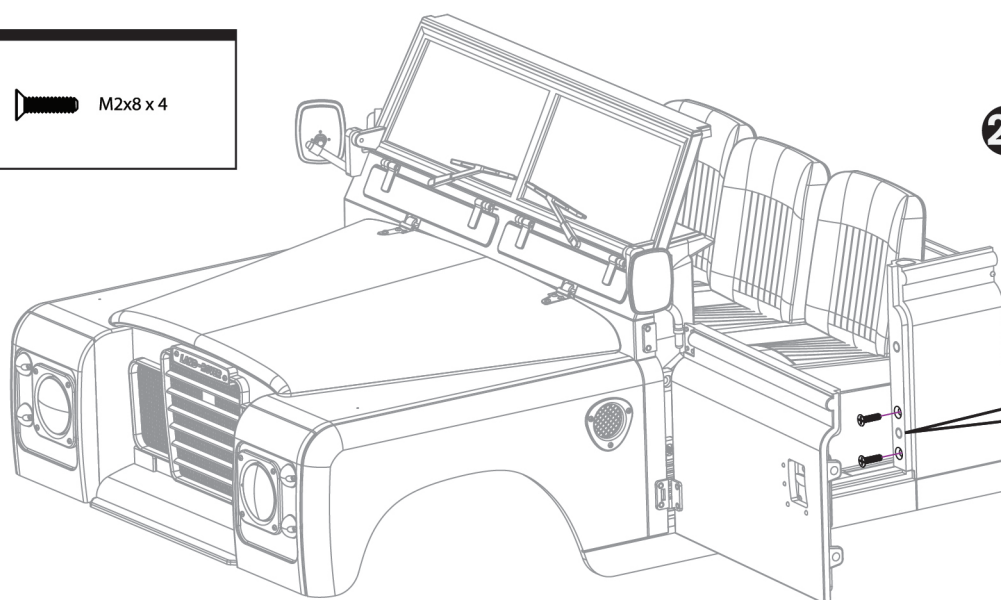
- 20** Attach the brace to the body using ten STCS2x8 screws to make sure everything is locked into position.

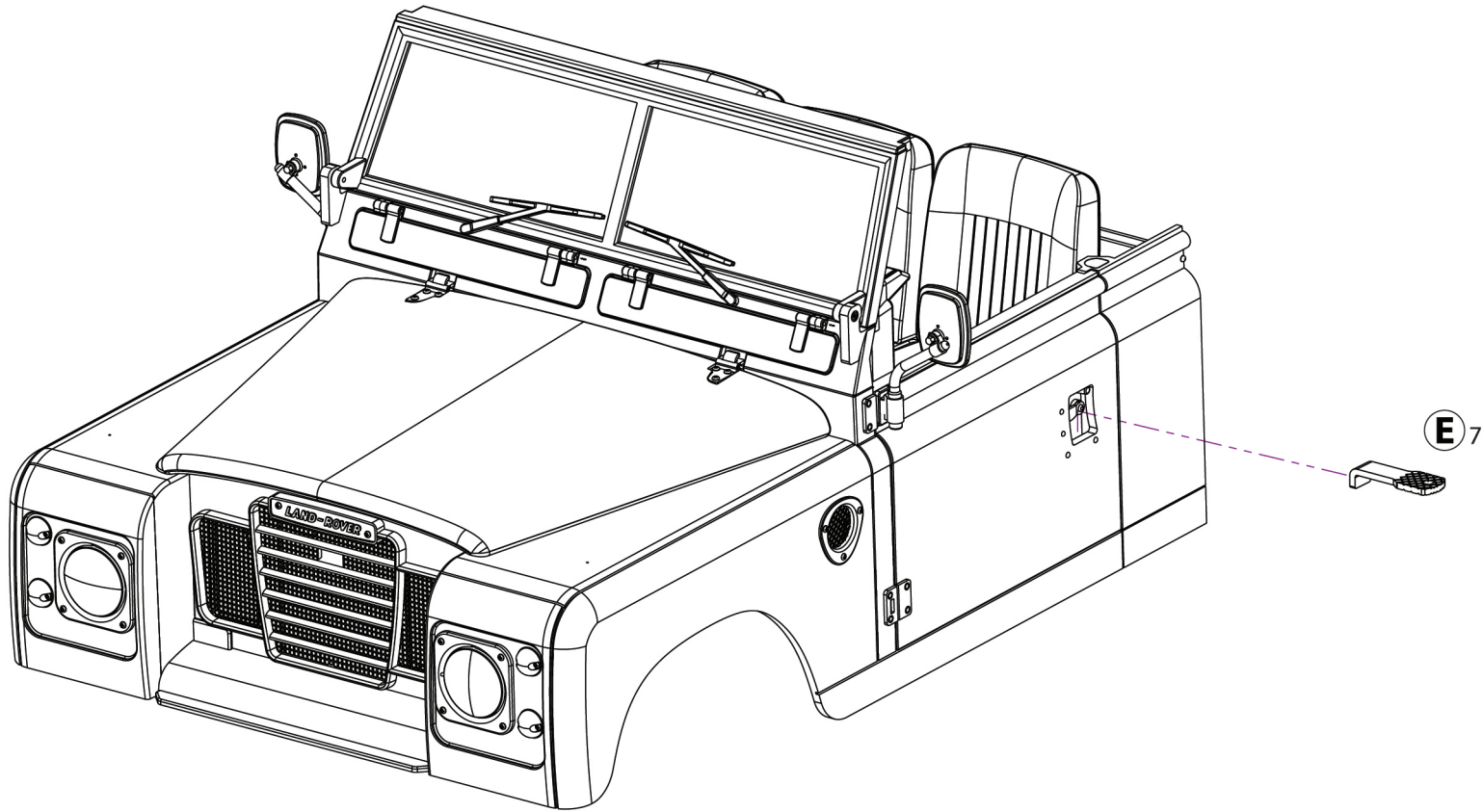


21

M2x8 x 4

- 21** Open the doors and fasten two M2x8CS screws on each side into the body brace.





23 Use the door key and hook it onto the door to pull the door open.