

YOUR R/C HOP-UPS SPECIALIST



We love building scale models. Let's be honest. Which badass doesn't love a beautiful looking car? Our focus is on designing the best looking products that really perform; products that withstand beating and still look great enough to be shelf queens. Offering you the latest designs made with the highest possible quality at affordable prices is our absolute focus for all enthusiastic hobbyists.

Since 2012, Boom Racing has been manufacturing extreme performance RC products. We want you to love and enjoy these amazing "scale" and "performance" based products to create your own unique realistic RC builds.

We are never going to stop at giving you the best updates and upgrades on our product lines. That's our passion and our commitment to keep you on your toes with excitement and anticipation for what's to come next.

REAR CAB BULKHEAD FOR SERIES LAND ROVER (SERIES III)

#BRX02387



#boomracing



[www.facebook.com/
boomracingrc](https://www.facebook.com/boomracingrc)

ENJOY BEING A BADASS



Apply Double Sided Tape



Pay Attention



Apply Glue

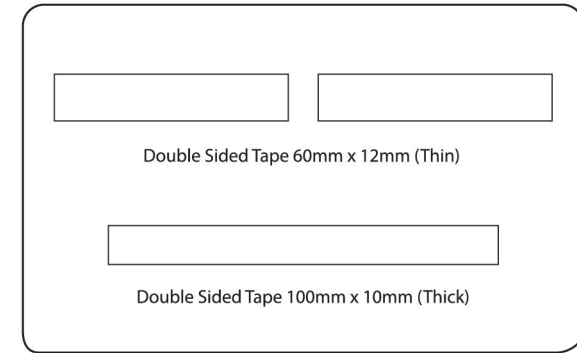
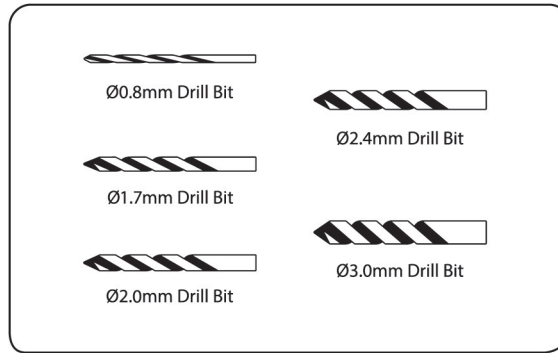
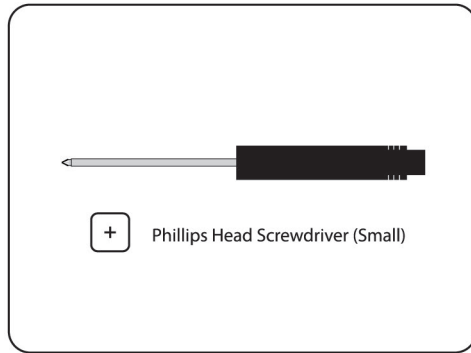


Drill Hole

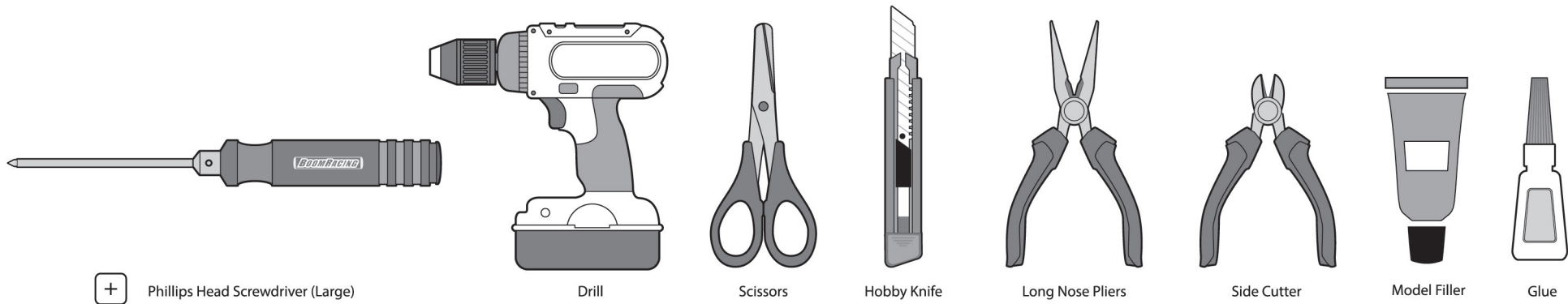


Apply Model Filler

Tools Included


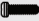







Tools Required

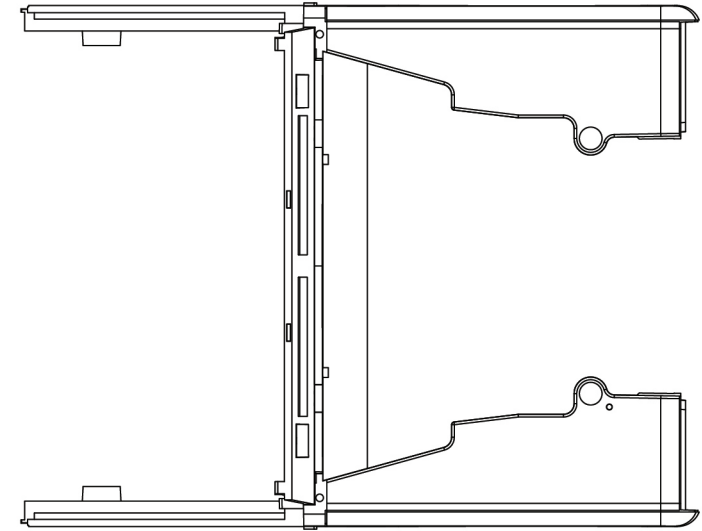




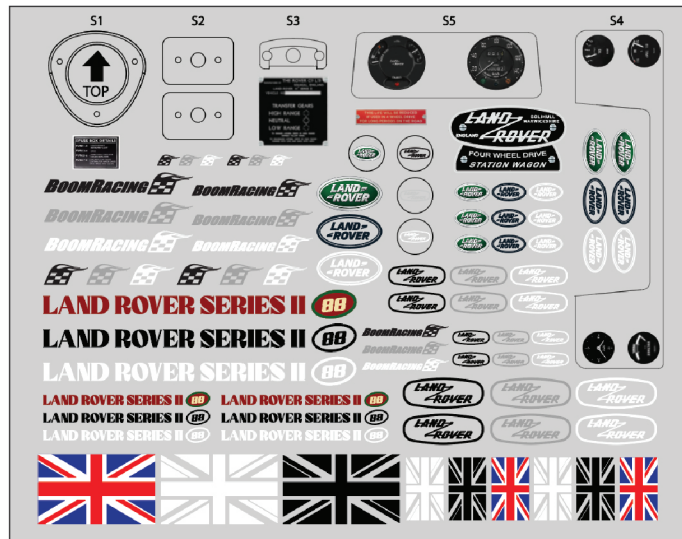
All screw indicators in this manual are 1:1 size (extra screws included).

- | | |
|--|---|
|  ST1x4RS Self-Tapping Screw (Phillips Head) x35
ST1x4 |  ST2.6x6RS Self-Tapping Screw (Phillips Head) x4
ST2.6x6 |
|  ST1.2x4RS Self-Tapping Screw (Phillips Head) x8
ST1.2x4 |  ST2.6x10RS Self-Tapping Screw (Phillips Head) x4
ST2.6x10 |
|  ST1.5x5RS Self-Tapping Screw (Phillips Head) x12
ST1.5x5 |  ST2x8CSS Self-Tapping Screw (Phillips Head) x14
STCS2x8 |
|  ST2x5RS Self-Tapping Screw (Phillips Head) x10
ST2x5 |  ST3x6CSS Self-Tapping Screw (Phillips Head) x4
STCS3x6 |
|  ST2x6RS Self-Tapping Screw (Phillips Head) x20
ST2x6 |  M2x8CSS Machine Thread Screw (1.5 Hex) x6
M2x8CSS |
|  ST2x8RS Self-Tapping Screw (Phillips Head) x8
ST2x8 |  D3x4 Spring Plunger (4) |
|  Magnet (2)
OST8x3 |  Pin (4) |

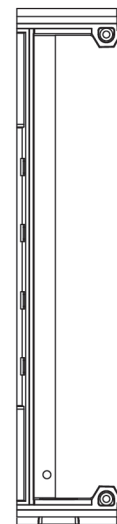
Screw Set for Series II 88 Body
#BRX02365



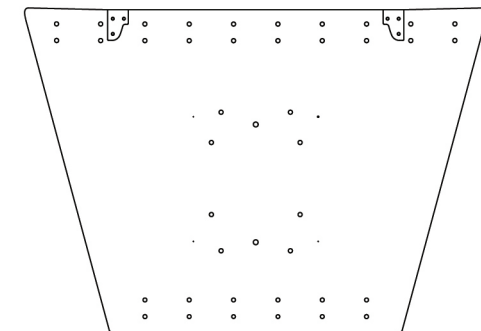
Front Body
#BRX02301



Decal Sticker Series II Station Wagon
#BRX02370



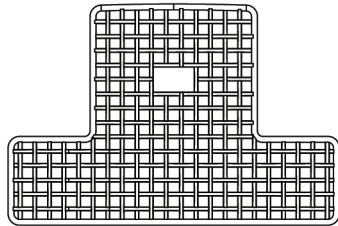
Rear Cab Bulkhead
#BRX02387



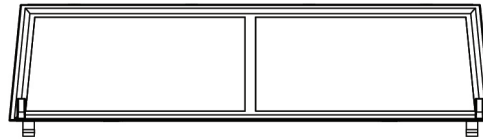
Bonnet
#BRX02349



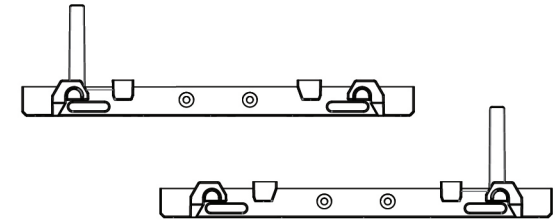
Stainless Steel Wing Air Intake Filter
#BRX02366



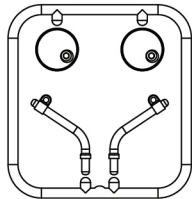
Series II Aluminum Wire Mesh Grille
#BRX02346



Windscreen Frame
#BRX02313



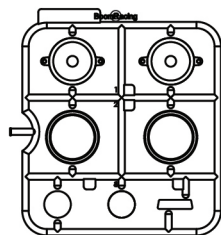
Aluminum Body Brace (Left & Right)
#BRX020112



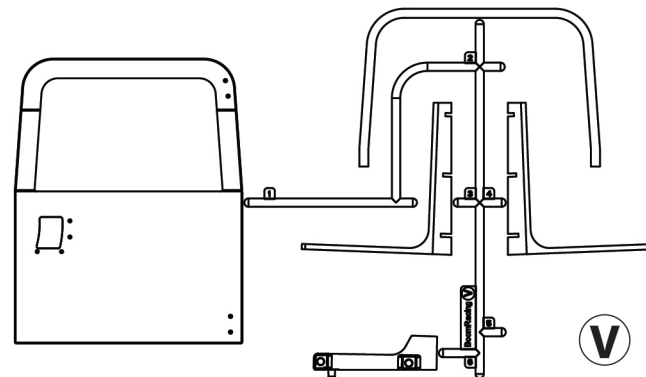
Rubber Side Mirrors
#BRX02347



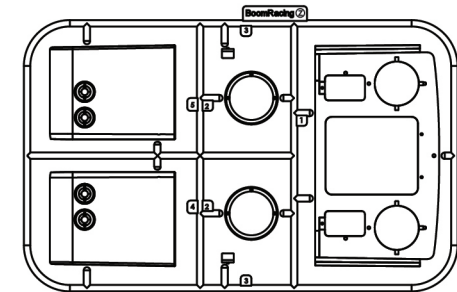
**Land Rover Tub Badge Solihull
(Stainless Steel)**
#BRX02361



G
#BRX02348



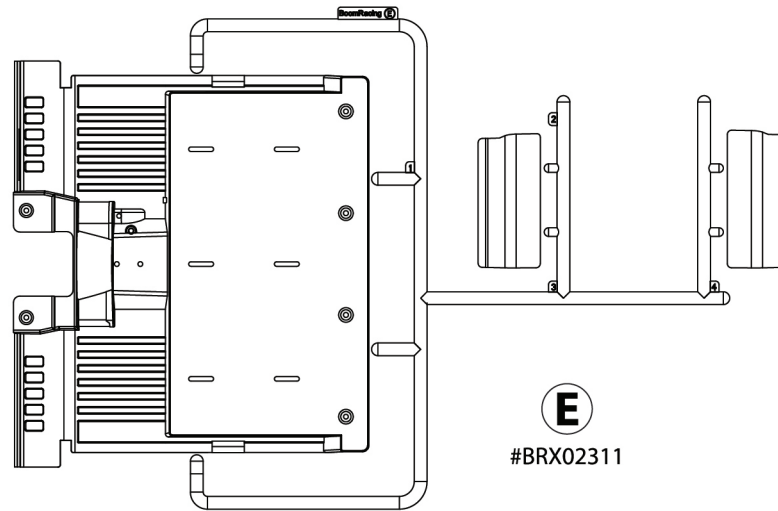
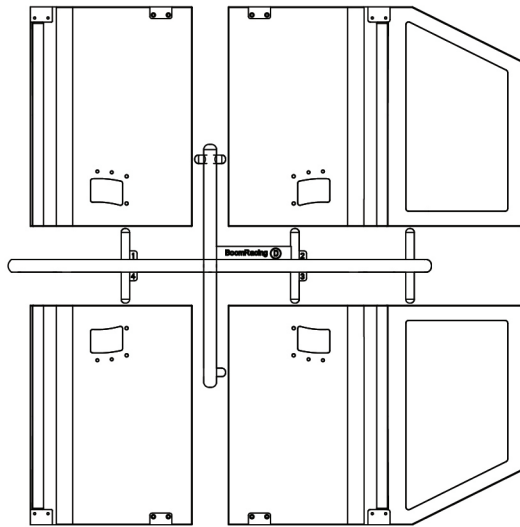
V
#BRX02350



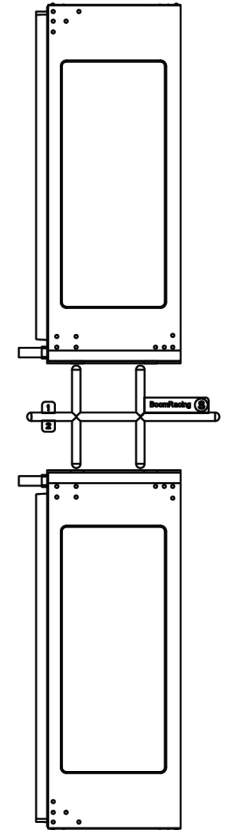
Z
#BRX02351

Note: some parts are not attached to the part trees for packaging reasons.

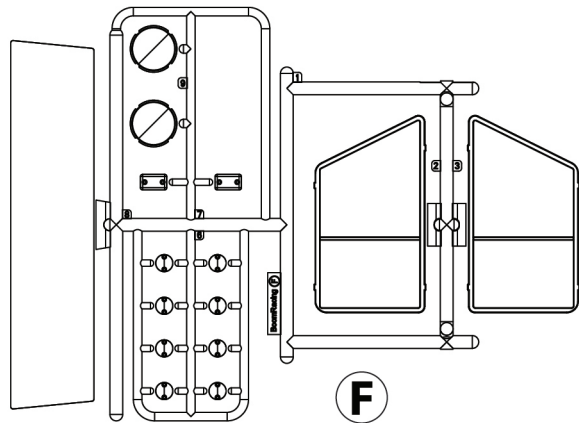
D
#BRX02310



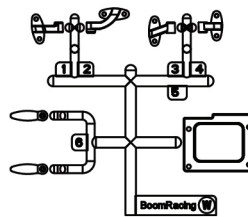
E
#BRX02311



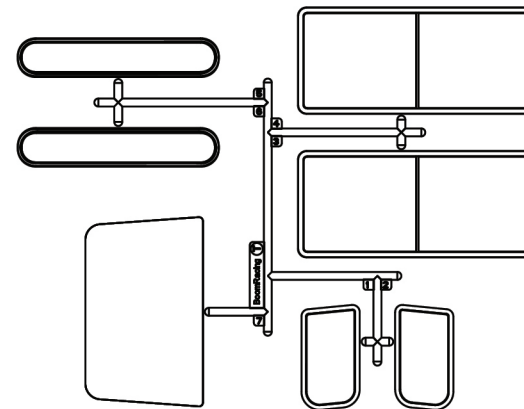
S
#BRX02353



F
#BRX02309

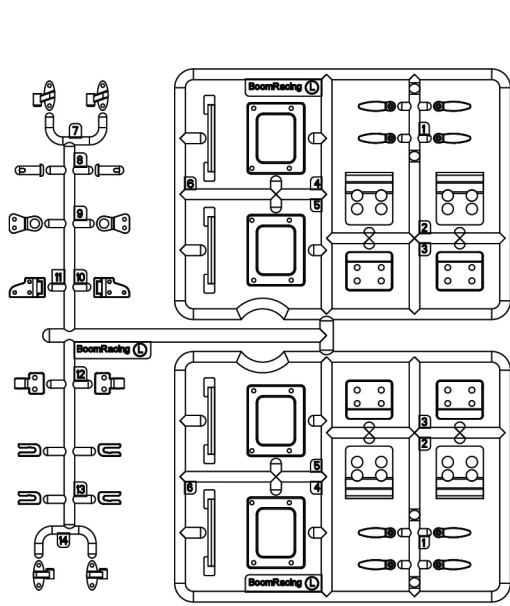


W
#BRX02352



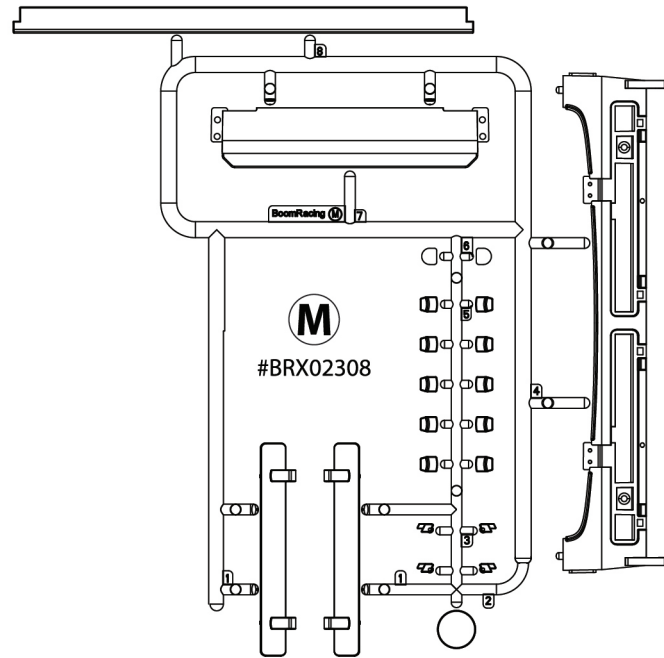
T
#BRX02355

Note: some parts are not attached to the part trees for packaging reasons.



L

#BRX02316

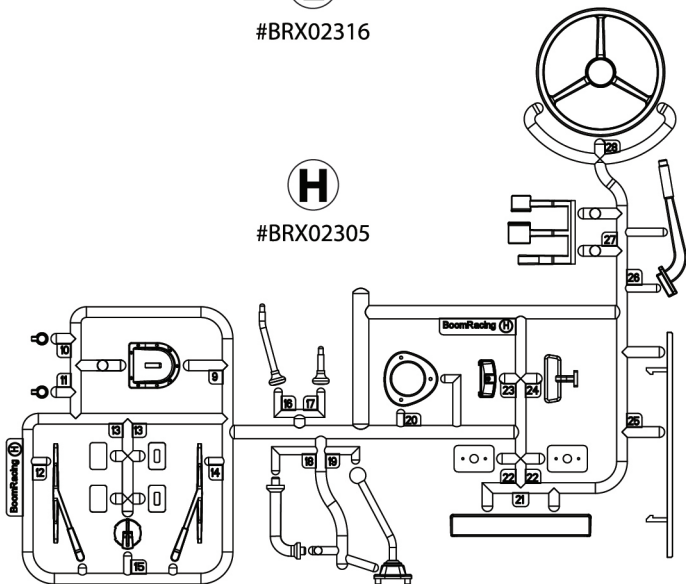
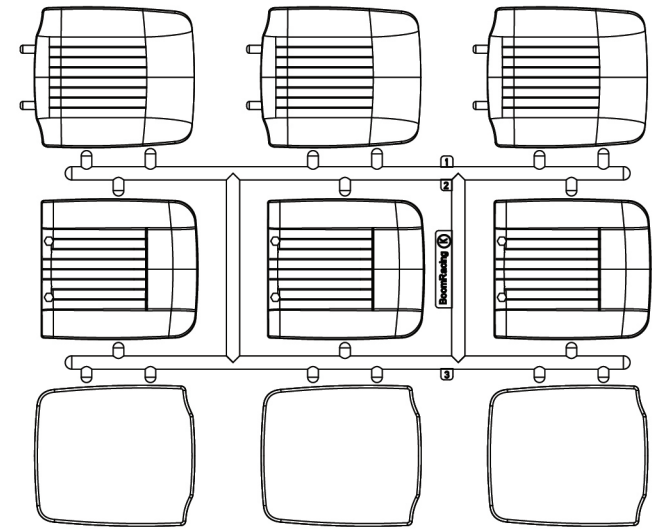


M

#BRX02308

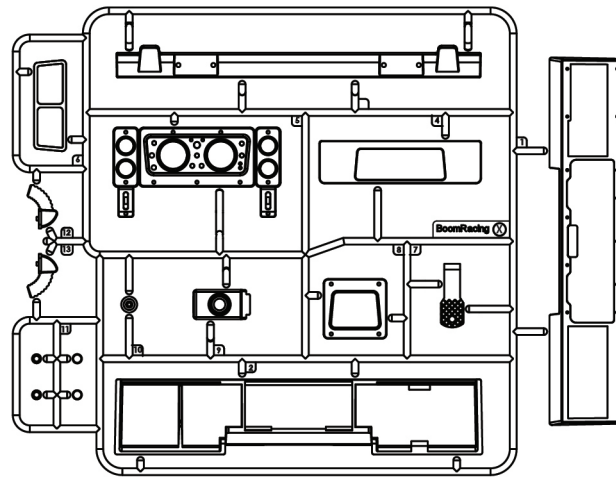
K

#BRX02304



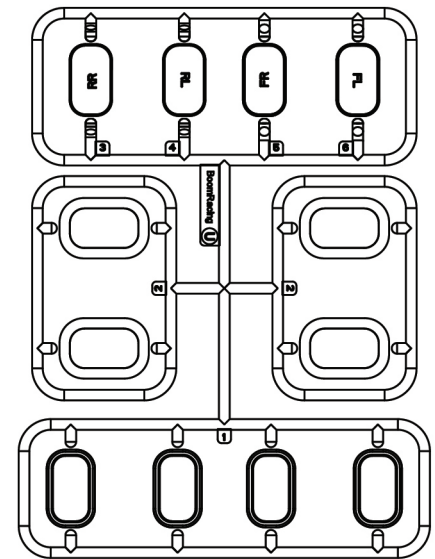
H

#BRX02305



X

#BRX02360



U

#BRX02359

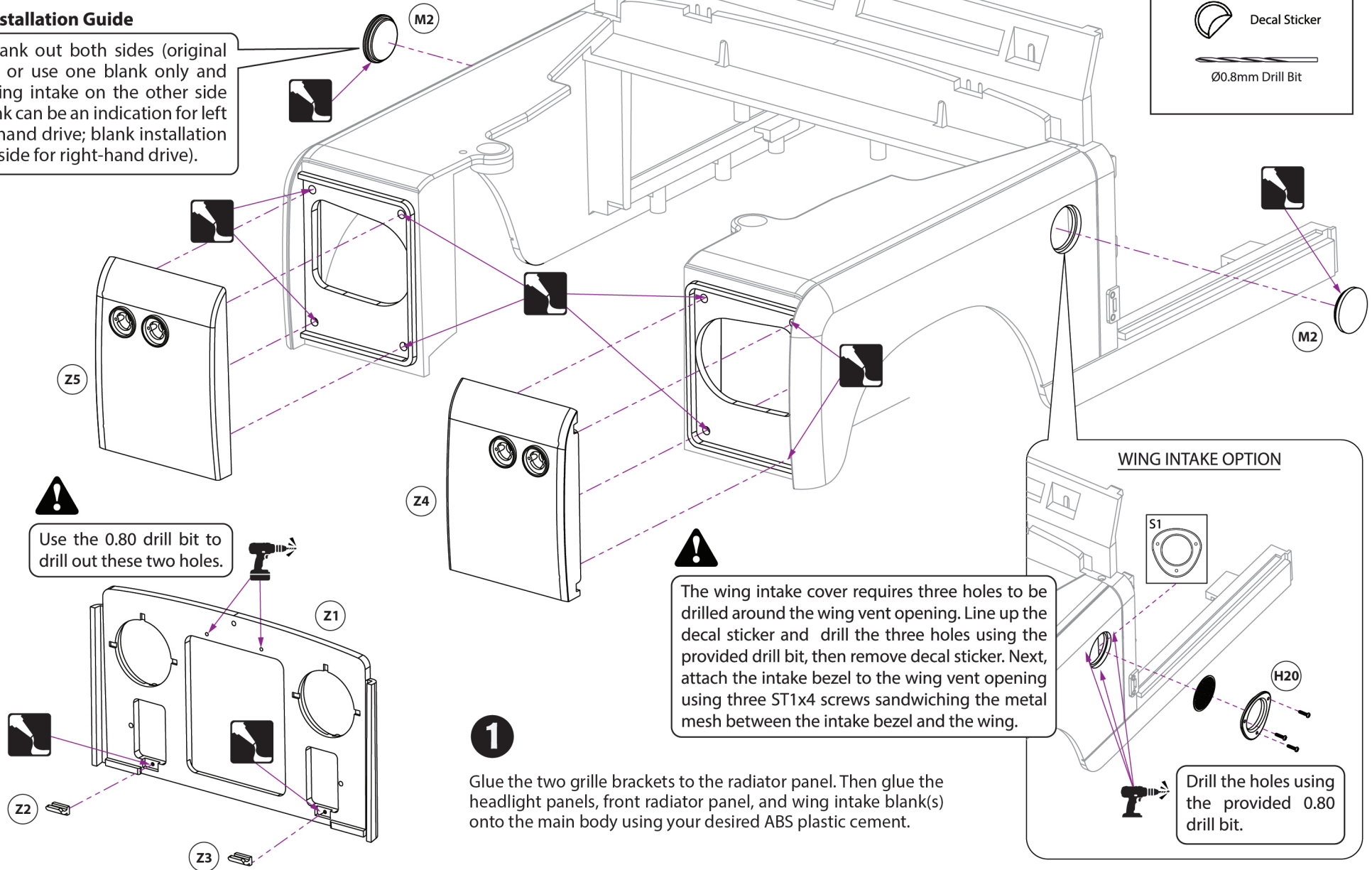


Before you begin, we recommend:

- ① Read through the entire manual prior to starting assembly.
- ② Complete step 1 before painting begins.

Blank Installation Guide

Either blank out both sides (original Series II) or use one blank only and install wing intake on the other side (this blank can be an indication for left or right-hand drive; blank installation on right side for right-hand drive).



1

ST1x4 x 3

Decal Sticker

Ø0.8mm Drill Bit

Use the 0.80 drill bit to drill out these two holes.

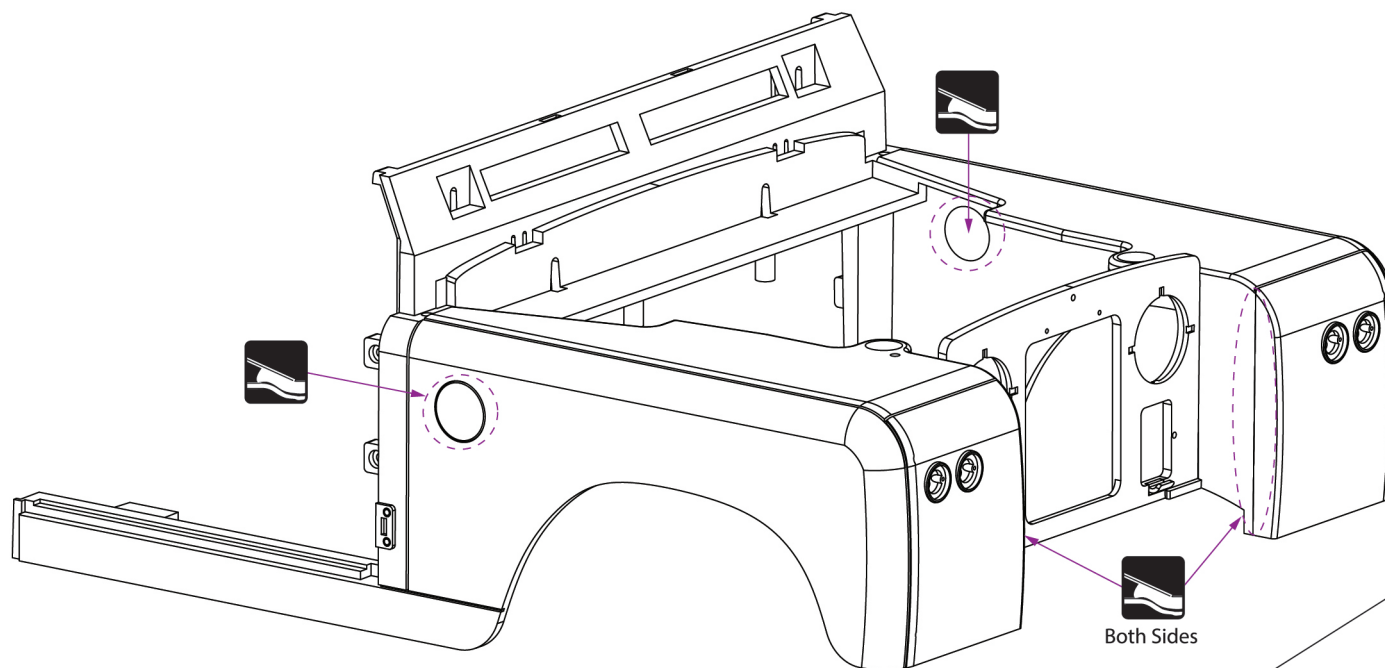
WING INTAKE OPTION

The wing intake cover requires three holes to be drilled around the wing vent opening. Line up the decal sticker and drill the three holes using the provided drill bit, then remove decal sticker. Next, attach the intake bezel to the wing vent opening using three ST1x4 screws sandwiching the metal mesh between the intake bezel and the wing.

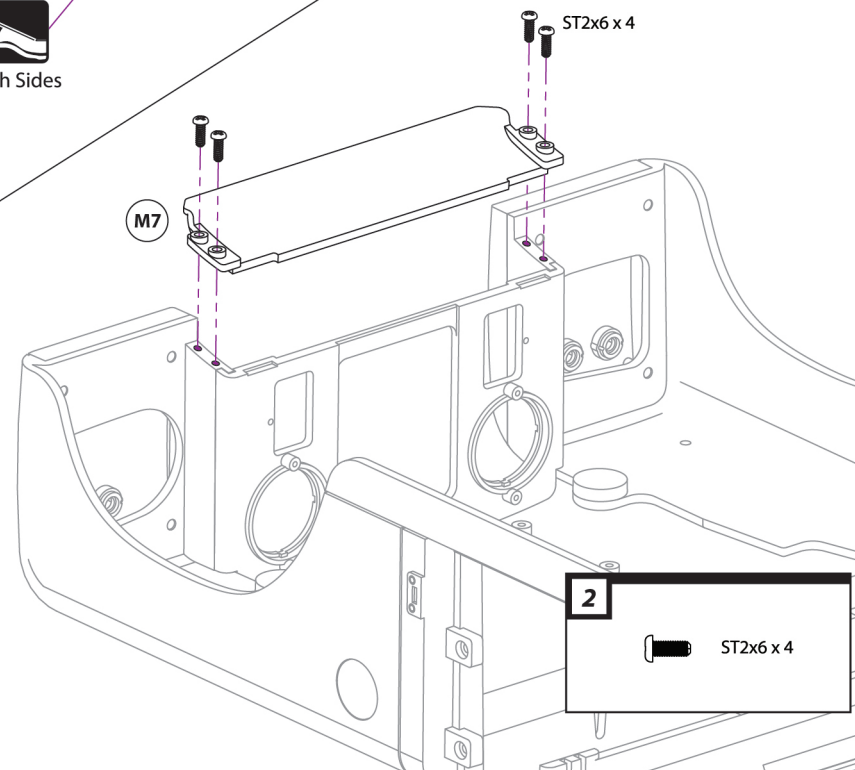
Drill the holes using the provided 0.80 drill bit.

1

Glue the two grille brackets to the radiator panel. Then glue the headlight panels, front radiator panel, and wing intake blank(s) onto the main body using your desired ABS plastic cement.



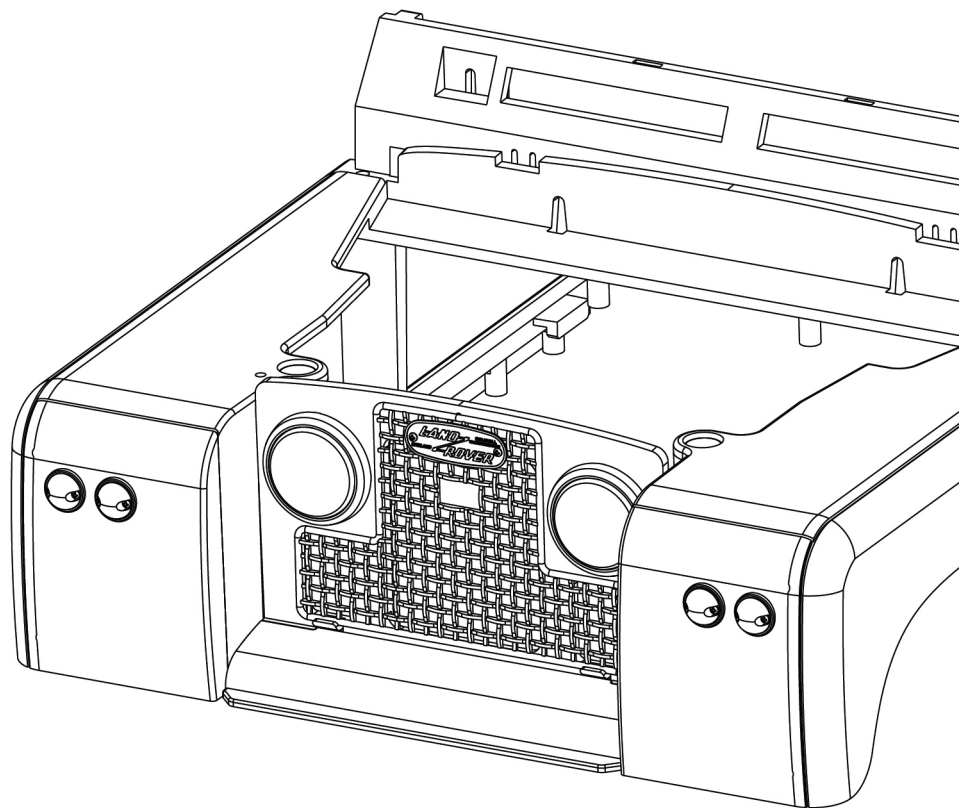
For the best results, we recommend using model filler (not included) to fill in these areas once they are glued together. If model filler is used, sand everything smooth before priming and painting.



2 Attach the front apron panel using four ST2x6 screws.

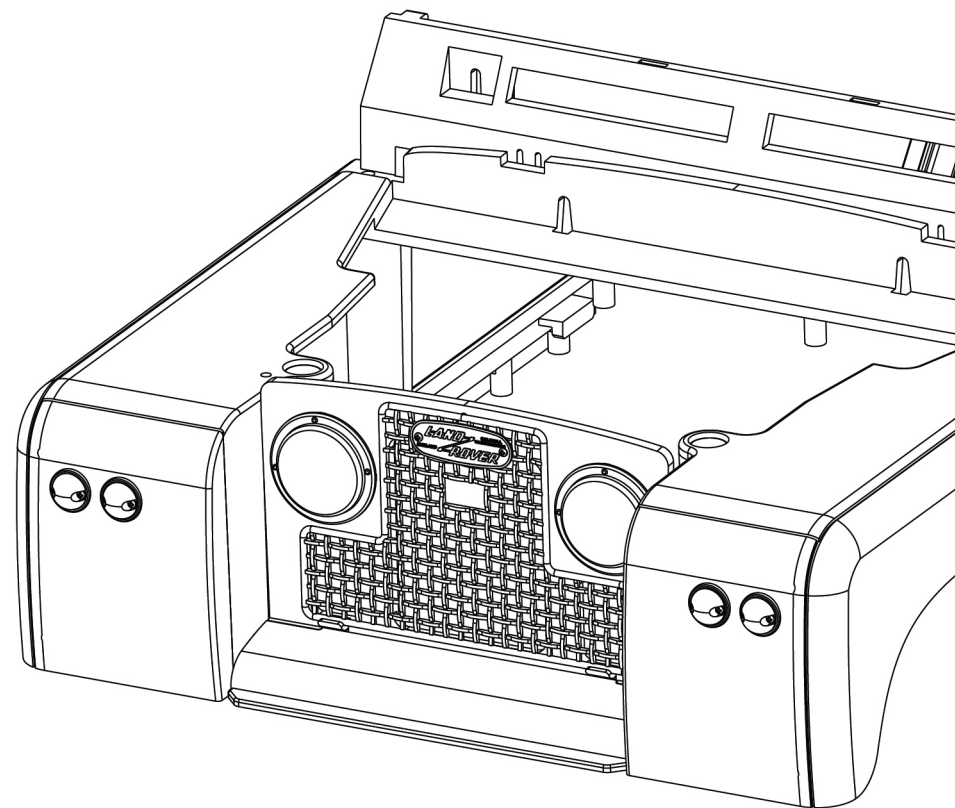


ARE YOU BUILDING CHROME LIGHT BEZEL OR PANEL LIGHT BEZEL?



CHROME LIGHT BEZEL

P. 10

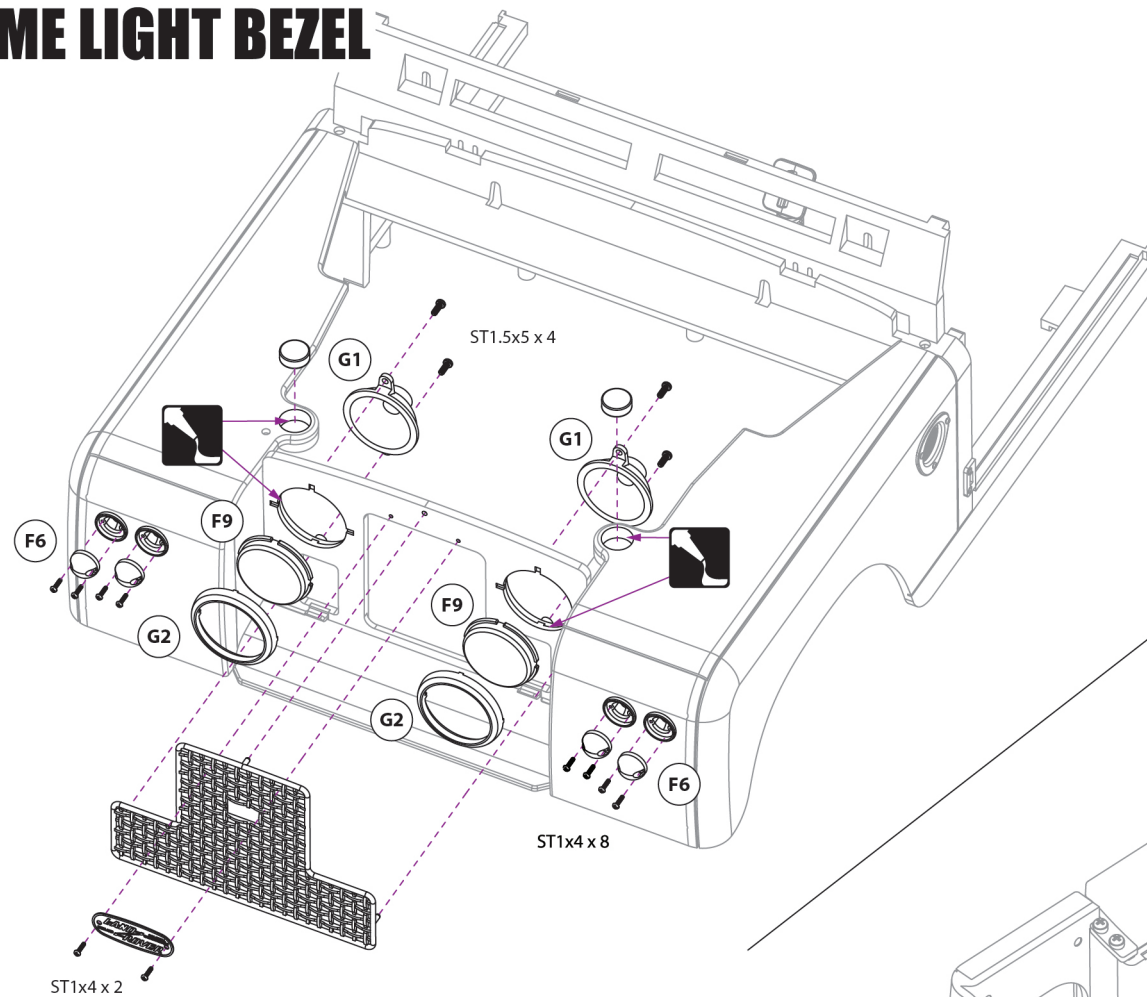


PANEL LIGHT BEZEL

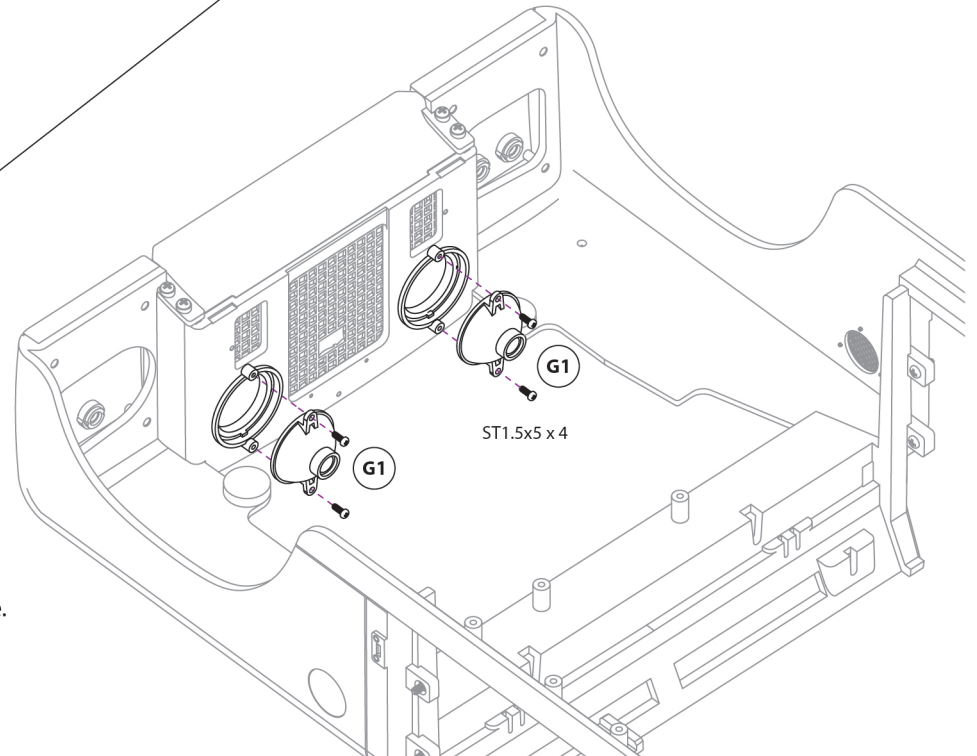
P. 11

Continue to next page if chrome light bezel. Skip to page 11 if panel light bezel.

CHROME LIGHT BEZEL



3	ST1x4 x 10
	ST1.5x5 x 4
	Magnet OST8x3 x 2



3

To attach the wire mesh grille, rest the bottom onto the two grille brackets and then press the three pins into the holes. Next, attach the Land Rover tub badge with two ST1x4 screws.

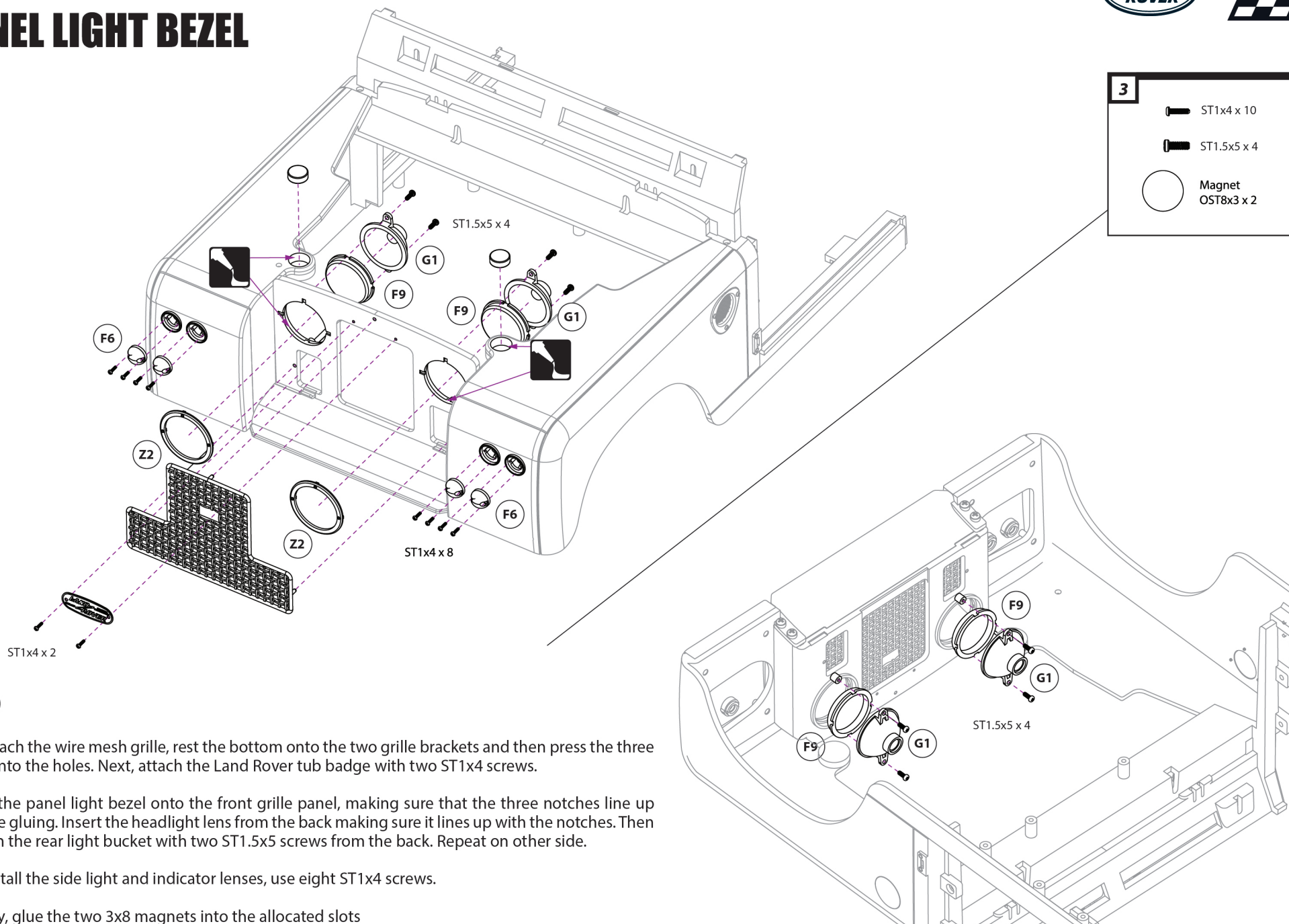
Insert the clear headlight lens into the chrome light bezel, ensuring that it lines up with the notches. Glue the headlight lens onto the front grille panel, making sure that the three notches line up before gluing. Then attach the rear light bucket with two ST1.5x5 screws from the back. Repeat on other side.

To install the side light and indicator lenses, use eight ST1x4 screws.

Finally, glue the two 3x8 magnets into the allocated slots.

PANEL LIGHT BEZEL

3	ST1x4 x 10
	ST1.5x5 x 4
	Magnet OST8x3 x 2



3

To attach the wire mesh grille, rest the bottom onto the two grille brackets and then press the three pins into the holes. Next, attach the Land Rover tub badge with two ST1x4 screws.

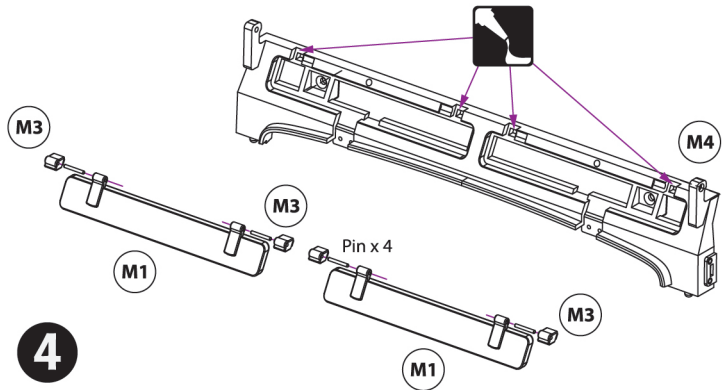
Glue the panel light bezel onto the front grille panel, making sure that the three notches line up before gluing. Insert the headlight lens from the back making sure it lines up with the notches. Then attach the rear light bucket with two ST1.5x5 screws from the back. Repeat on other side.

To install the side light and indicator lenses, use eight ST1x4 screws.

Finally, glue the two 3x8 magnets into the allocated slots

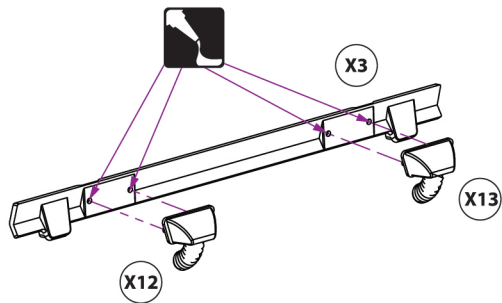
4

Pin x 4



4

Insert the four pins into the vent flap and vent hinge before gluing onto the vent panel.



5

Glue the two intakes to the upper dash panel.

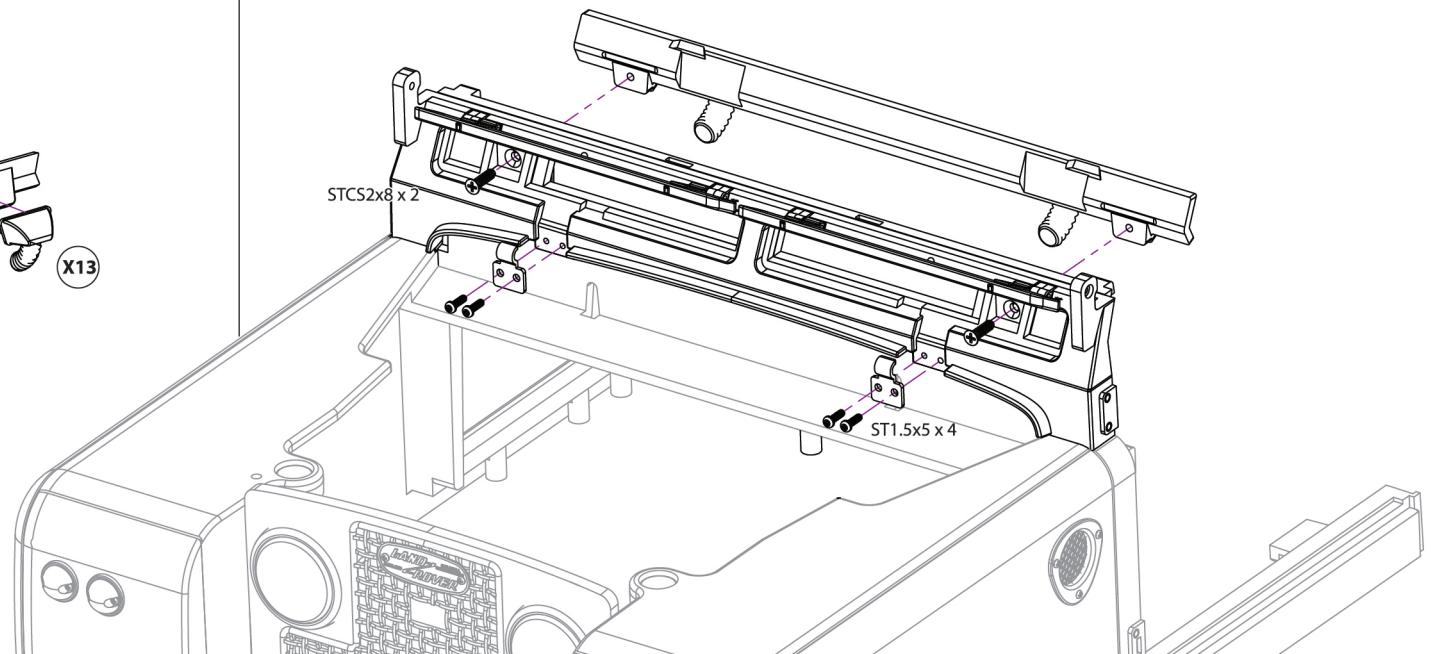
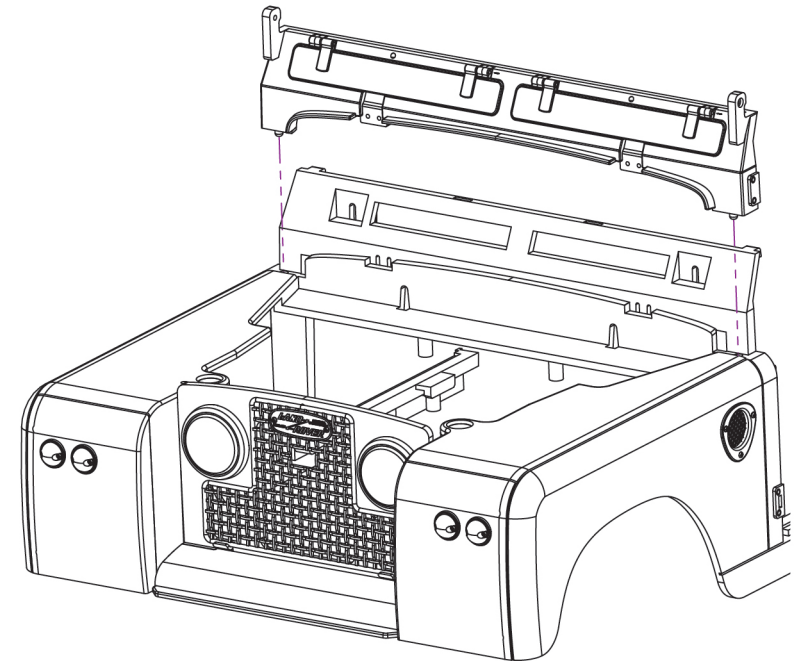
6

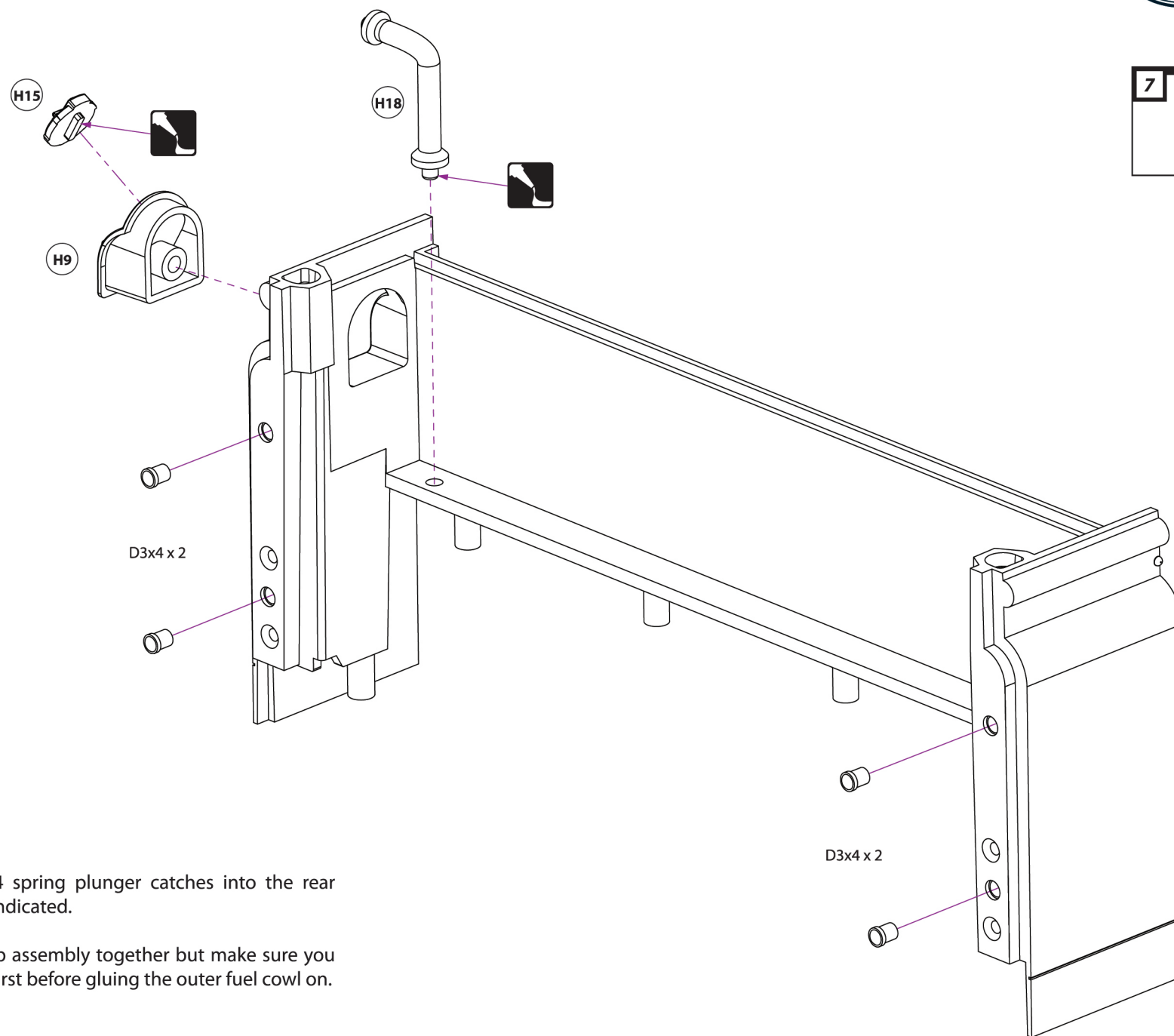
STCS2x8 x 2

ST1.5x5 x 4

6

Attach the vent panel to the front main body. Attach the upper dash panel with two STCS2x8 screws and the bonnet hinge with four ST1.5x5 screws.





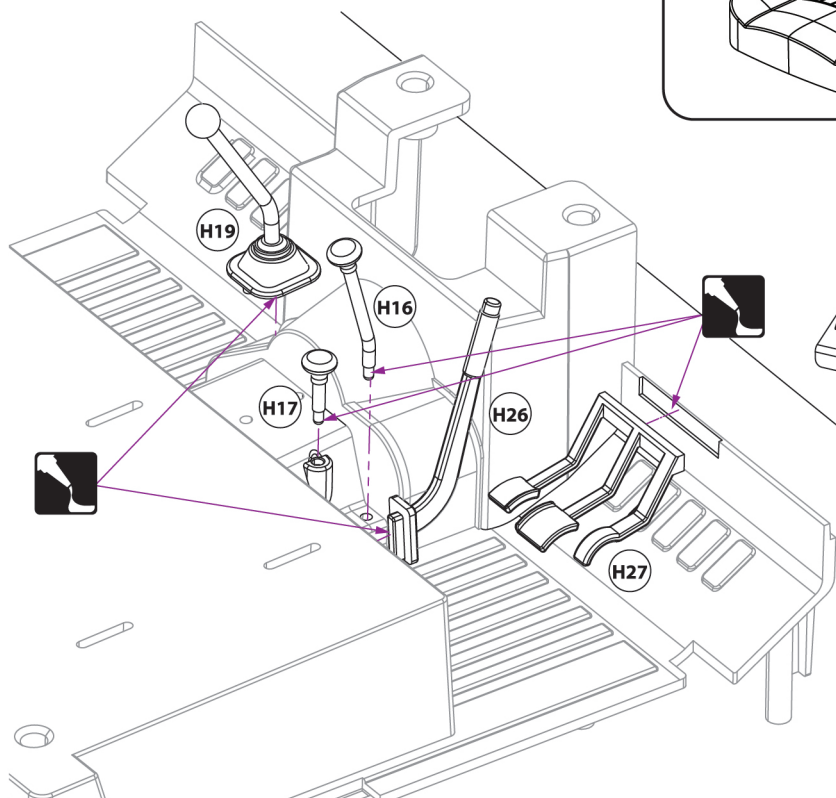
7

Insert four D3x4 spring plunger catches into the rear cab bulkhead as indicated.

Glue the fuel cap assembly together but make sure you install the hose first before gluing the outer fuel cowl on.

8

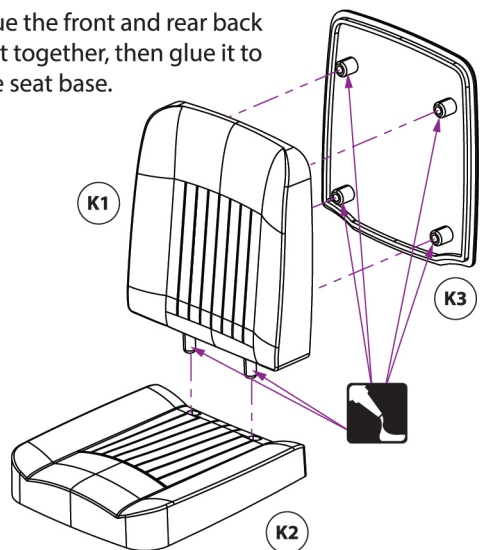
Attach the gear stick, hi/low stick, 2WD/4WD stick, handbrake and foot pedals with a touch of glue to the interior floor panel.



9

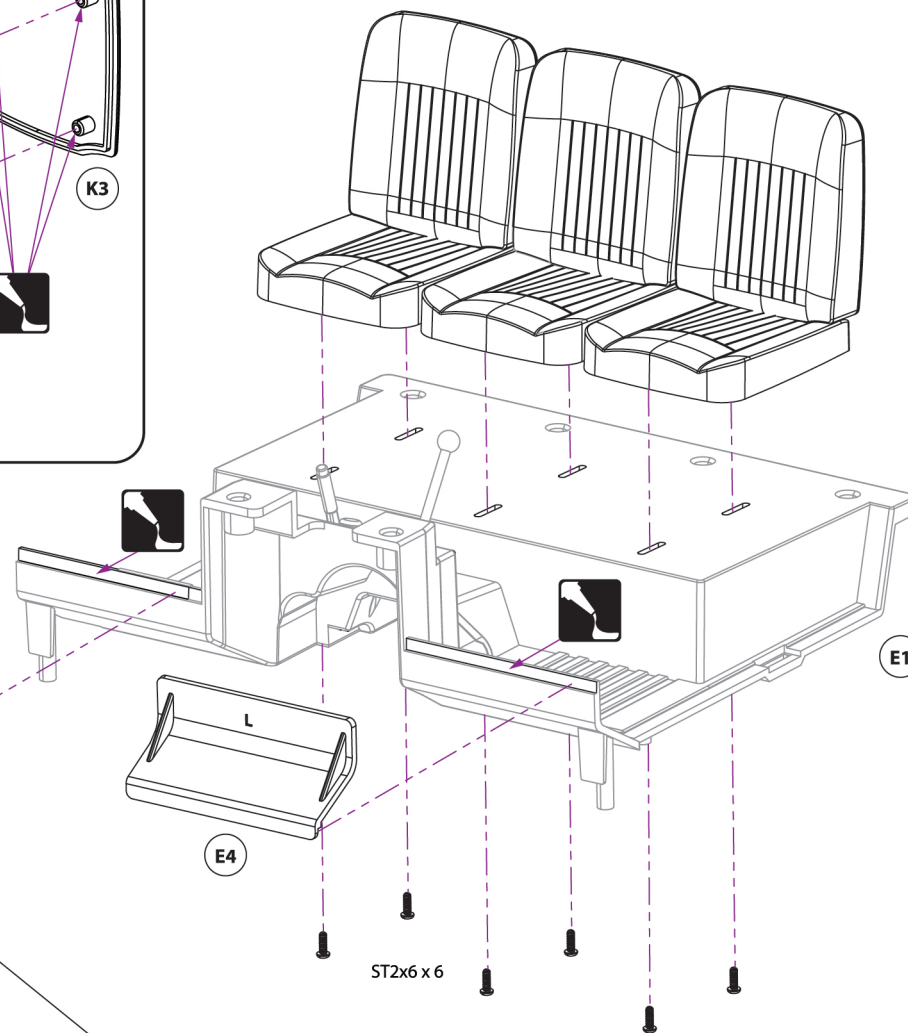
x3

Glue the front and rear back rest together, then glue it to the seat base.



10

ST2x6 x 6

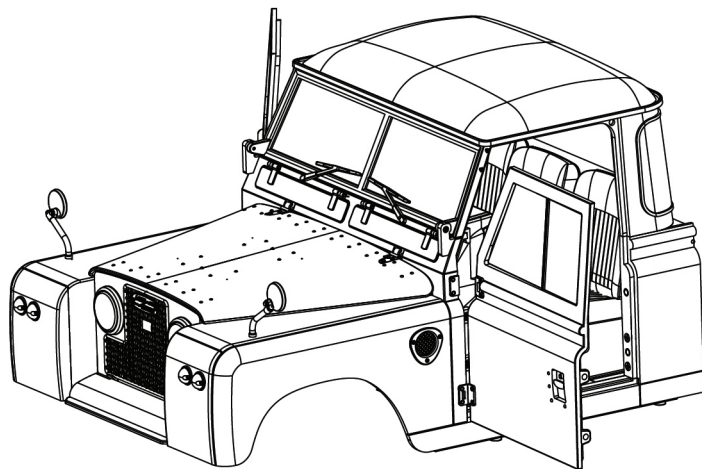


10

Glue the left and right front floor panels to the main floor panel. Attach the seats with six ST2x6 screws. Adjust the seats forward and backwards to your desired position.

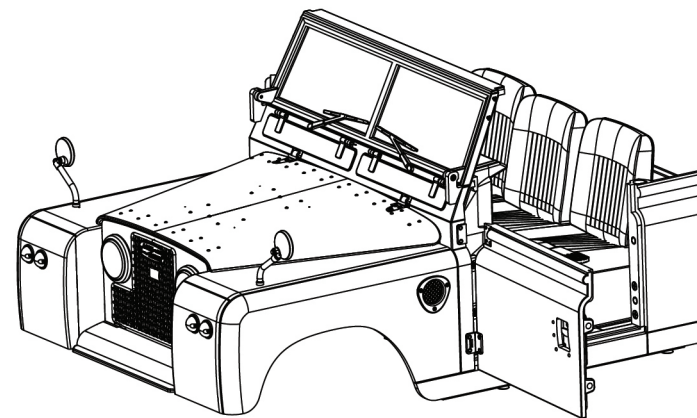


ARE YOU BUILDING A HARDTOP OR CONVERTIBLE TRUCK?



HARDTOP

P. 16



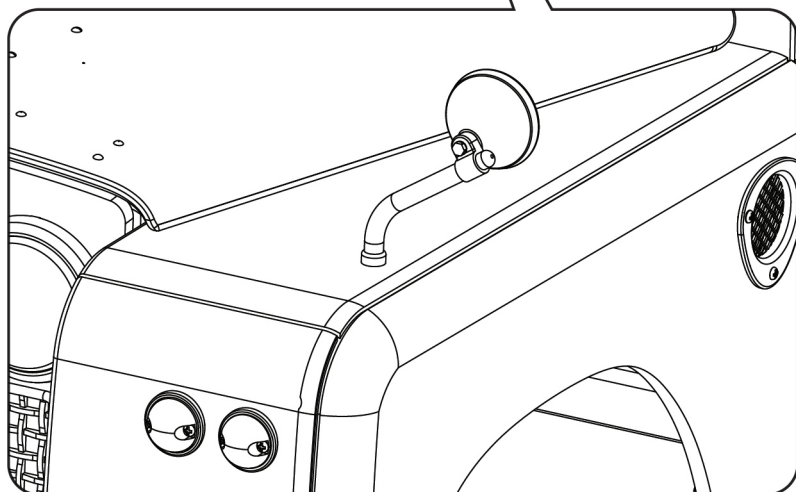
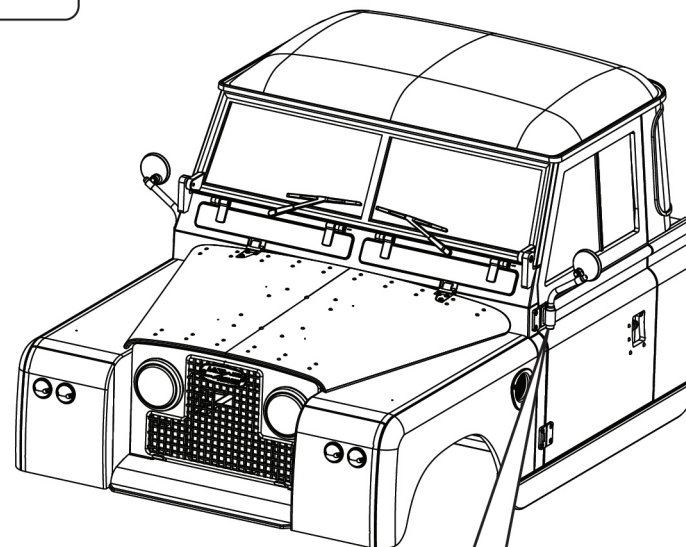
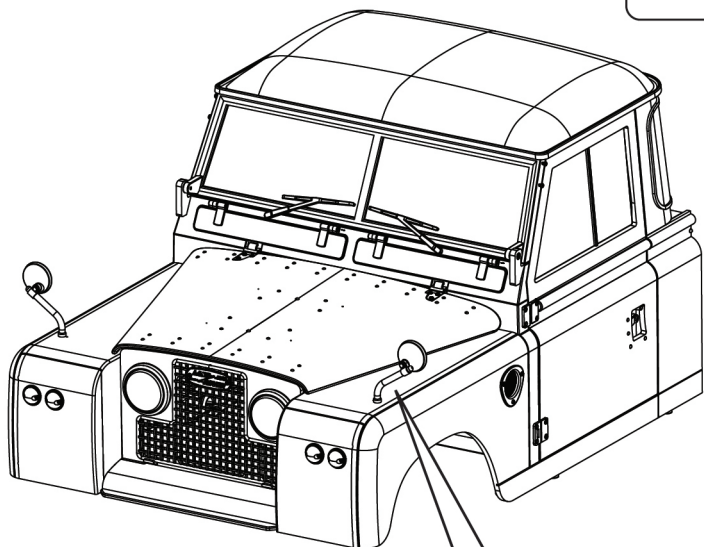
CONVERTIBLE

P. 26

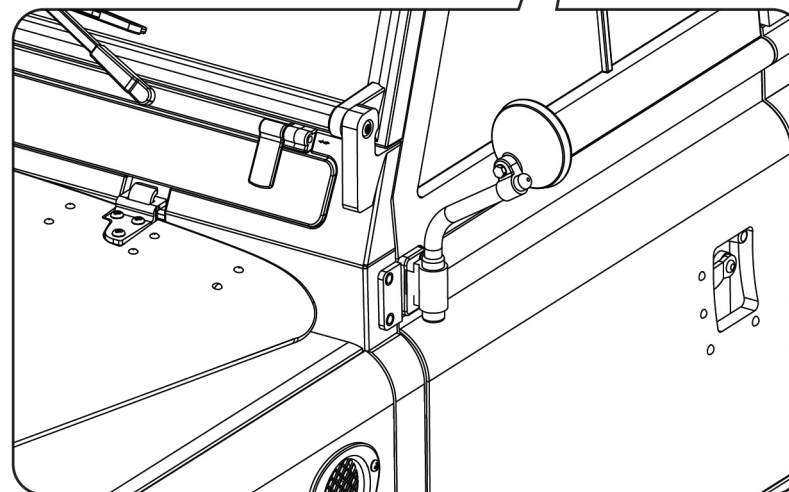
Continue to the next page if hardtop. Skip to page 26 if convertible.



PICK YOUR SIDE MIRROR LOCATION

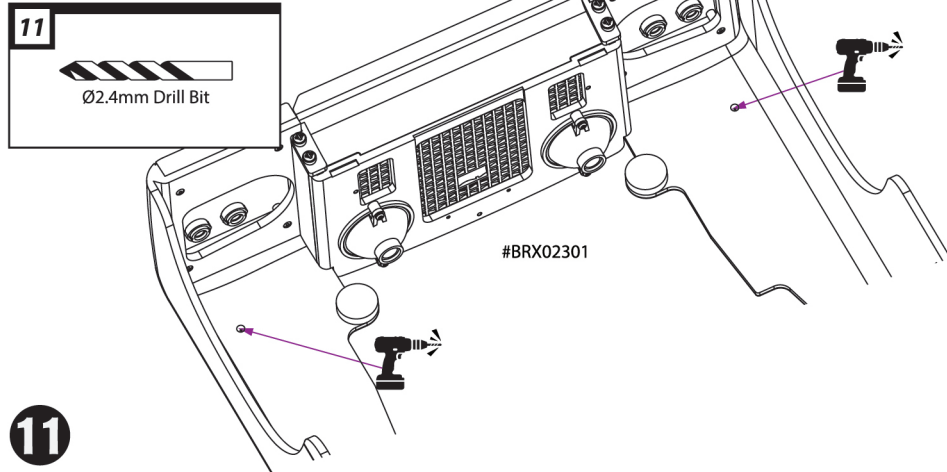


FENDER MIRRORS



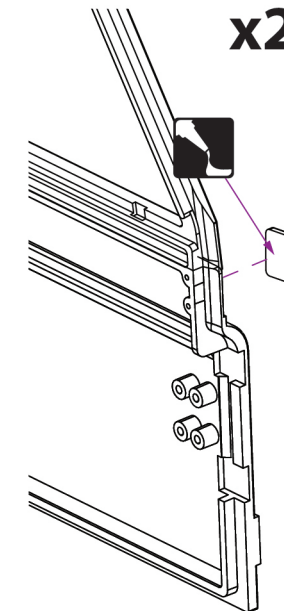
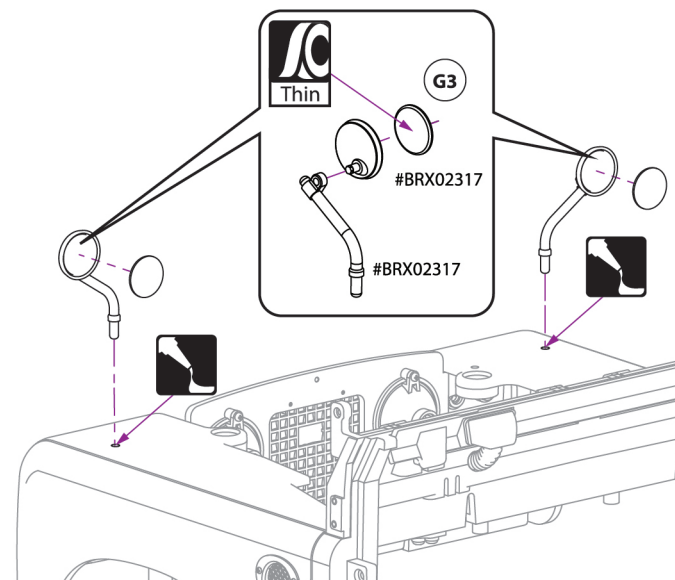
DOOR MIRRORS

FENDER MIRRORS



11

Drill two 2.4mm holes into the front main body from underneath as indicated. Use the provided double-sided tape (thin) to stick the mirror plate to the rubber mirror head and push the head into the mirror arm. Push the mirror arm into the holes that you just drilled. Then glue from the bottom into position. Repeat on the other side. Also on the door, stick the door blanking plate on both doors.



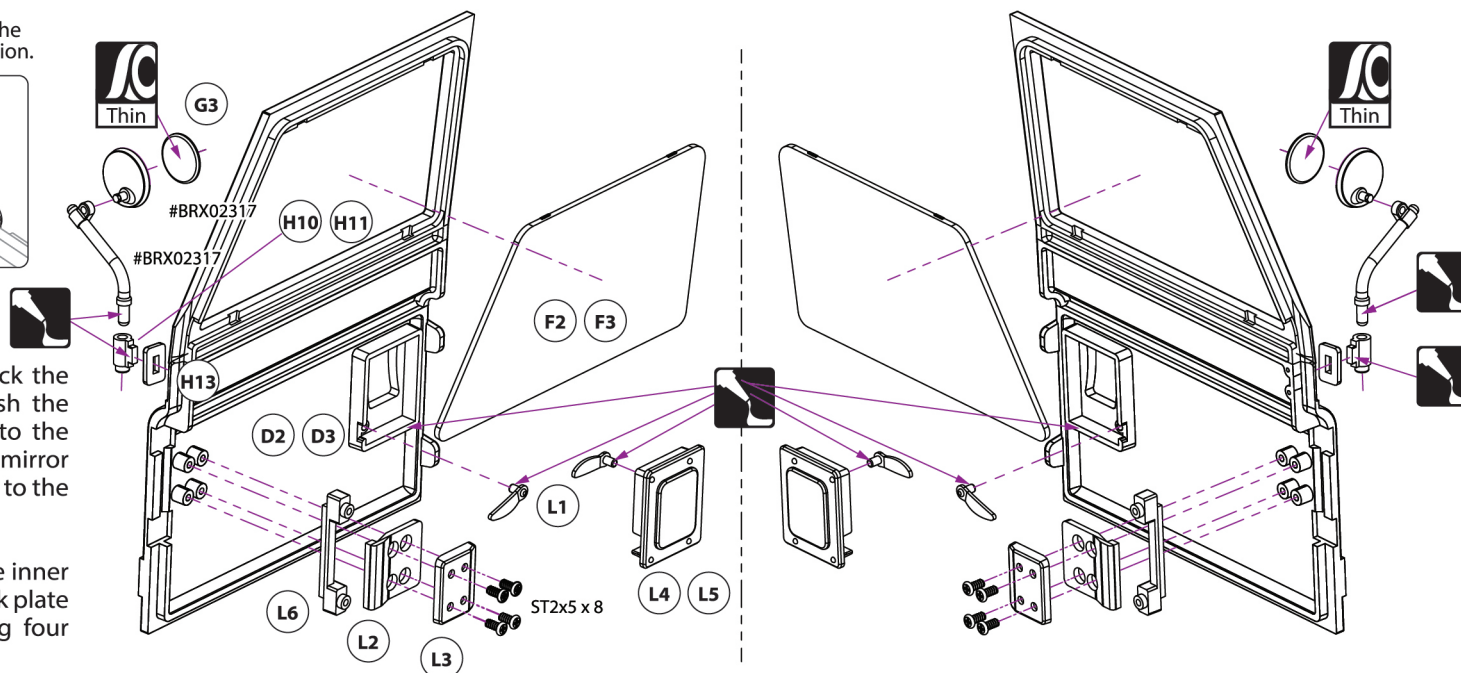
DOOR MIRRORS



11

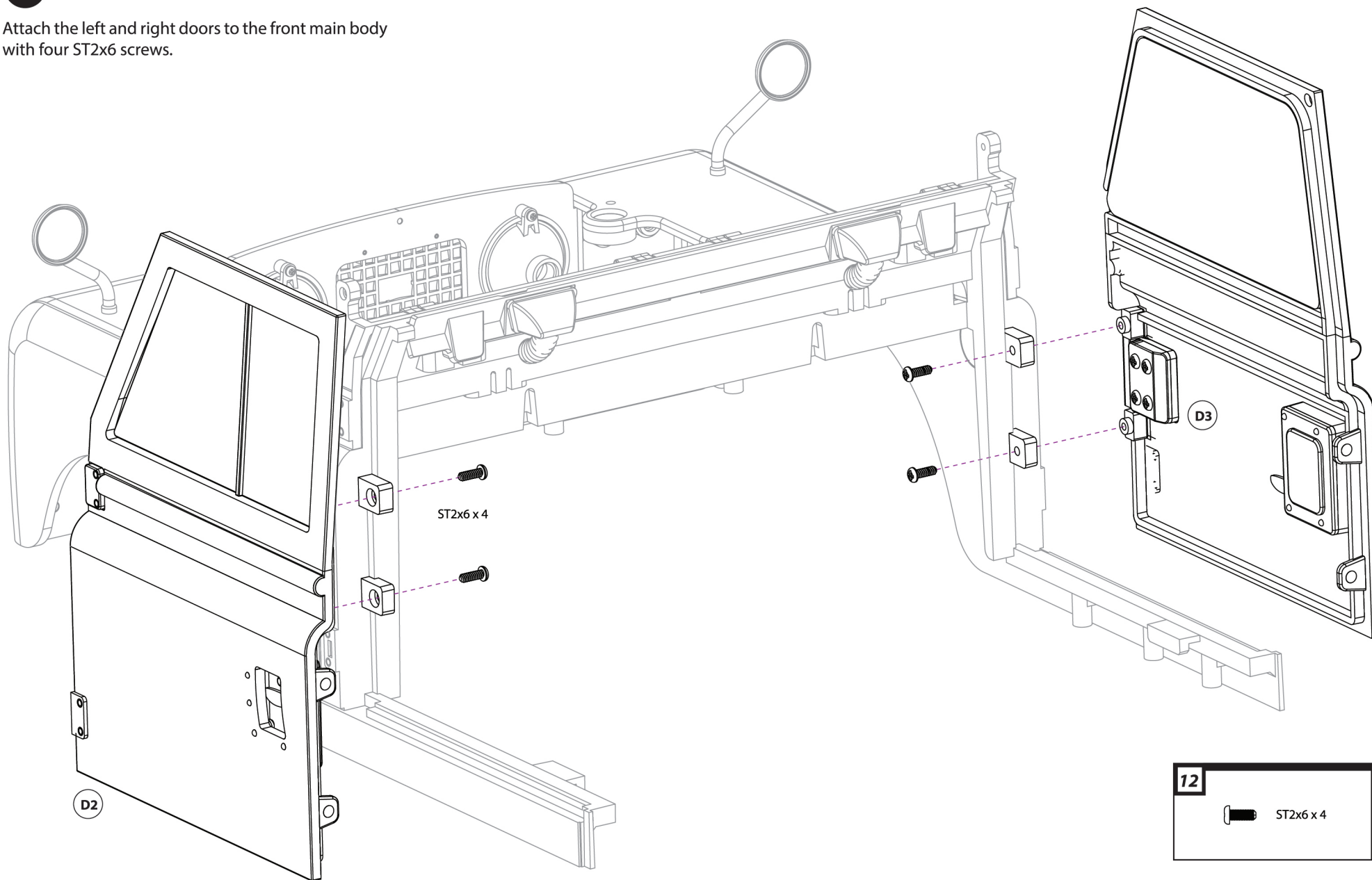
Use the provided double-sided tape (thin) to stick the mirror plate to the rubber mirror head and push the head into the mirror arm. Glue the mirror arm to the mirror retaining plate, and then glue the whole assembly to the door. Repeat for the other side.

Clip the clear side window into position. Insert the inner and outer door handles into the door and door lock plate and glue into position. Attach door hinge using four ST2x5 screws. Repeat on the other side.



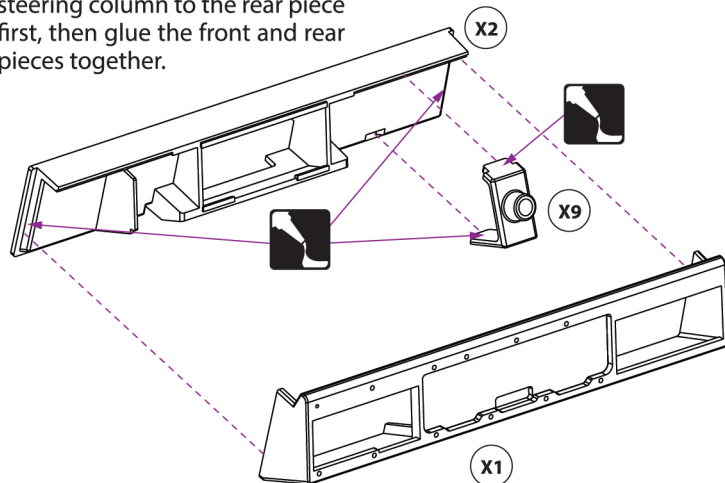
12

Attach the left and right doors to the front main body with four ST2x6 screws.



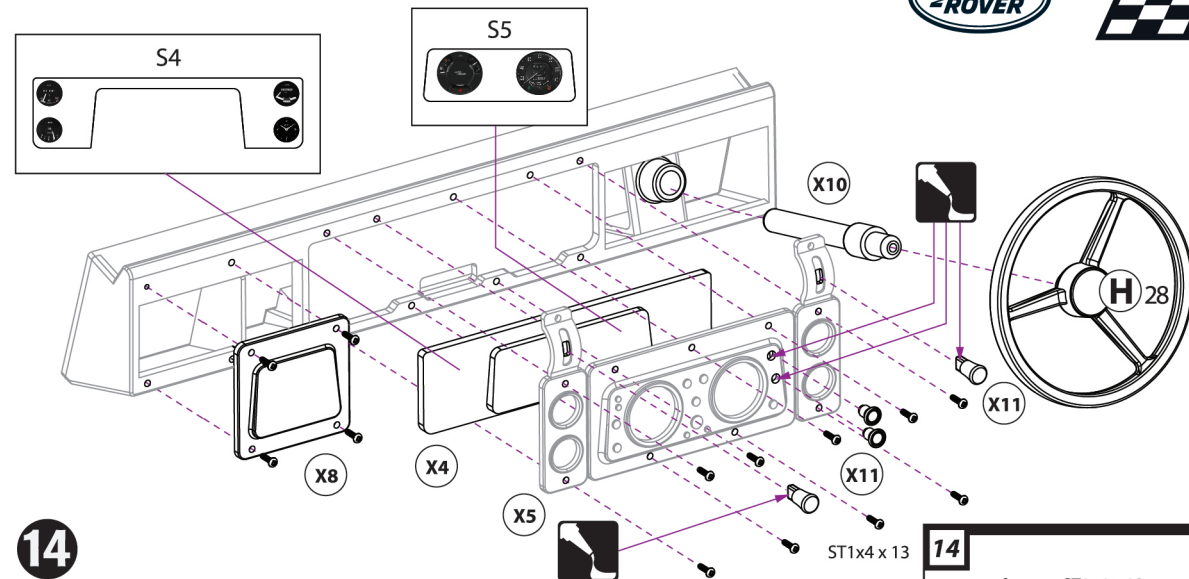
13

To build the dash panel, glue the steering column to the rear piece first, then glue the front and rear pieces together.

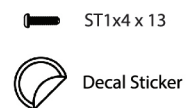


14

Attach the two decals to the instrument plate and place into the dash panel. Glue the four dash controls to the outer instrument panel and attach it to the dash panel with nine ST1x4 screws. Attach the side panel with four ST1x4 screws. Insert steering shaft into steering column and attach the steering wheel.

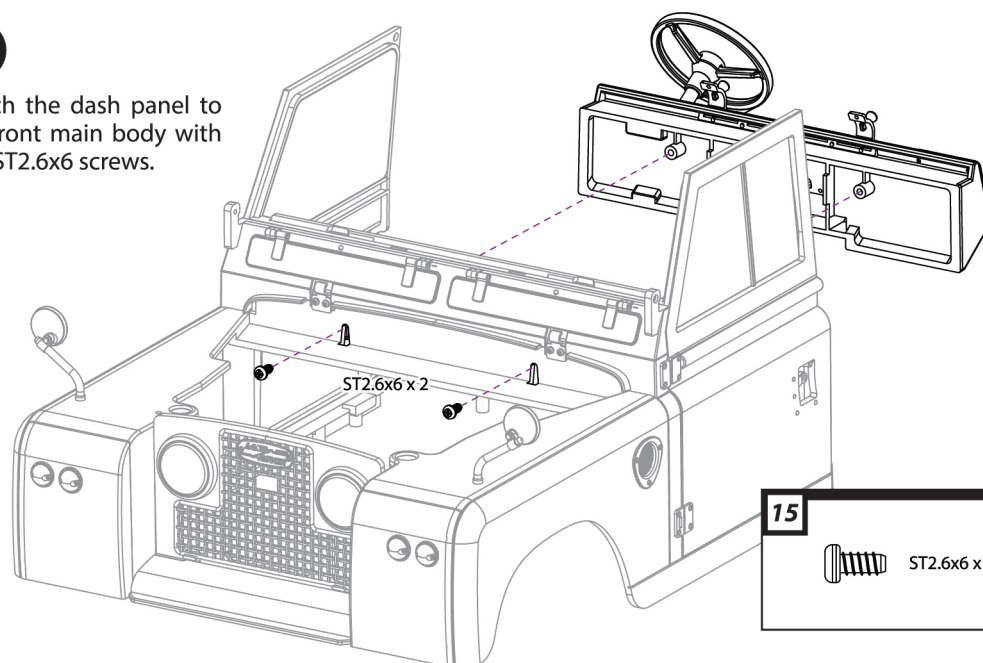


14



15

Attach the dash panel to the front main body with two ST2.6x6 screws.

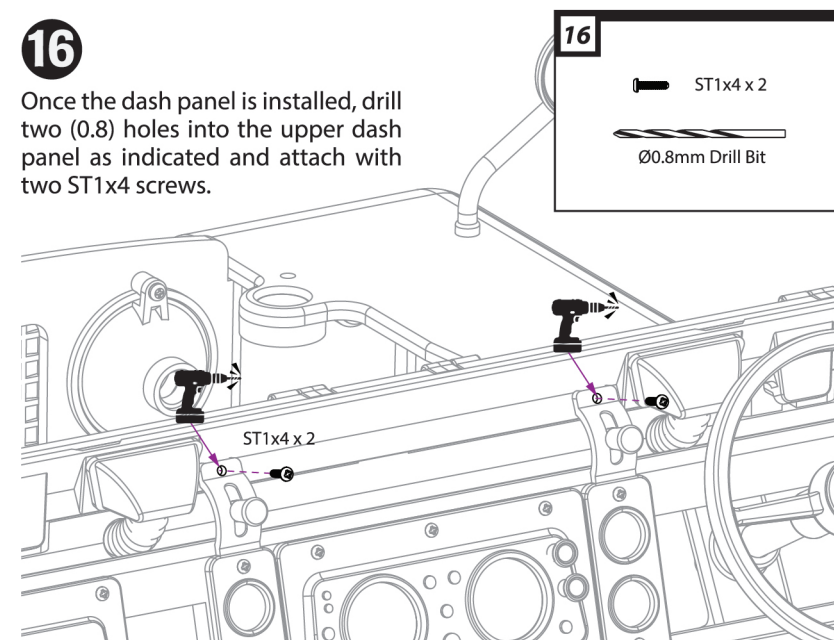


15

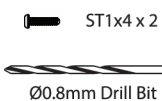


16

Once the dash panel is installed, drill two (0.8) holes into the upper dash panel as indicated and attach with two ST1x4 screws.

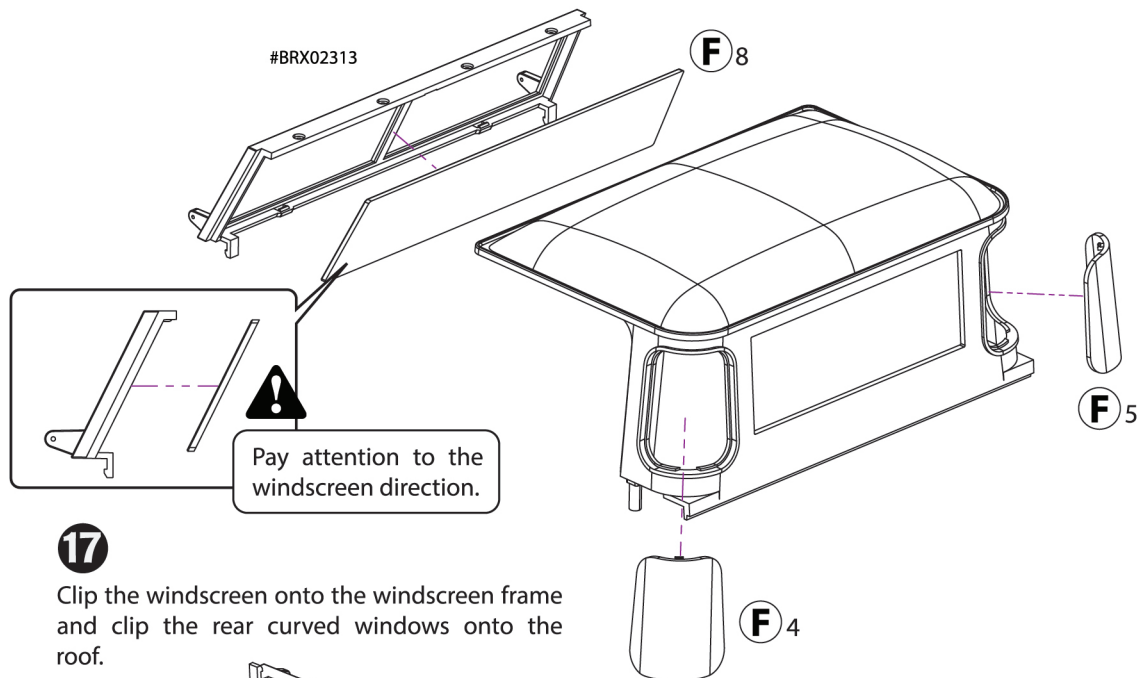


16



#BRX02313

F 8



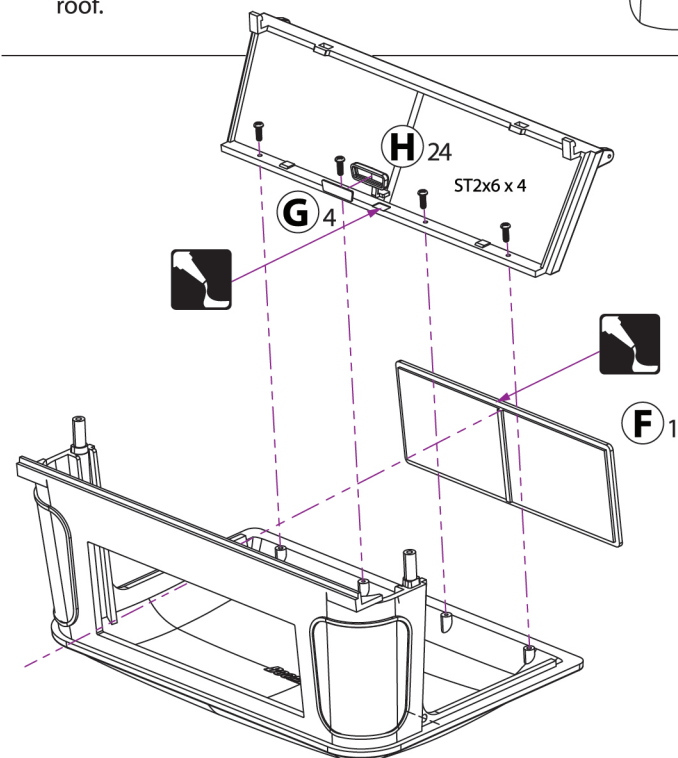
17

Clip the windscreen onto the windscreen frame and clip the rear curved windows onto the roof.

F 4

18

ST2x6 x 4

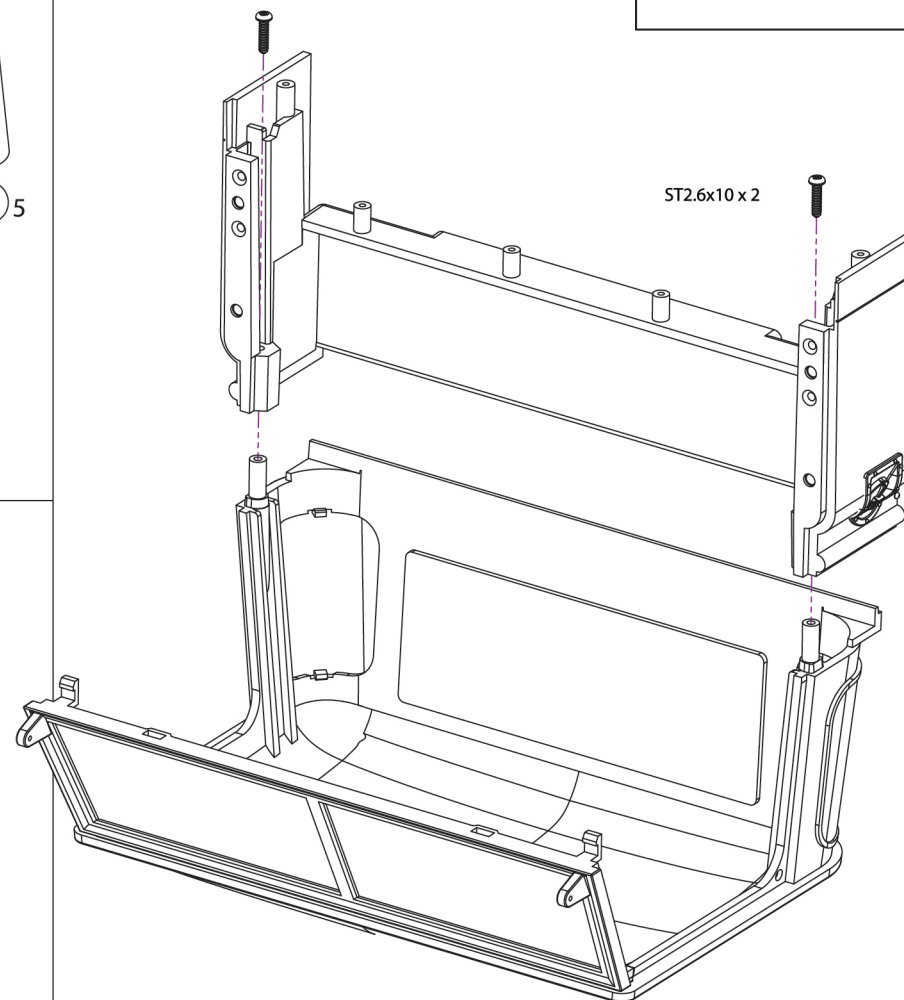


18

Glue the rear window onto the roof and the interior mirror onto the windscreen frame. Attach the frame to the pickup roof using four ST2x6 screws.

19

ST2.6x10 x 2




19

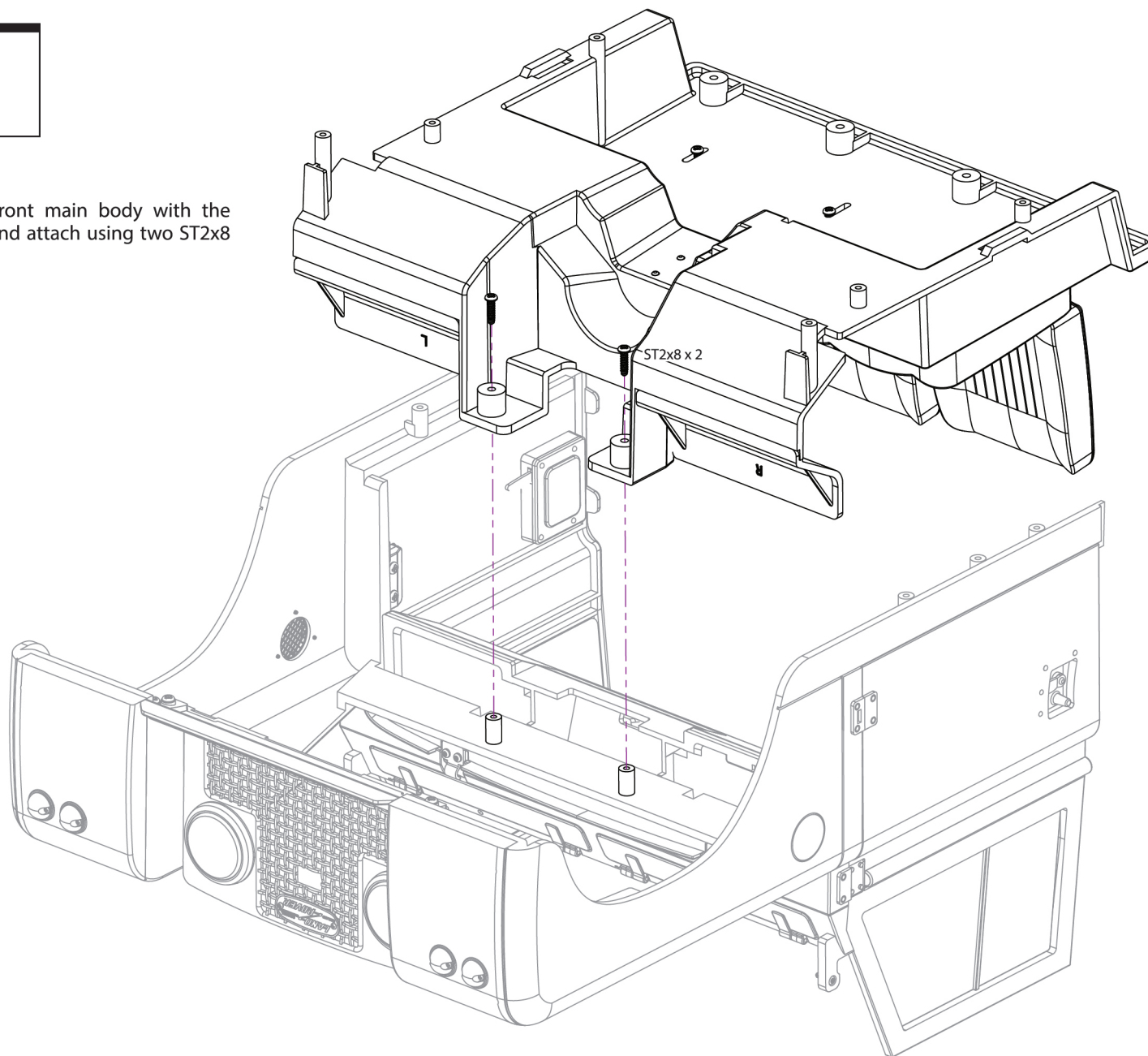
Insert the roof into the rear cab bulkhead and tighten it down with two ST2.6x10 screws.



20

 ST2x8 x 2

- 20** Line up the front main body with the interior floor and attach using two ST2x8 screws.

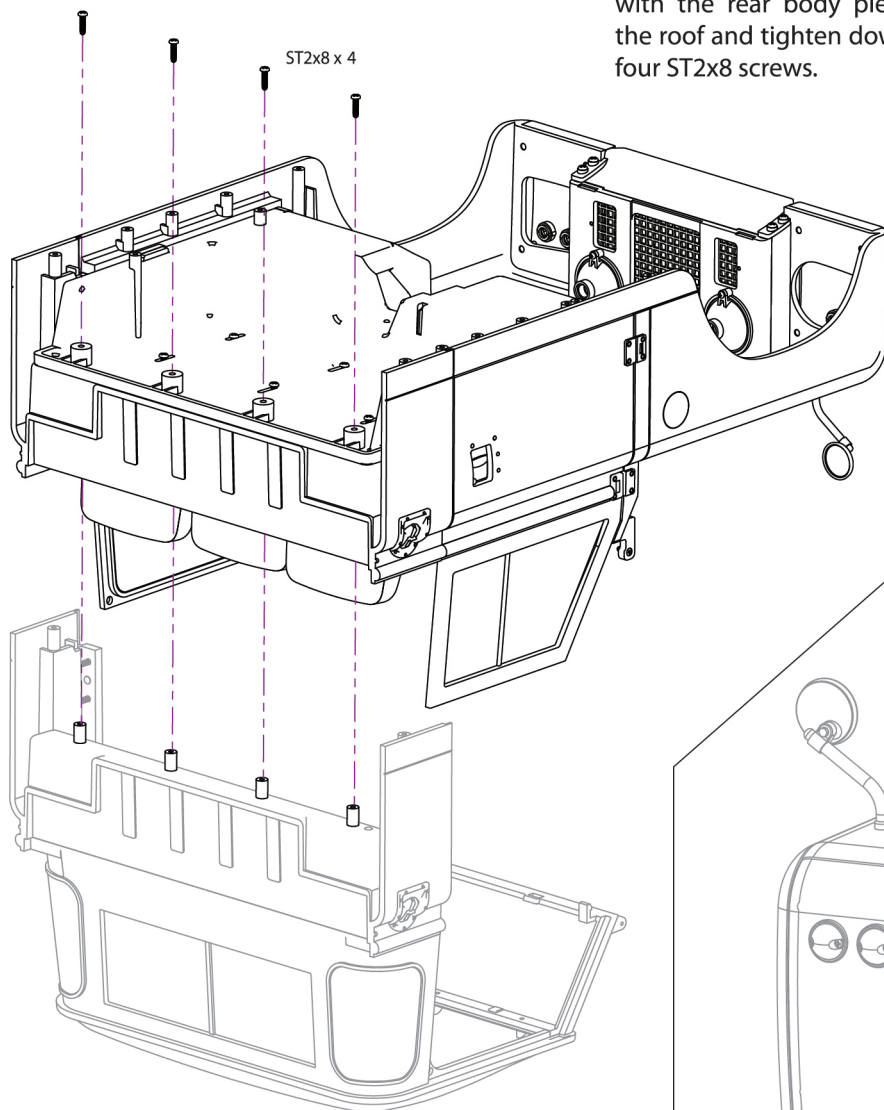


21

ST2x8 x 4

21

Line up the front main body with the rear body piece and the roof and tighten down with four ST2x8 screws.

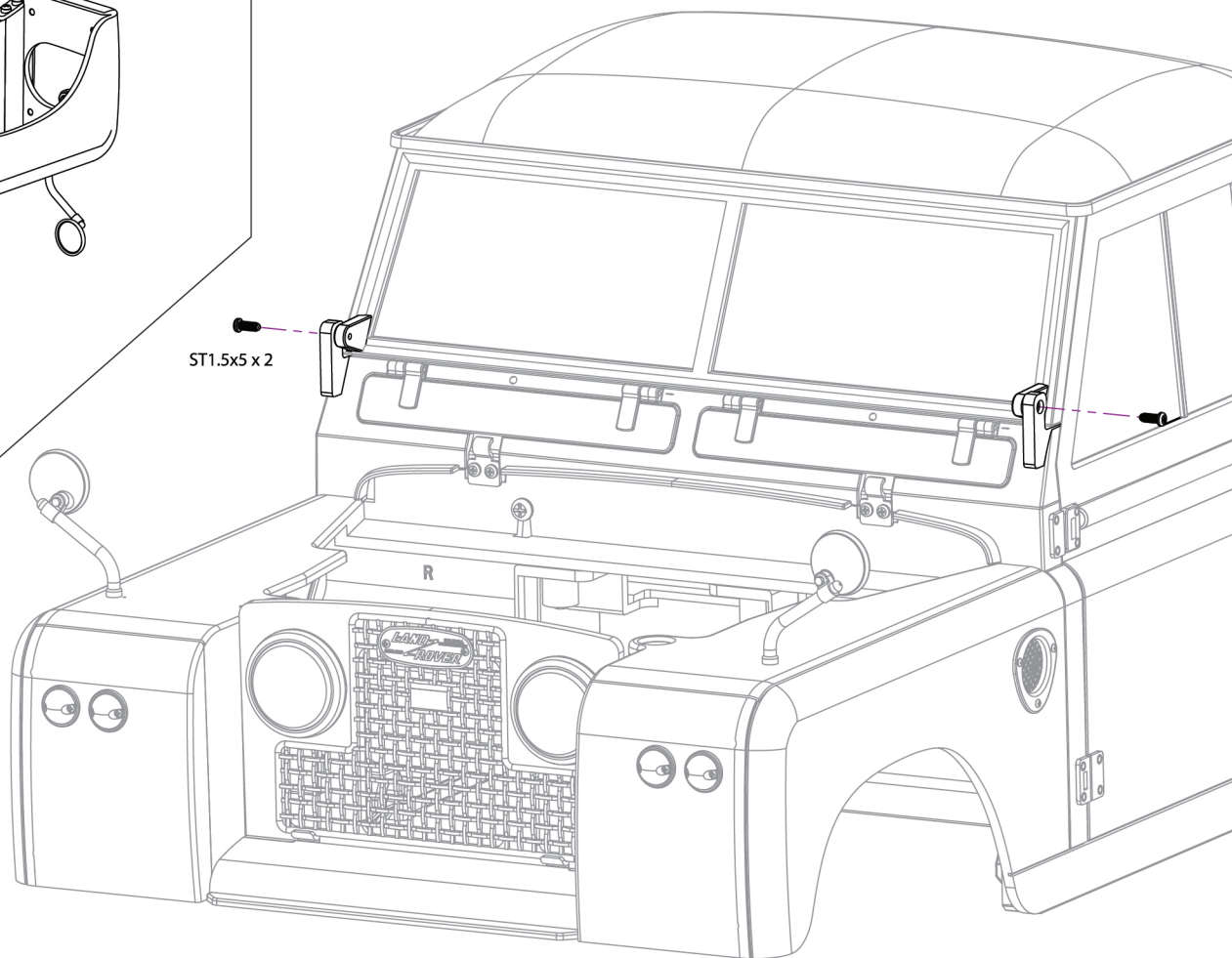


22

Attach the windscreen frame to the vent panel hinge mounts with two ST1.5x5 screws.

22

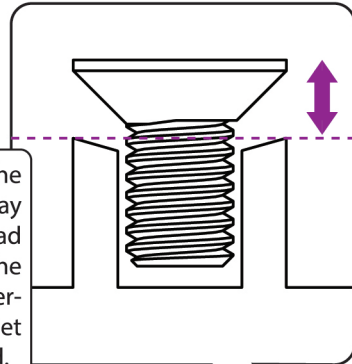
ST1.5x5 x 2



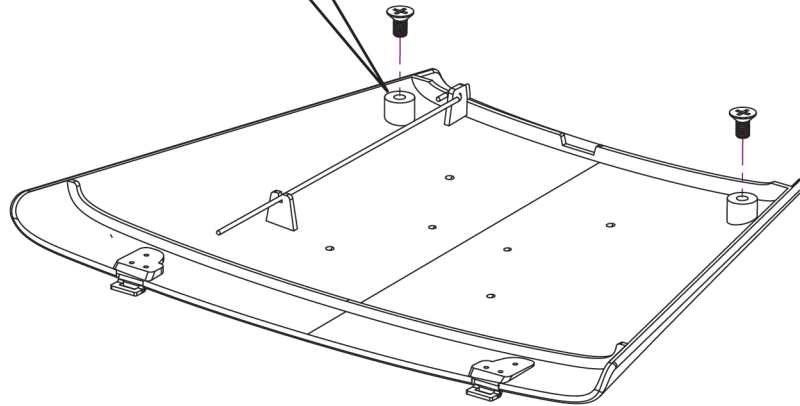
Use the two STCS3x6 screws to adjust the height of the bonnet and how tight they latch to the magnet.



Do not tighten the screws all the way down. The head must not pass the dotted line, otherwise the bonnet can be damaged.

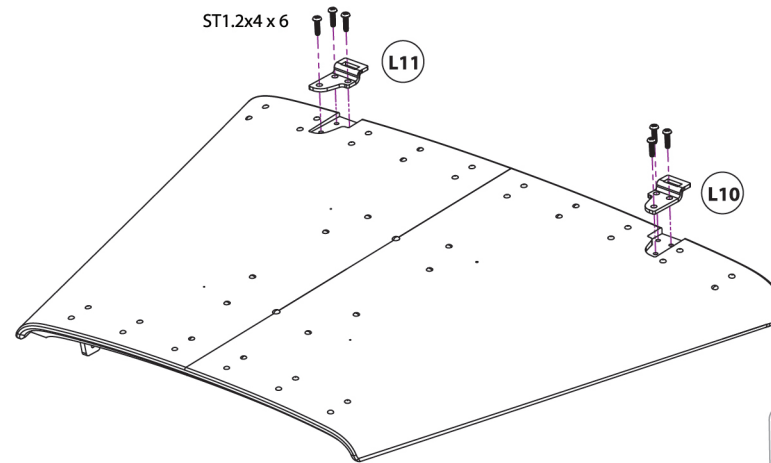


STCS3x6 x 2



ST1.2x4 x 6

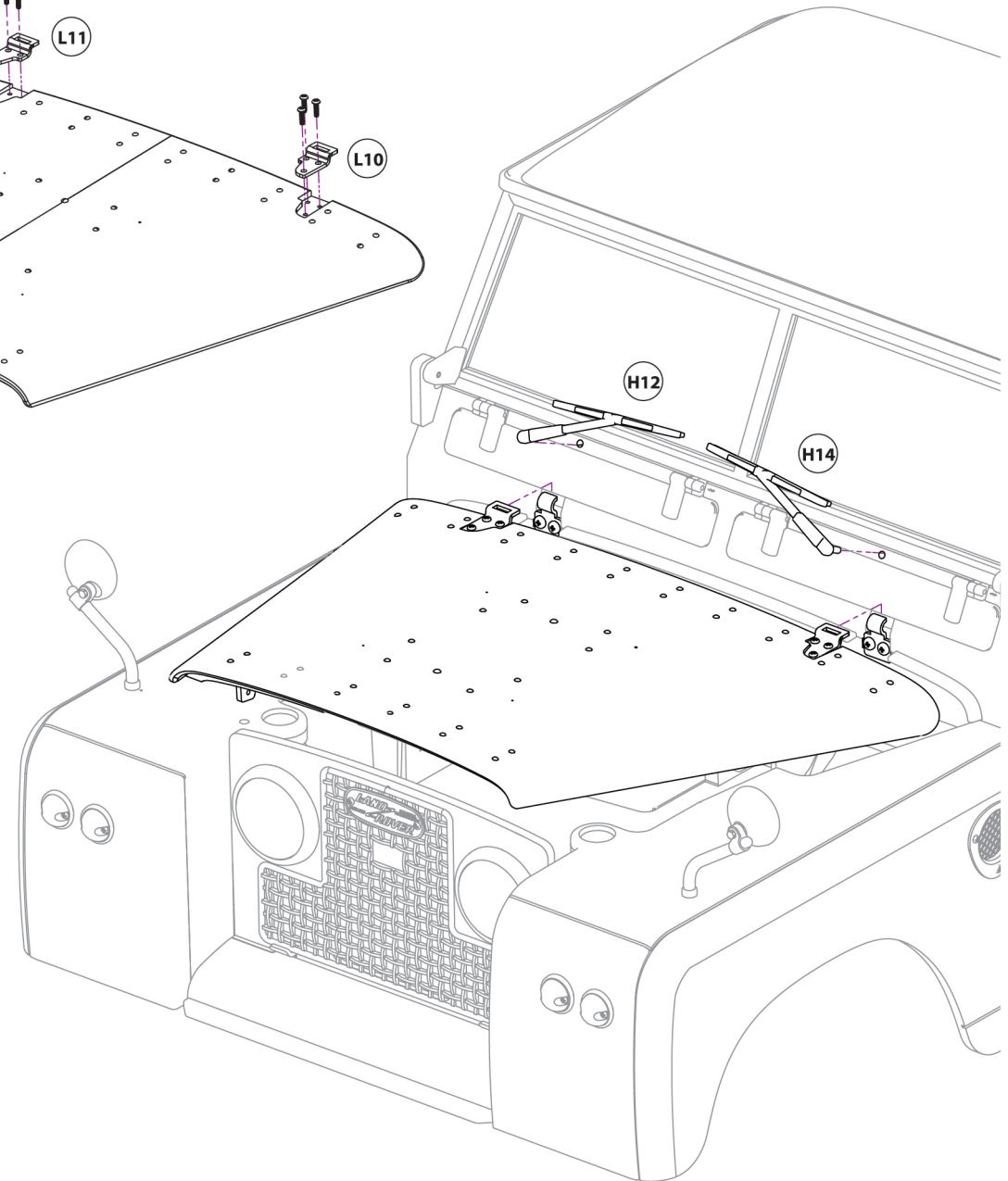
L11



L10

H12

H14



23

ST1.2x4 x 6

STCS3x6 x 2

23

Attach the left and right bonnet hinge to the bonnet with six ST1.2x4 screws and two STCS3x6 screws into the bonnet. Attach the windscreen wipers.

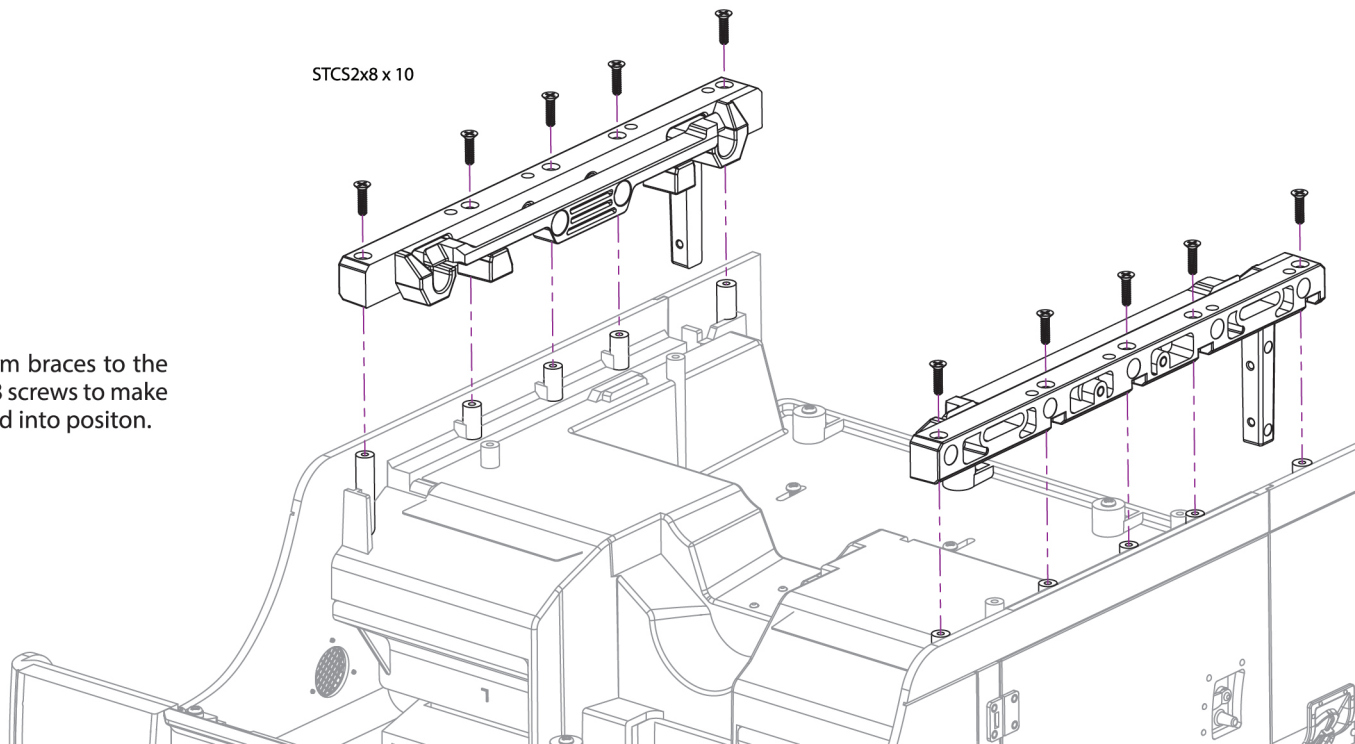
24

 STCS2x8 x 10

STCS2x8 x 10

24

Install the two aluminum braces to the body using ten STCS2x8 screws to make sure everything is locked into position.

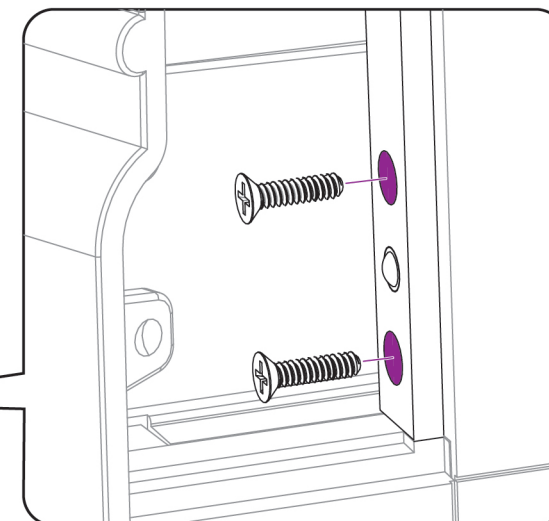
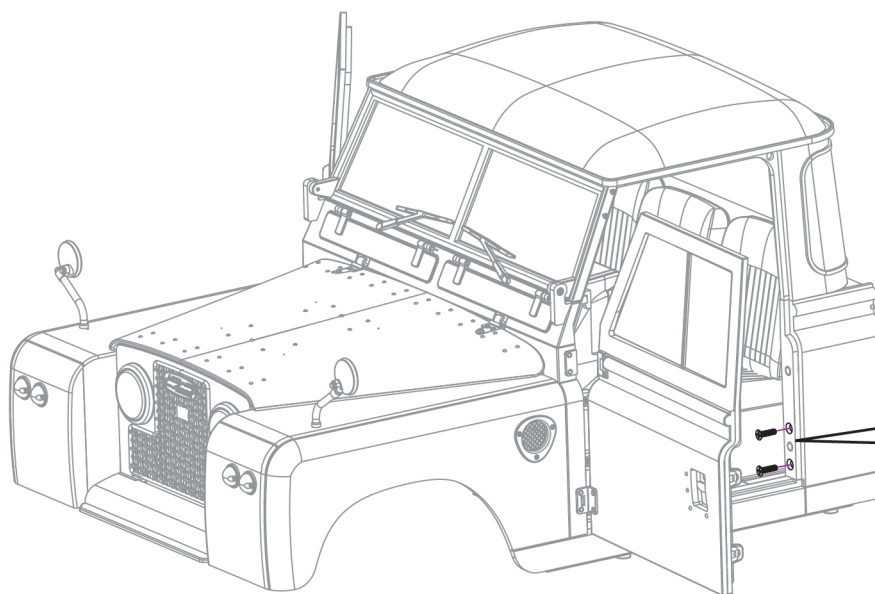


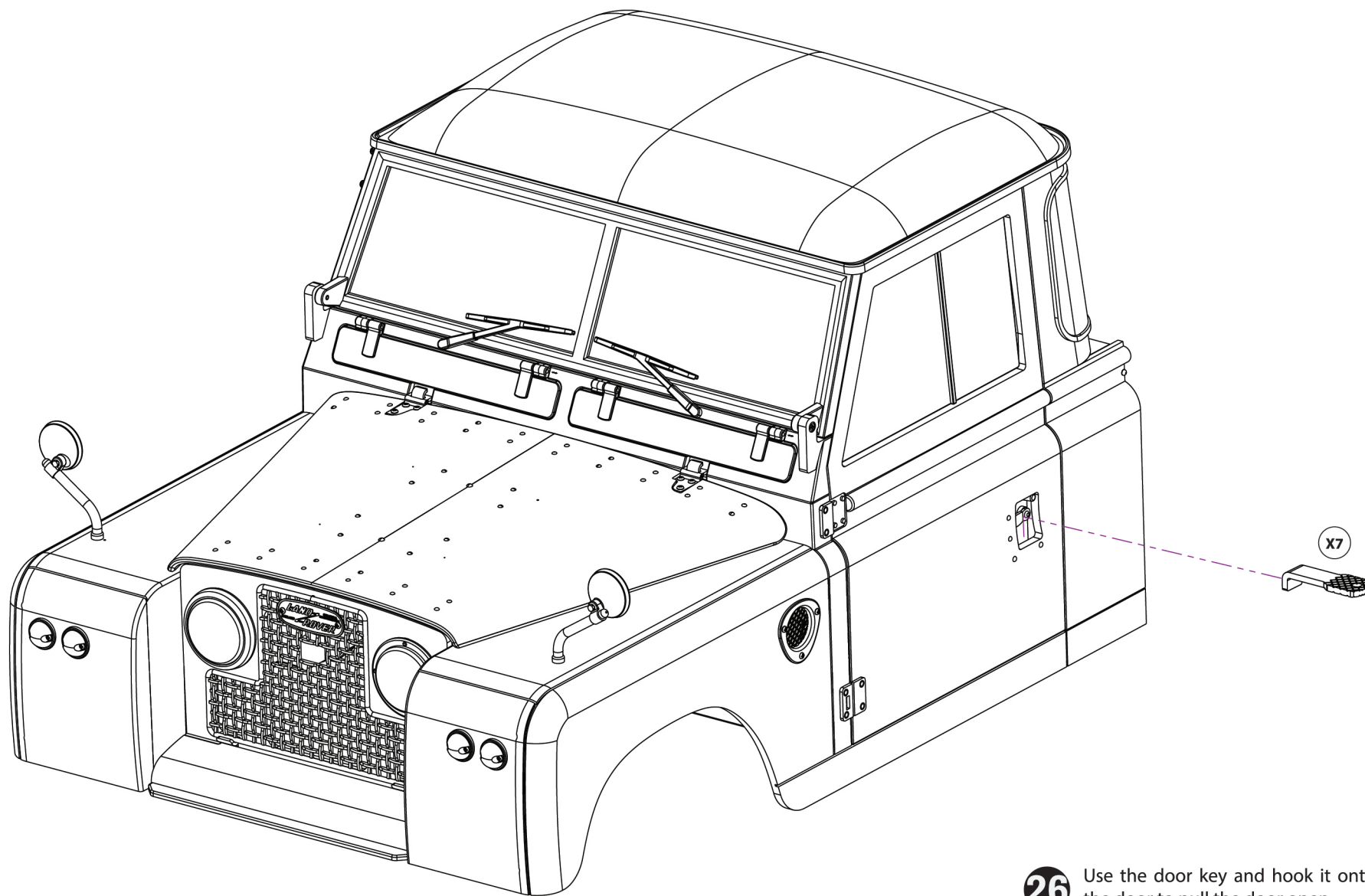
25

 M2x8CS

25

Open the doors and fasten two M2x8CS screws on each side into the aluminum brace. Repeat on other side.

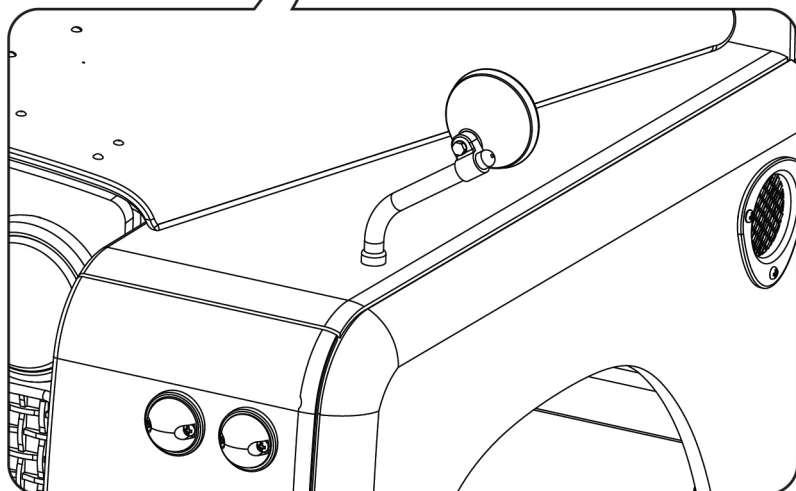
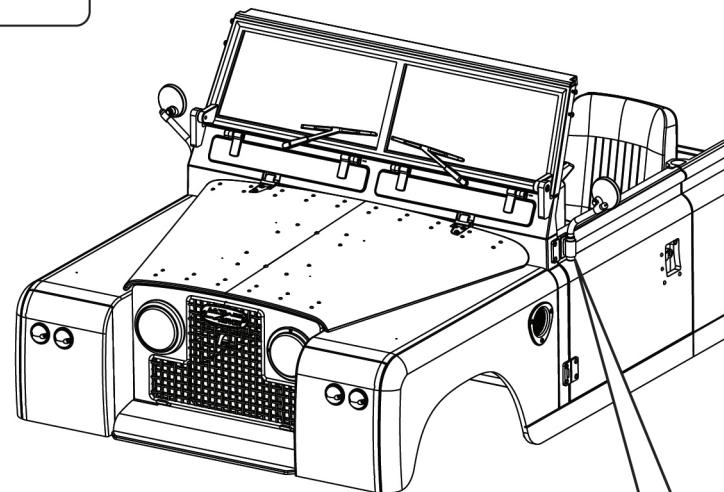
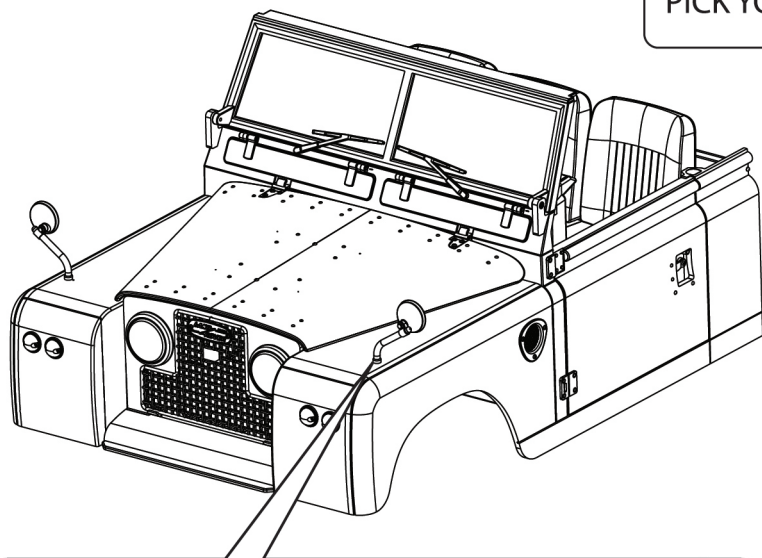




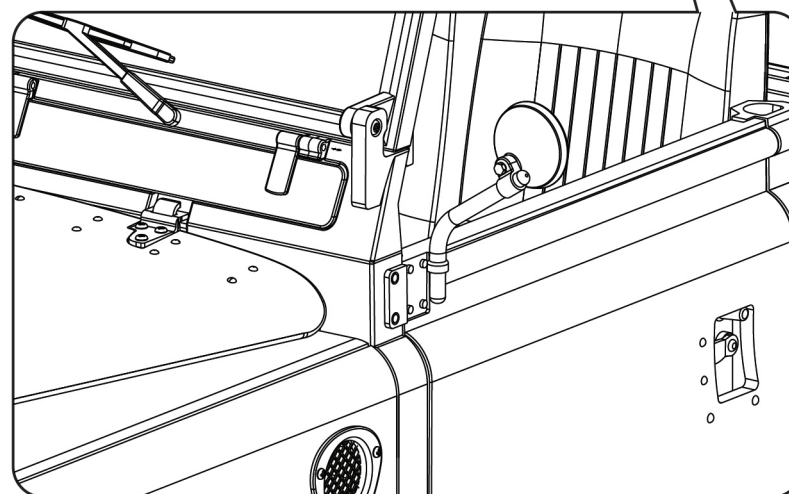
26 Use the door key and hook it onto the door to pull the door open.



PICK YOUR SIDE MIRROR LOCATION

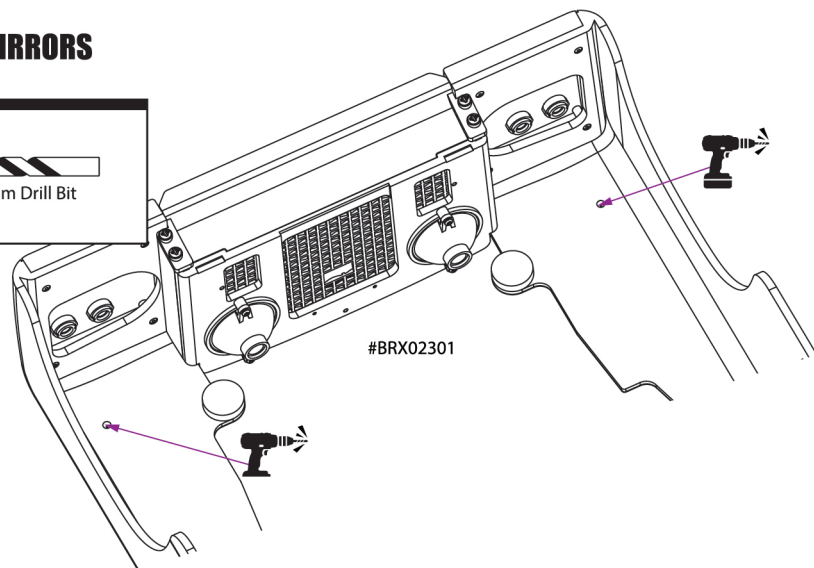


FENDER MIRRORS



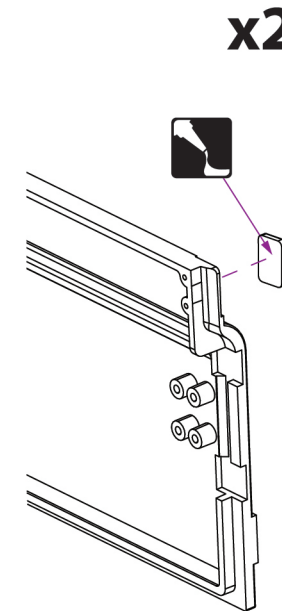
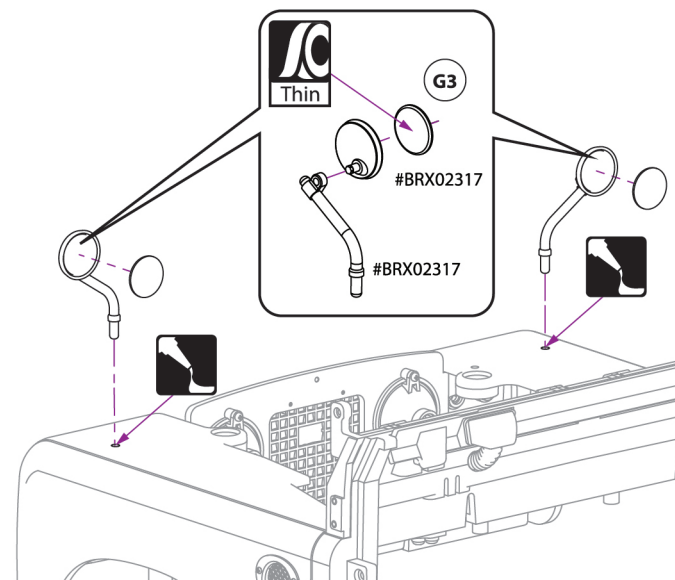
DOOR MIRRORS

FENDER MIRRORS

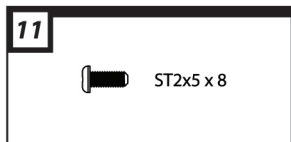


11

Drill two 2.4mm holes into the front main body from underneath as indicated. Use the provided double-sided tape (thin) to stick the mirror plate to the rubber mirror head and push the head into the mirror arm. Push the mirror arm into the holes that you just drilled. Then glue from the bottom into position. Repeat on the other side. Also on the door, stick the door blanking plate on both doors.



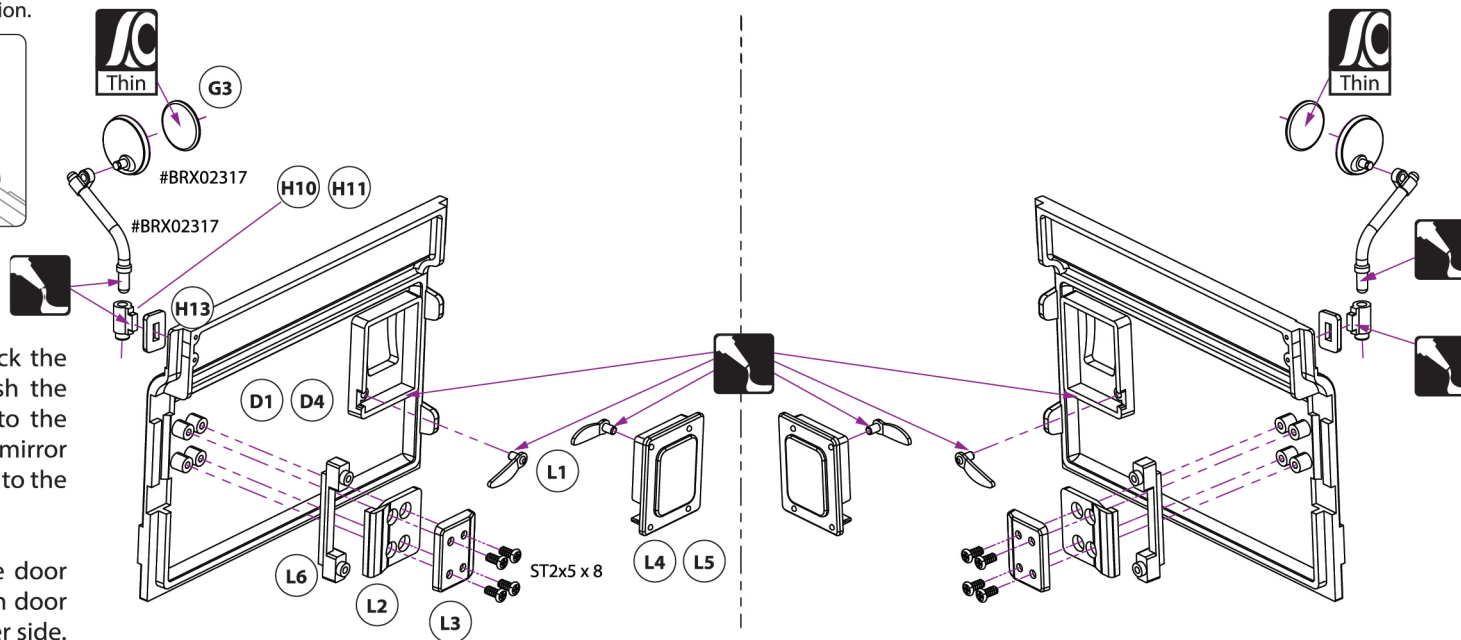
DOOR MIRRORS



11

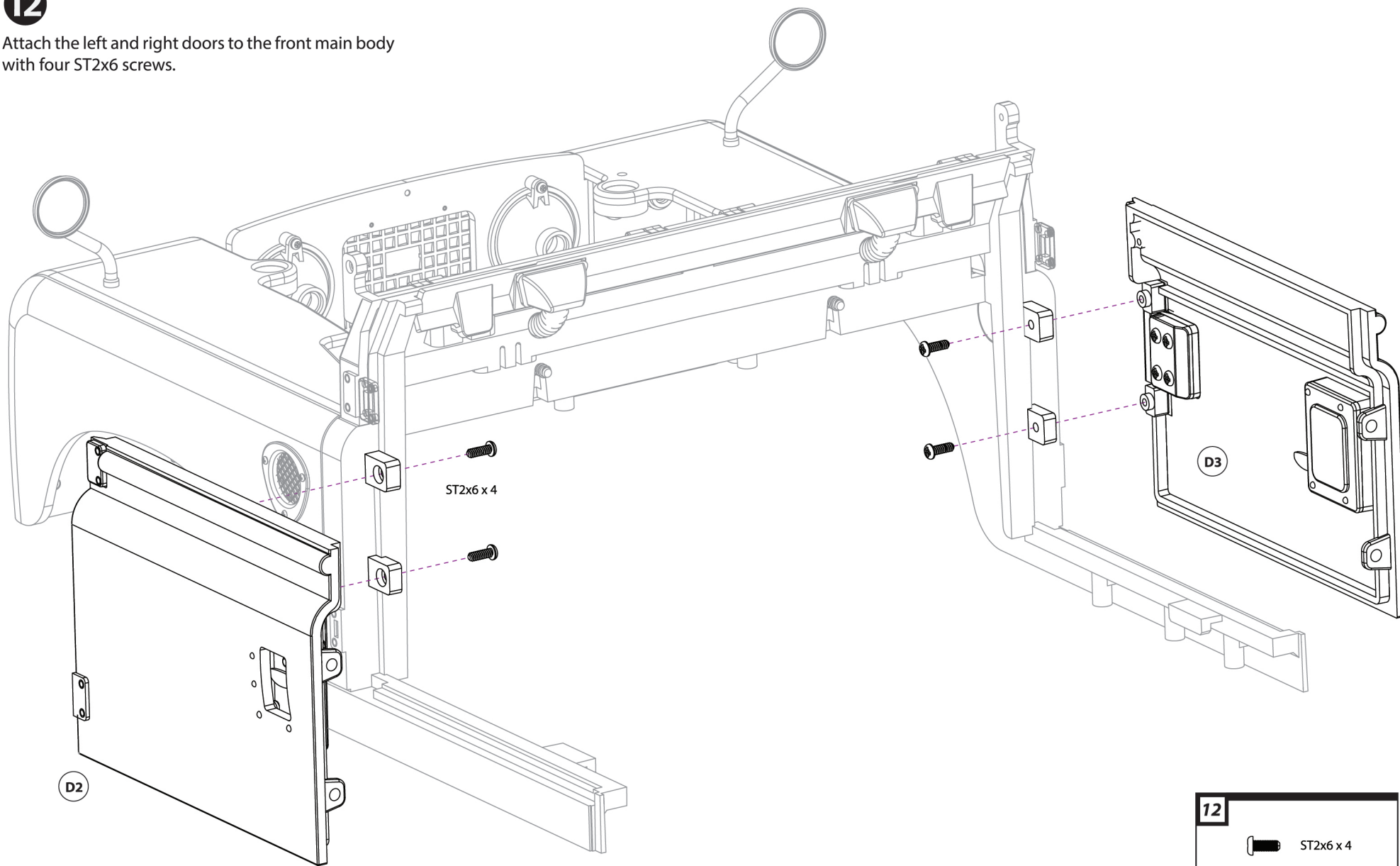
Use the provided double-sided tape (thin) to stick the mirror plate to the rubber mirror head and push the head into the mirror arm. Glue the mirror arm to the mirror arm holder. Next, glue the assembly to the mirror retaining plate, and then glue the whole assembly to the door. Repeat for the other side.

Insert the inner and outer door handles into the door and door lock plate and glue into position. Attach door hinge using four ST2x5 screws. Repeat on the other side.



12

Attach the left and right doors to the front main body with four ST2x6 screws.

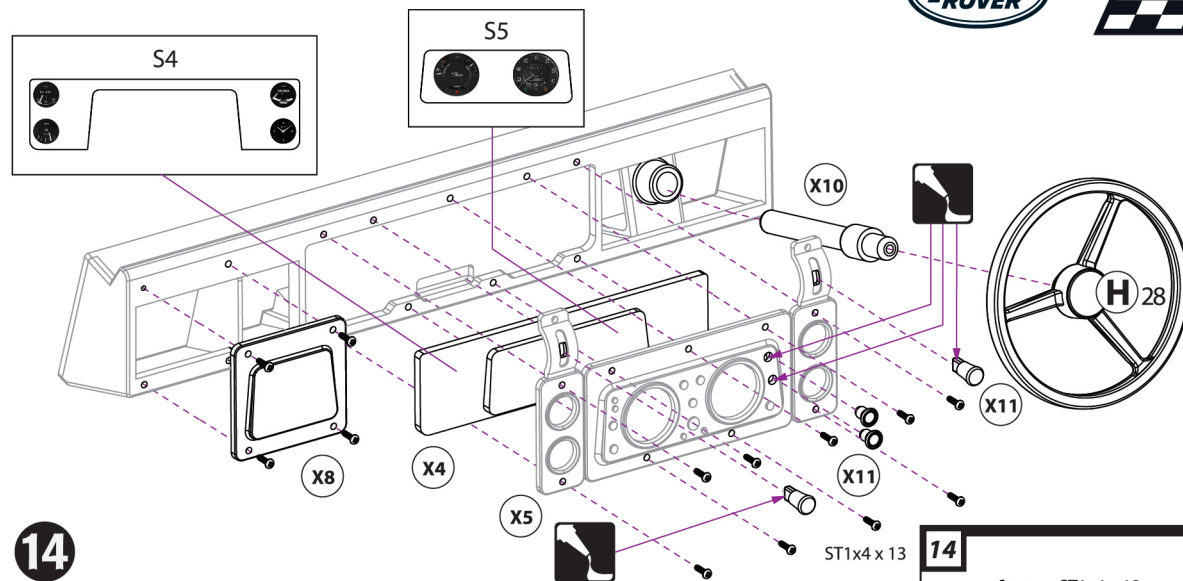
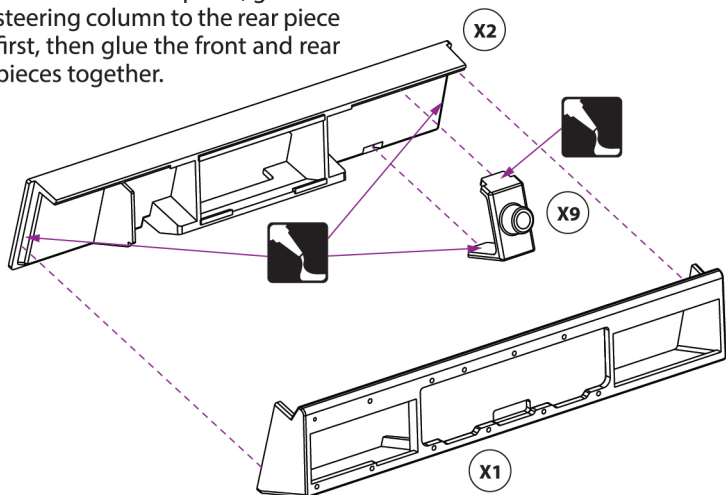


CONVERTIBLE

CONVERTIBLE

13

To build the dash panel, glue the steering column to the rear piece first, then glue the front and rear pieces together.



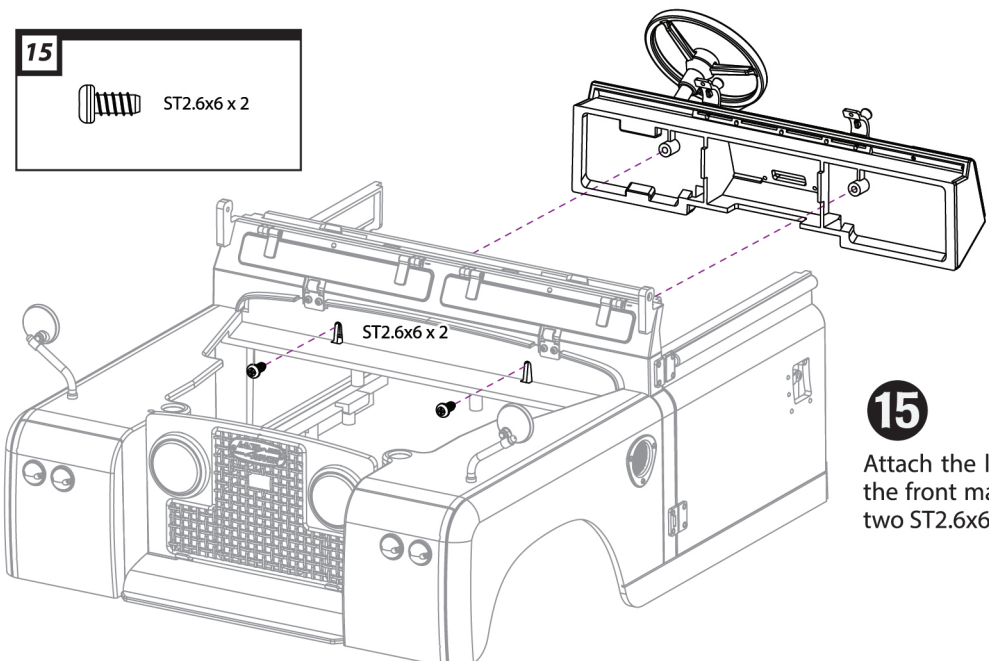
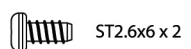
14

Attach the two decals to the instrument plate and place into the dash panel. Glue the four dash controls to the outer instrument panel and attach it to the dash panel with nine ST1x4 screws. Attach the side panel with four ST1x4 screws. Insert steering shaft into steering column and attach the steering wheel.

14

- ST1x4 x 13
- Decal Sticker

15



15

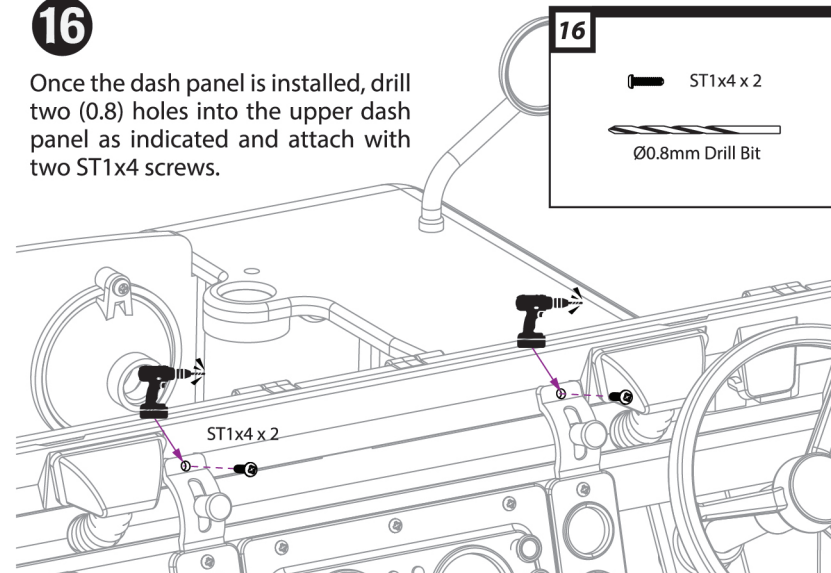
Attach the lower dash to the front main body with two ST2.6x6 screws.

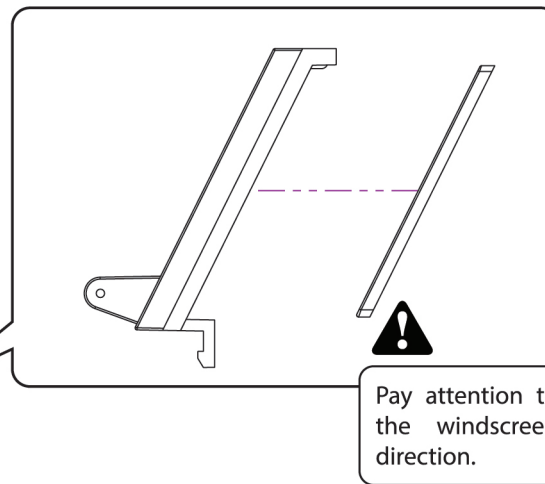
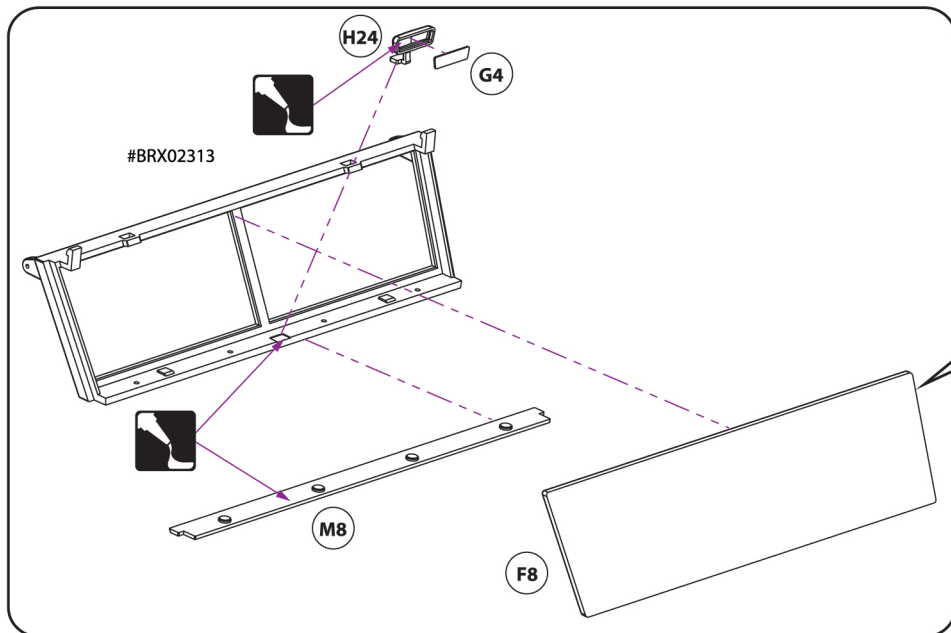
16

Once the dash panel is installed, drill two (0.8) holes into the upper dash panel as indicated and attach with two ST1x4 screws.

16

- ST1x4 x 2
- Ø0.8mm Drill Bit





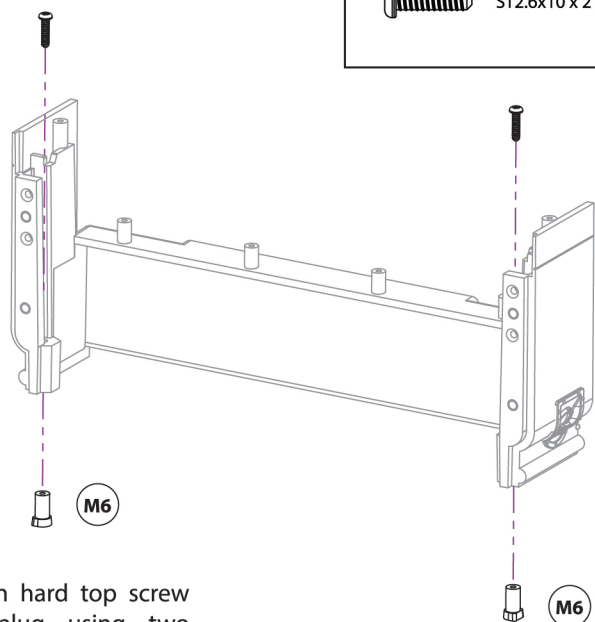
18

ST1.5x5 x 2

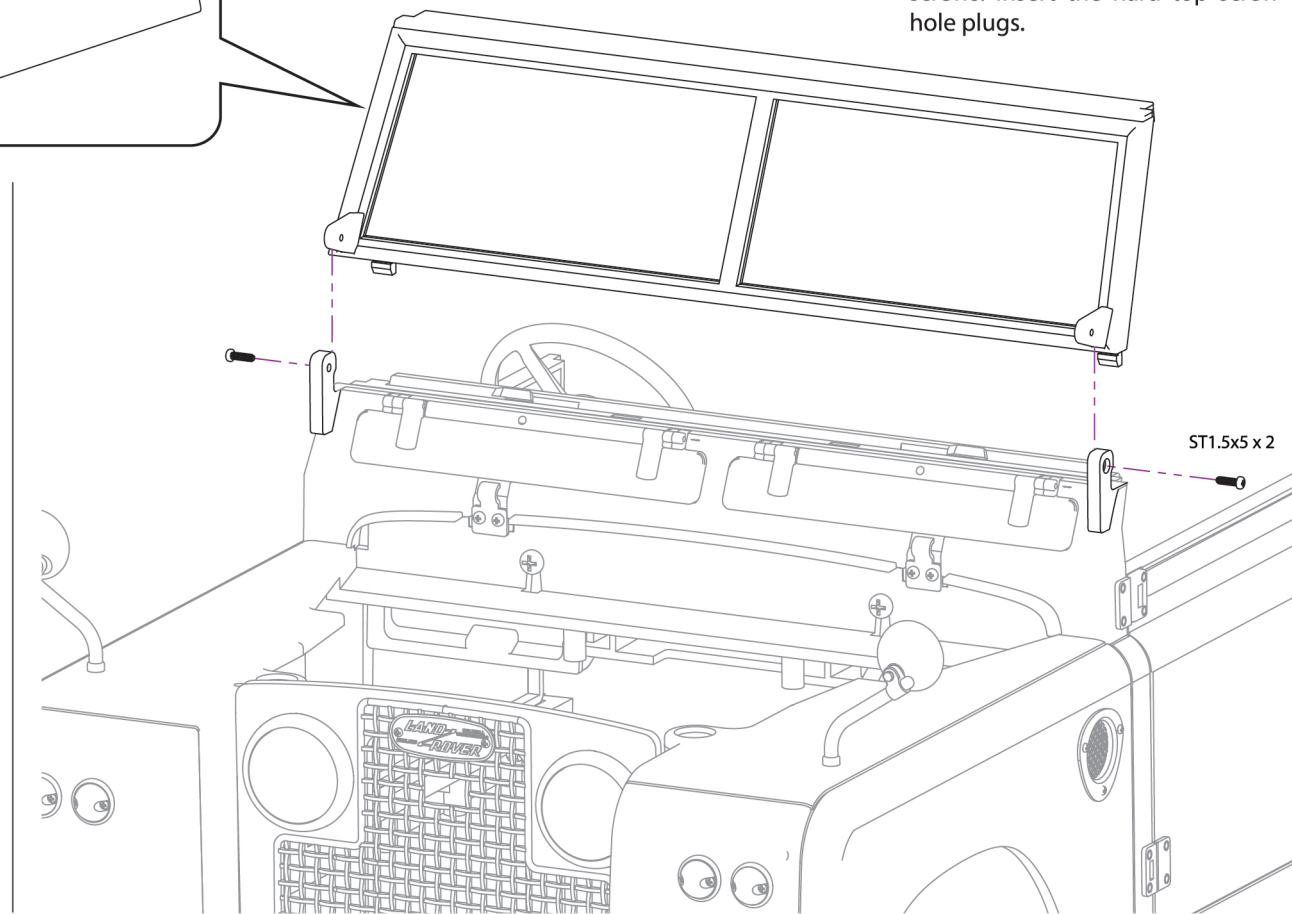
18 Clip the windscreen onto the windscreen frame and glue the interior mirror onto the windscreen frame. Attach the windscreen frame top with glue. Attach the windscreen frame to the vent panel hinge mounts with two ST1.5x5 screws. Insert the hard top screw hole plugs.

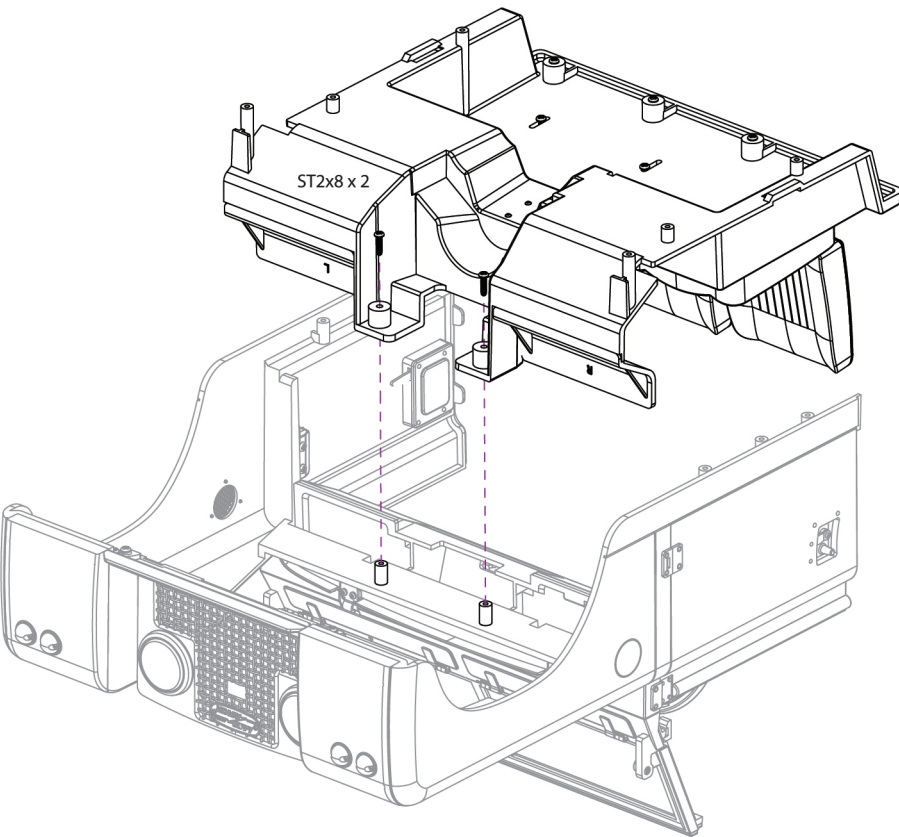
17

ST2.6x10 x 2

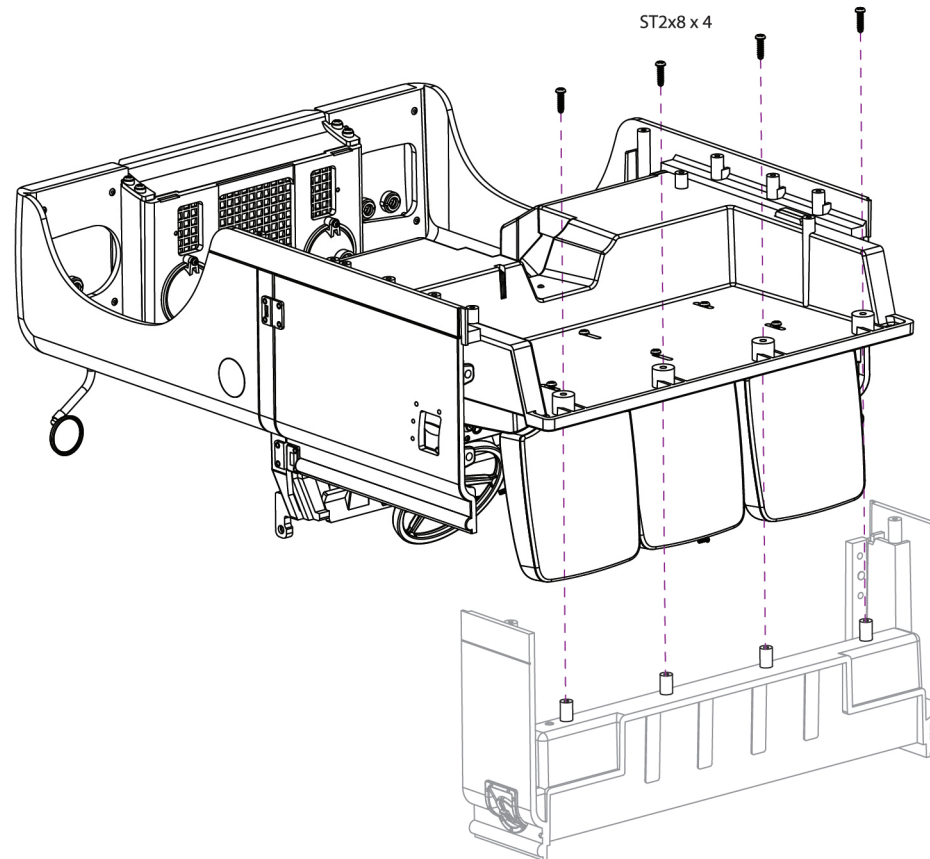


17 Tighten hard top screw hole plug using two ST2.6x10 screws.





19 Line up the front main body with the interior floor and attach using two ST2x8 Screws.

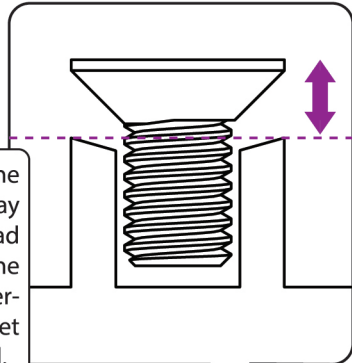


20 Line up the front main body with the rear cab bulkhead and tighten down with four ST2x8 screws.

Use the two STCS3x6 screws to adjust the height of the bonnet and how tight they latch to the magnet.



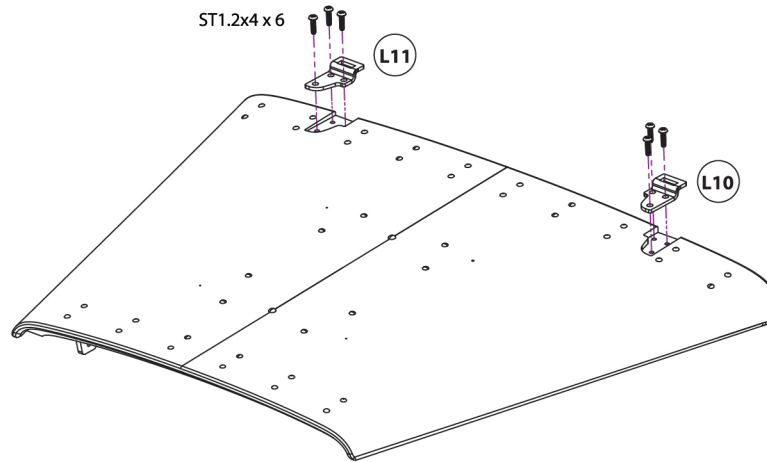
Do not tighten the screws all the way down. The head must not pass the dotted line, otherwise the bonnet can be damaged.



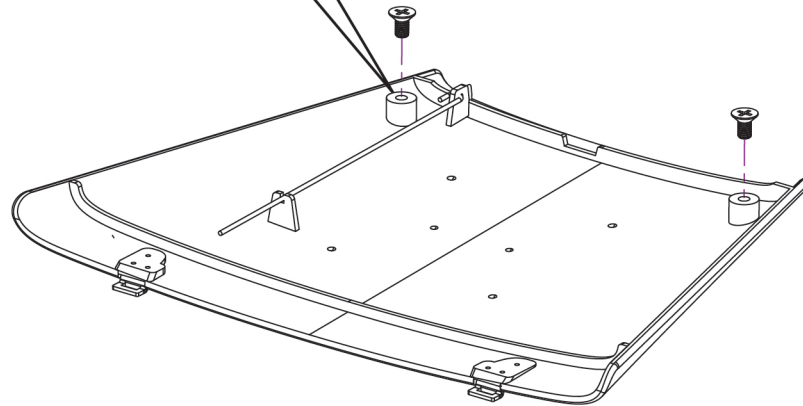
ST1.2x4 x 6

L11

L10

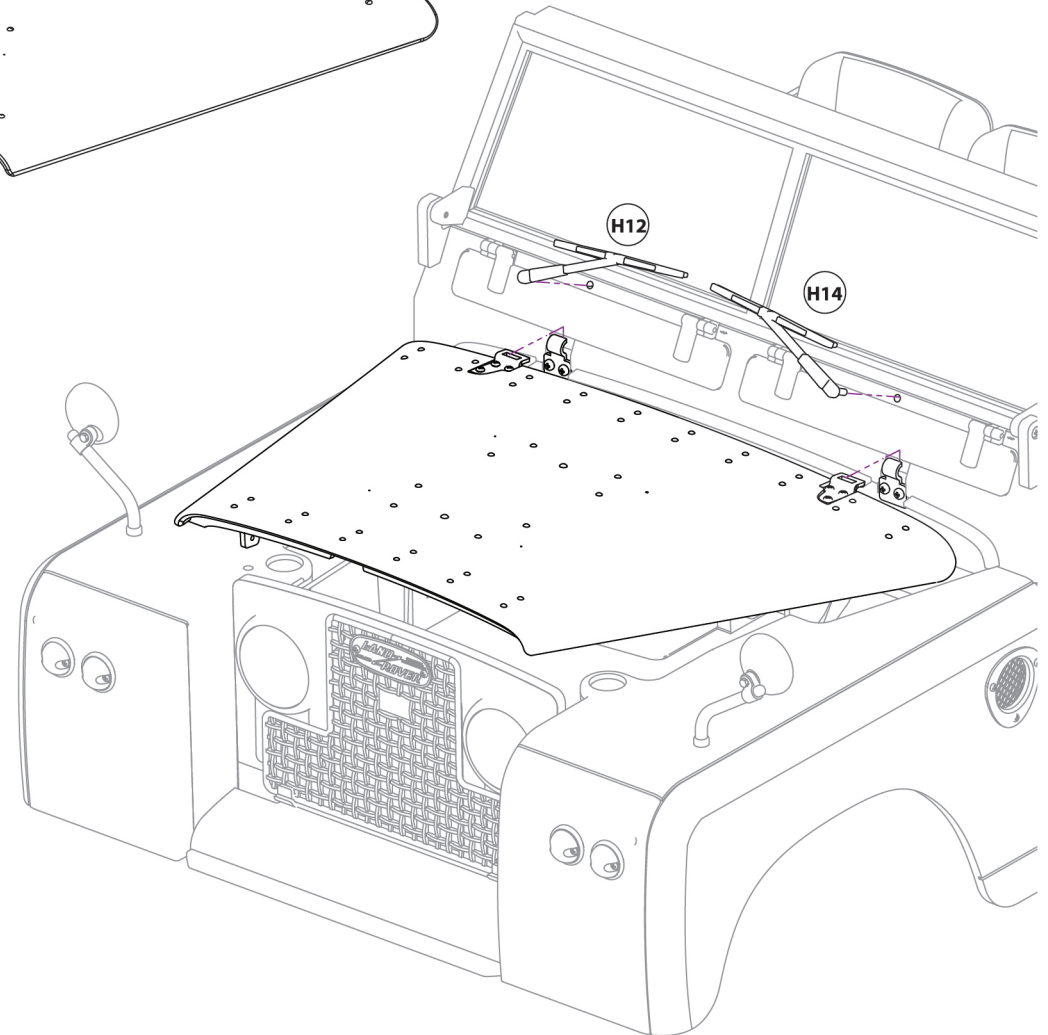


STCS3x6 x 2



H12

H14



21

ST1.2x4 x 6

STCS3x6 x 2

21

Attach the left and right bonnet hinge to the bonnet with six ST1.2x4 screws and two STCS3x6 screws into the bonnet and attach windscreen wipers.

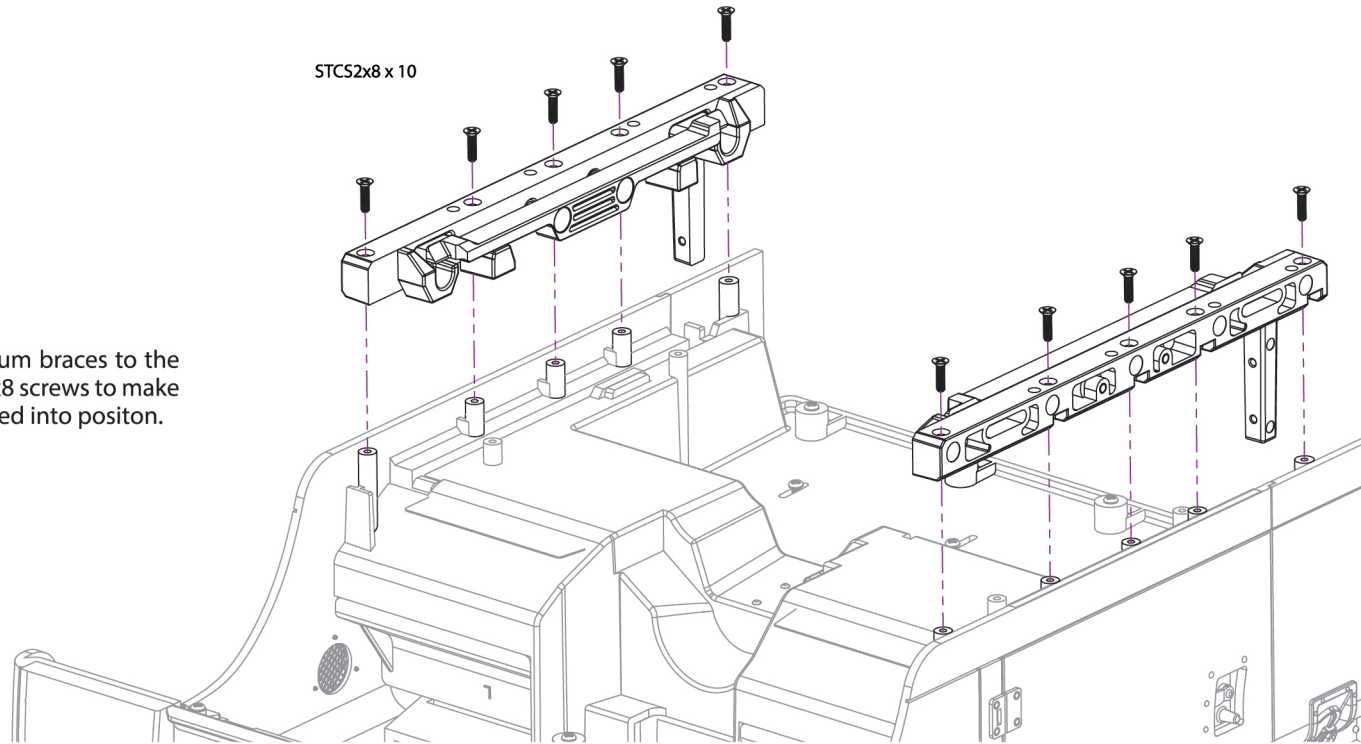


22

STCS2x8 x 10

STCS2x8 x 10

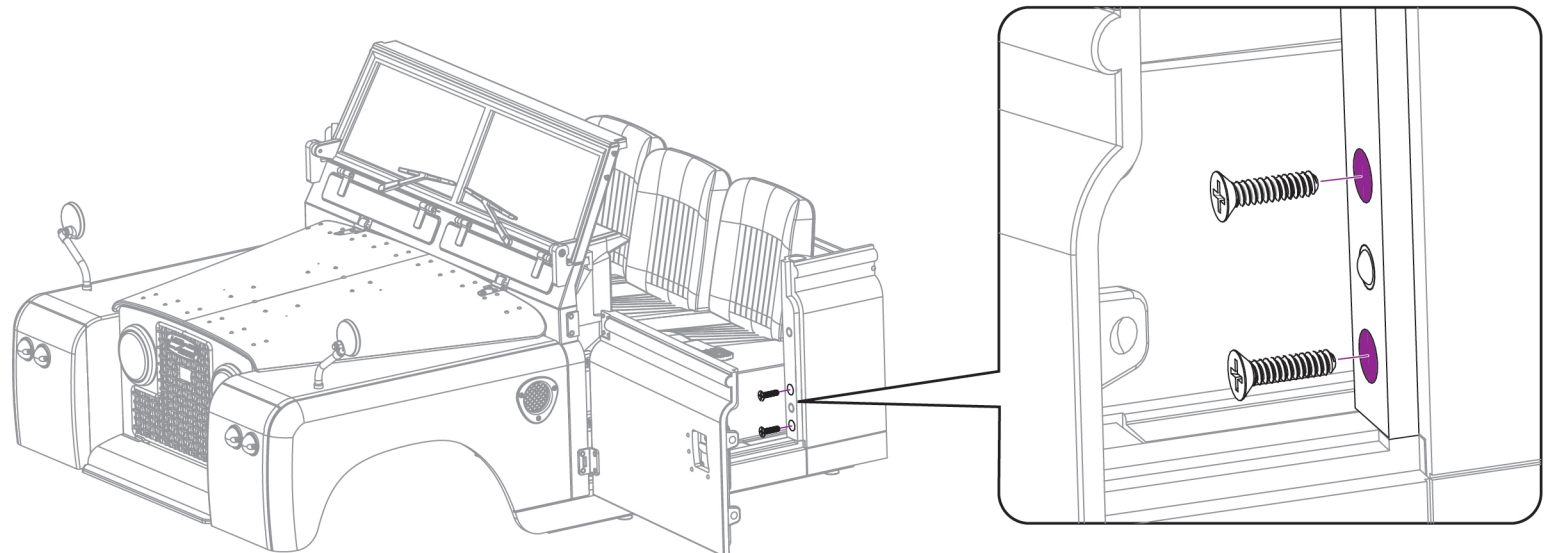
- 22** Install the two aluminum braces to the body using ten STCS2x8 screws to make sure everything is locked into position.

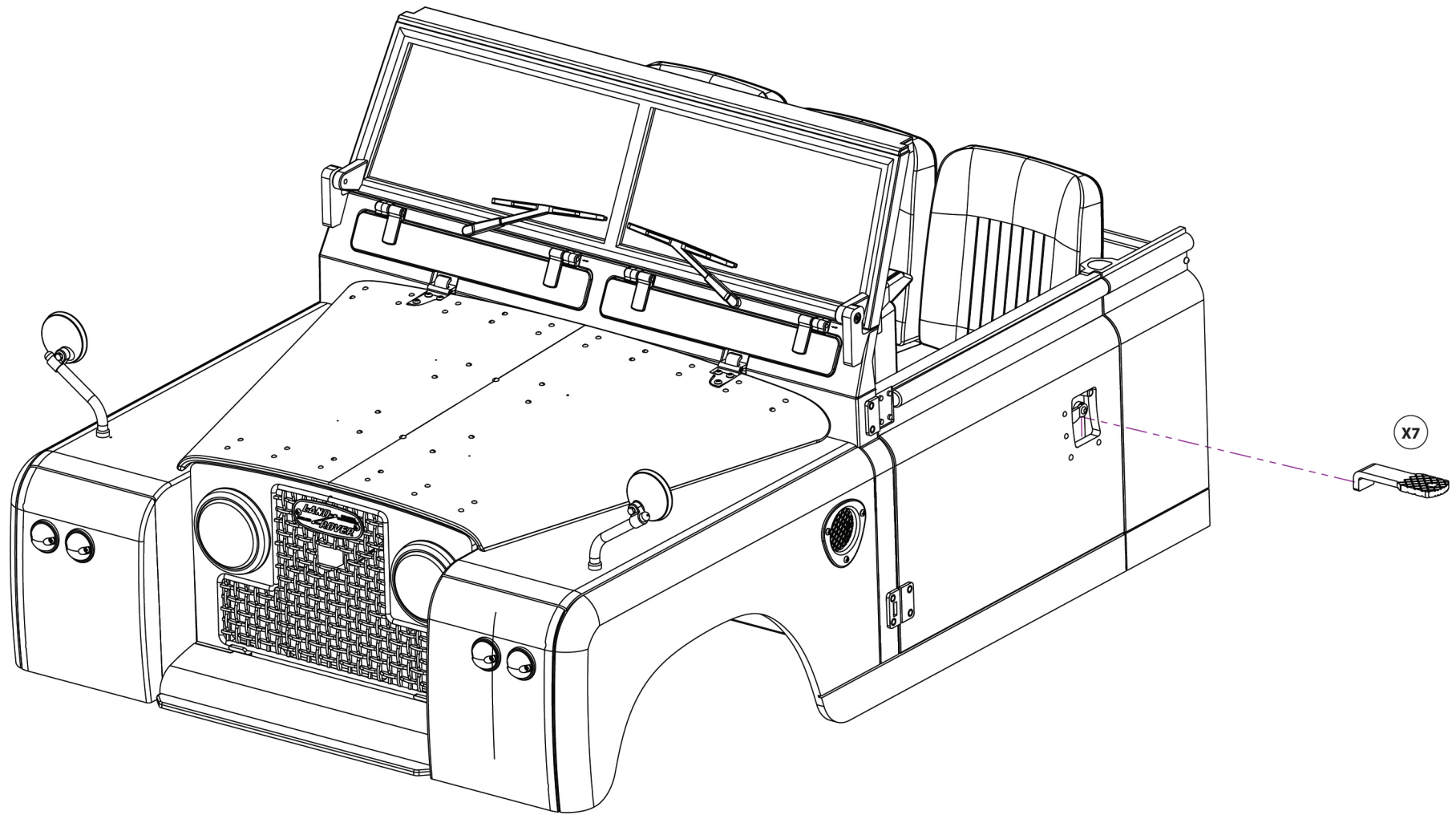


23

M2x8 x 4

- 23** Open the doors and fasten two M2x8CS screws on each side into the aluminum brace. Repeat on other side.





24 Use the door key and hook it onto the door to pull the door open.