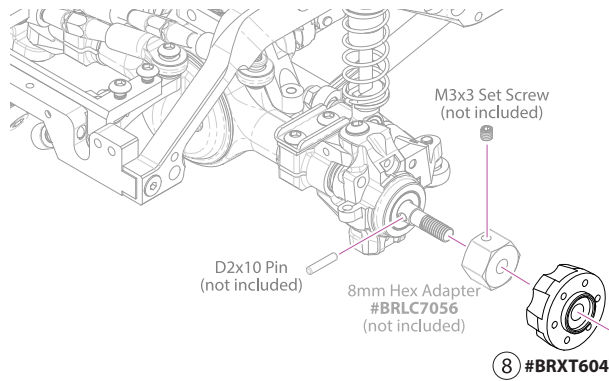


PROBUILD™ 2.2" CUSTOMIZABLE BEADLOCK WHEELS

Instruction Manual



#BRPROB22-05

Part Number Varies

#BRPROB22-02,
#BRPROB22-02EW

#BRPROB22-03,
#BRPROB22-03EW

#BRPROB22-01

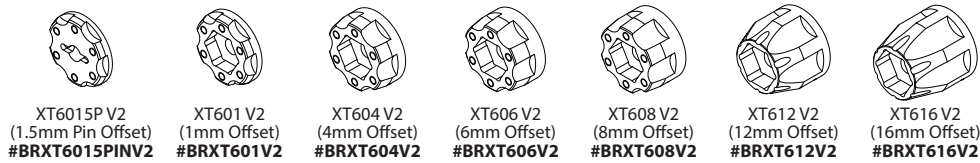
Tire not included

Note:
Use the M2x14 Socket Cap Screws (9) to start the assembly of the wheel. Once the wheel pieces are sandwiched together flush, then start the Scale Screws (7) installation.

WARNING:
ALL OUTER SCREWS, DO NOT USE THREAD LOCK AND DO NOT OVERTIGHTEN.

Parts Included:	Qty.
(1) 13.5mm Barrel	2
(2) 23mm Barrel	2
(3) 29.5mm Barrel	2
(4) Center Piece	2
(5) Extra Wide Center Piece	2
(6) Faceplate	2
(7) Steel Lock Ring	2
(8) XT604 V2 Wheel Hub Adapter	2
(9) M2x9 Scale Screw	40
(10) M2.5x8 Socket Cap Screw	12
(11) M2x14 Socket Cap Screw	6
(12) M4 Nut - Nyloc	2
(13) 7mm Nut Driver Adapter	1
(14) 2mm Scale Socket Driver	1
(15) M2x8 Socket Cap Screw	40
#BRASCH2008	

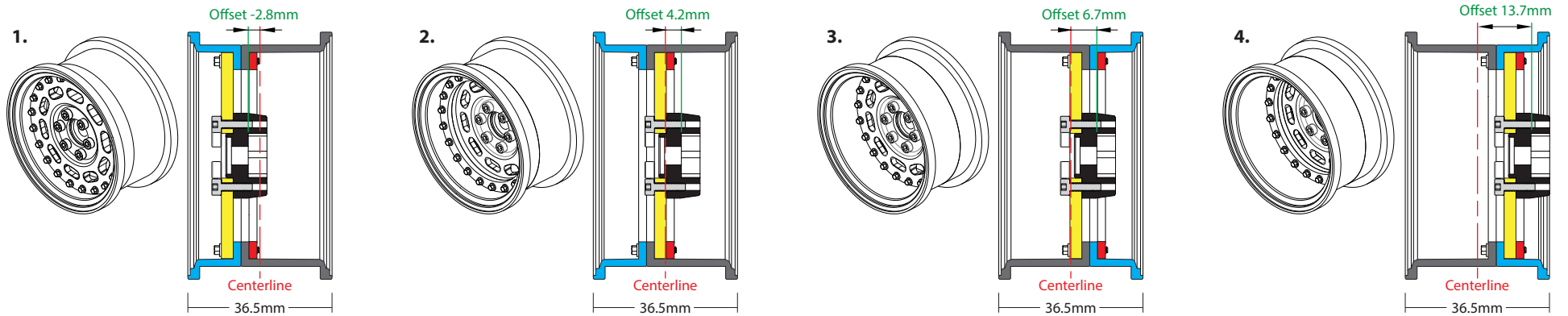
Optional Aluminum 12mm Wheel Hub Adapters



WHEEL OFFSET WITH HUB XT604 V2

3mm Faceplate used for reference only

13.5mm Barrel 23mm Barrel Faceplate Steel Lock Ring



13.5mm Barrel 29.5mm Barrel Faceplate Steel Lock Ring

