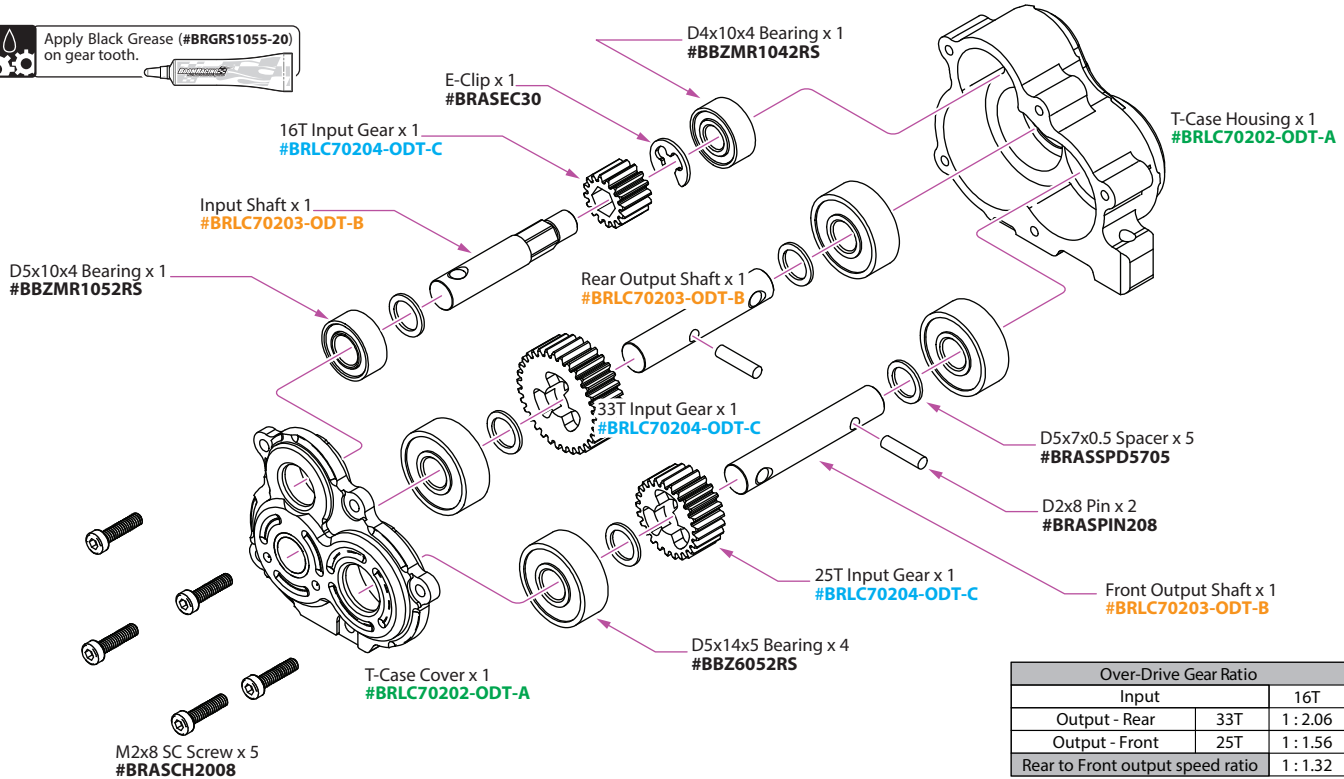
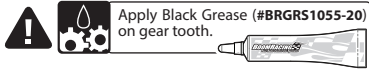


Overdrive Transfer Case (#BRLC70201-ODT)

Difficulty Level: ★★☆☆☆

Instruction Manual



Over-Drive Gear Ratio		
Input		16T
Output - Rear	33T	1 : 2.06
Output - Front	25T	1 : 1.56
Rear to Front output speed ratio		1 : 1.32