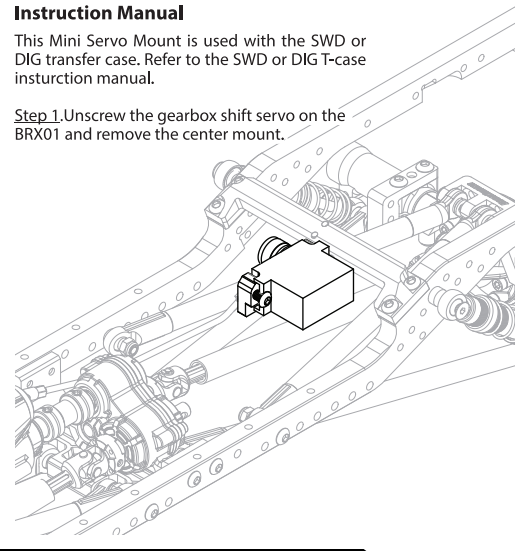


Mini Servo Mount Set for BRX01 (with Mini Servo #BRLC70100KIT OR without Mini Servo #BRLC70100)

Instruction Manual

This Mini Servo Mount is used with the SWD or DIG transfer case. Refer to the SWD or DIG T-case instruction manual.

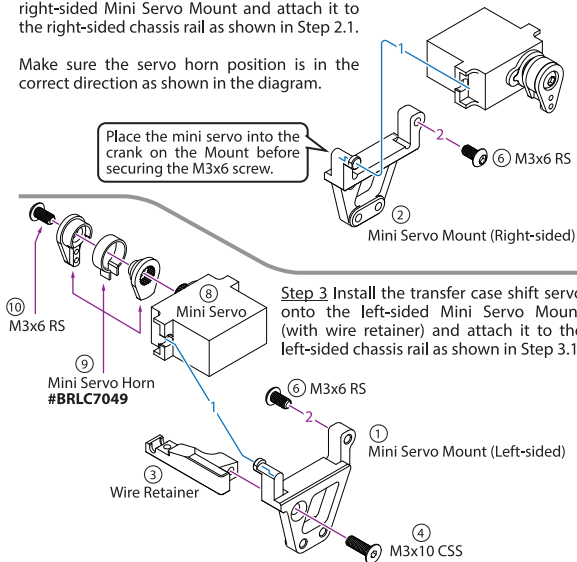
Step 1. Unscrew the gearbox shift servo on the BRX01 and remove the center mount.



WWW.BOOMRACINGRC.COM

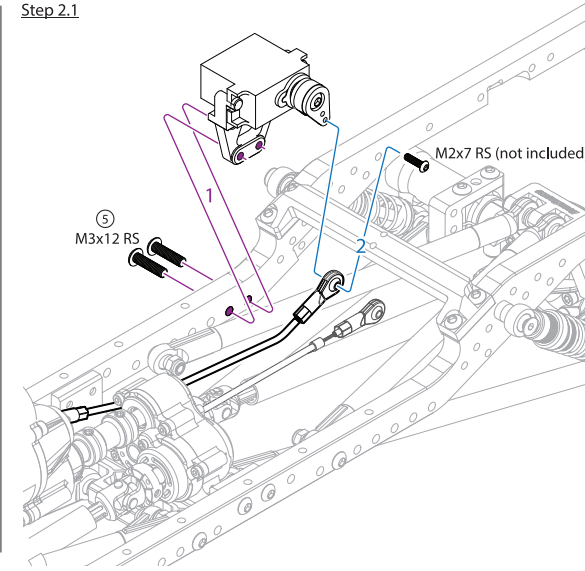
Step 2 Install the gearbox shift servo on the right-sided Mini Servo Mount and attach it to the right-sided chassis rail as shown in Step 2.1.

Make sure the servo horn position is in the correct direction as shown in the diagram.

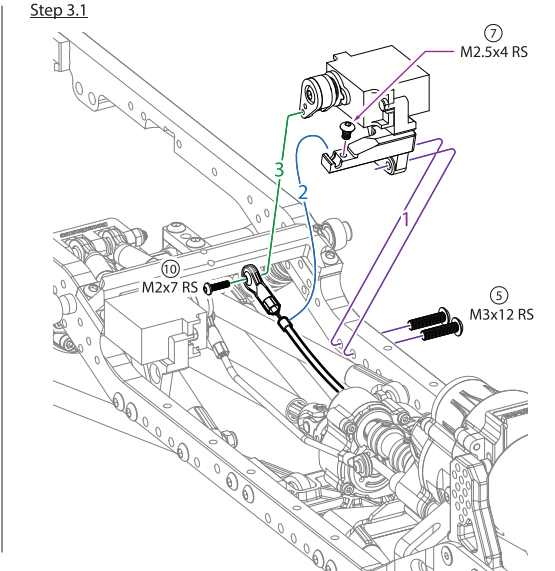


Step 3 Install the transfer case shift servo onto the left-sided Mini Servo Mount (with wire retainer) and attach it to the left-sided chassis rail as shown in Step 3.1.

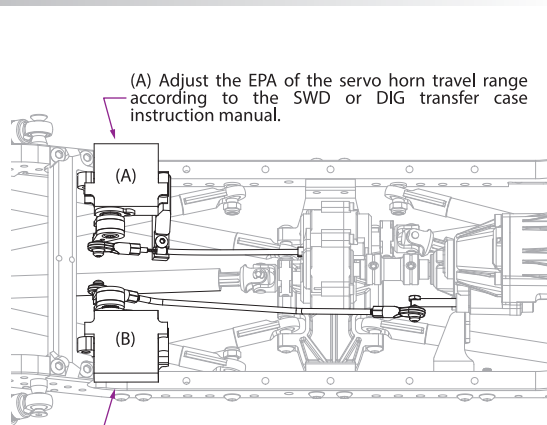
Step 2.1



Step 3.1

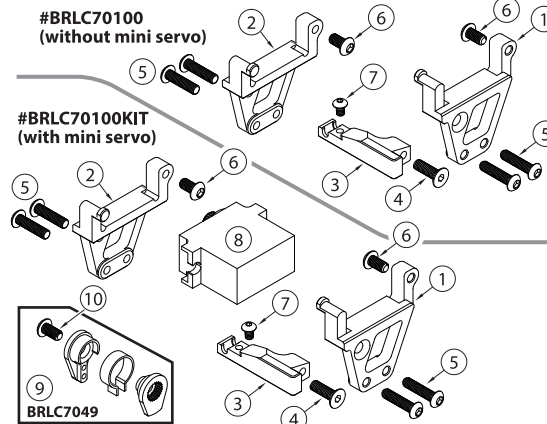


Mini Servo Mount Set for BRX01



(A) Adjust the EPA of the servo horn travel range according to the SWD or DIG transfer case instruction manual.

(B) Adjust the EPA of the servo horn travel range according to the BRX01 instruction manual.



Parts Included:	Qty.
(1) Mini Servo Mount - Left	1
(2) Mini Servo Mount - Right	1
(3) Wire Retainer	1
(4) M3x10 CSS Screw	1
(5) M3x12 RS Screw	4
(6) M3x6 RS Screw	2
(7) M2.5x4 RS Screw	1

Additional Parts in #BRLC70100KIT:	Qty.
(8) JX Waterproof HV Mini Servo #JX/PDI-HV1151MG	1
(9) Mini Servo Horn #BRLC7049	1
(10) M3x6 RS Screw #BRASBH3006	1

YOUR R/C HOP-UPS SPECIALIST

We love building scale models. Let's be honest. Which badass doesn't love a beautiful looking car? Our focus is on designing the best looking products that really perform; products that withstand beating and still look great enough to be shelf queens. Offering you the latest designs made with the highest possible quality at affordable prices is our absolute focus for all enthusiastic hobbyists.

Since 2012, Boom Racing has been manufacturing extreme performance RC products. We want you to love and enjoy these amazing "scale" and "performance" based products to create your own unique realistic RC builds.

We are never going to stop at giving you the best updates and upgrades on our product lines. That's our passion and our commitment to keep you on your toes with excitement and anticipation for what's to come next.

Enjoy being a BADASS!



#boomracing



BoomRacing

Mini Servo Mount Set for BRX01 #BRLC70100KIT (with Mini Servo) #BRLC70100 (without Mini Servo)



#BRLC7095KIT (with mini servo)

ENJOY BEING A BADASS

WWW.BOOMRACINGRC.COM

Copyright © Boom Racing Ltd.

www.boomracingrc.com