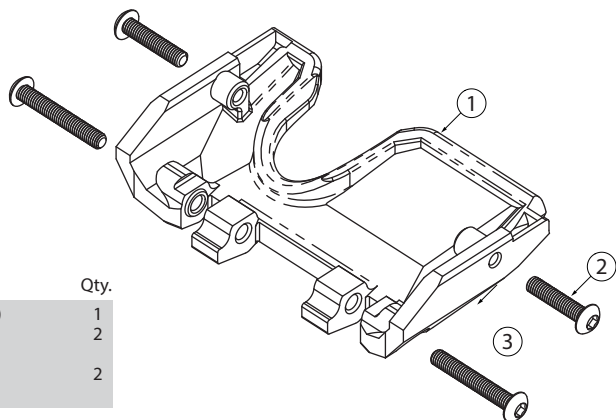


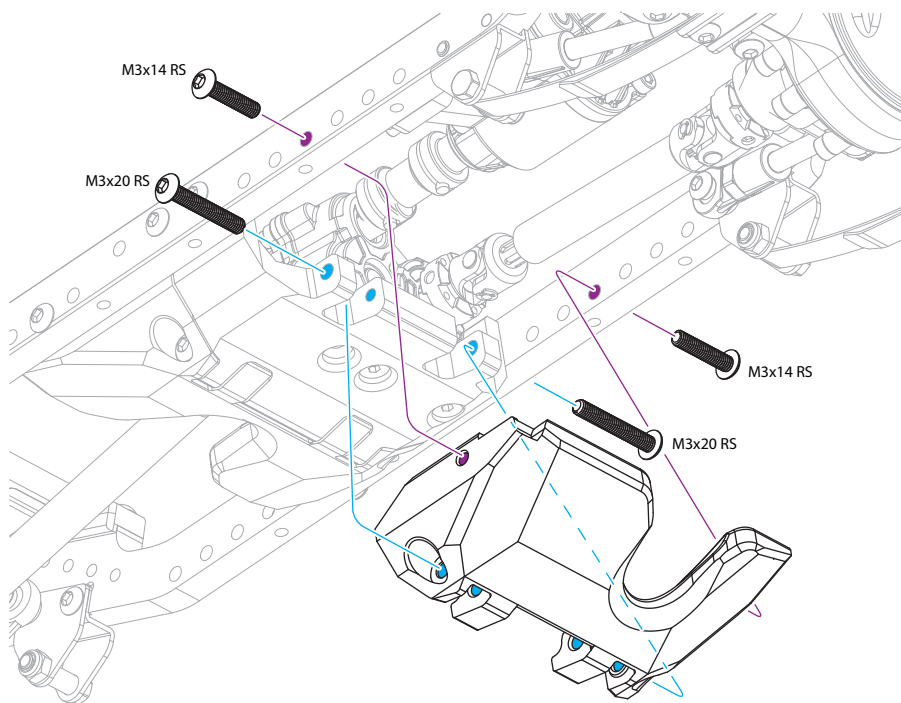
Center Slider (Front) for BRX01 Center Skid Plate #BRLC7077

Difficulty Level: ☆☆☆☆☆

INSTALLATION MANUAL



Parts Included:	Qty.
(1) Center Slider (Front)	1
(2) M3x14 RS Screw #BRASBH3014	2
(3) M3x20 RS Screw #BRASBH3020	2



 Apply Thread Lock to all screws.
(Do Not Use Red Loctite)

BRX01 Center Front Slider for Front Leaf Spring Conversion



Cut away the thin wall on the right when an optional stainless steel gearbox end mount is installed.

Cut away the thin wall on the left when an optional **Muscle Winch™** mount is installed.