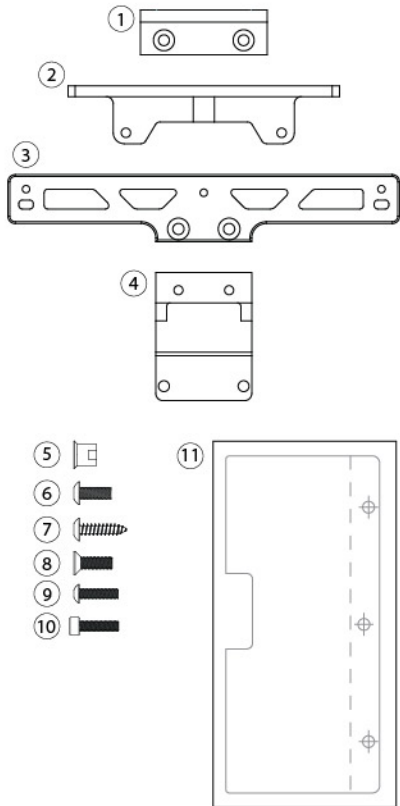


# Aluminum Body Mount (Quick Release) for Team Raffee Co. Rover SUV 1/10 Hard Body (BRX01) #BRLC70203

Difficulty Level: ★★☆☆☆

## INSTALLATION MANUAL

Parts Included:	Qty.
(1) Rear Body Hinge Mount	1
(2) Front Body Mount	1
(3) Rear Body Mount	1
(4) Rear Mount Connector	1
(5) Cross Bar (6mm) #BRLC7065C	2
(6) M3x8 RS Screw #BRASBH3008	2
(7) M3x10 Self-Tapping Screw	3
(8) M3x10 CSS Screw #BRASFH3010	2
(9) M2.5x10 RS Screw #BRASBH2510	3
(10) M2.5x10 SC Screw #BRASCH2510	2
(11) Guide Sheet	1

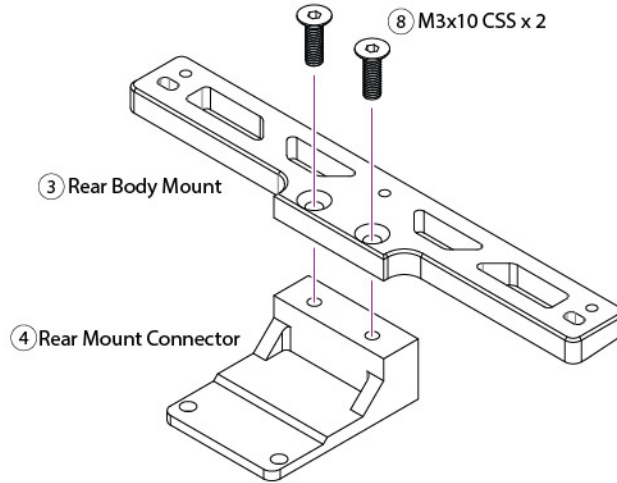


Fits these TRC bodies:

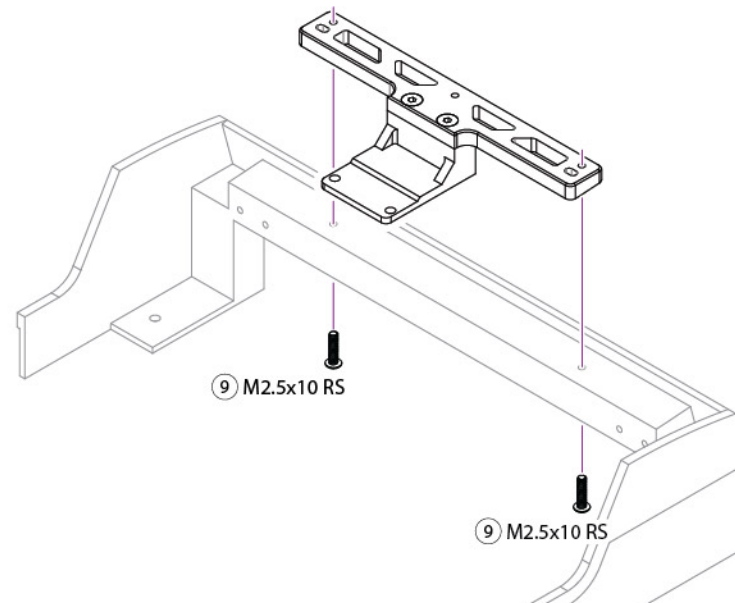
TRC/302457 3-Door Rover SUV 313mm

TRC/302550 5-Door Rover SUV 313mm

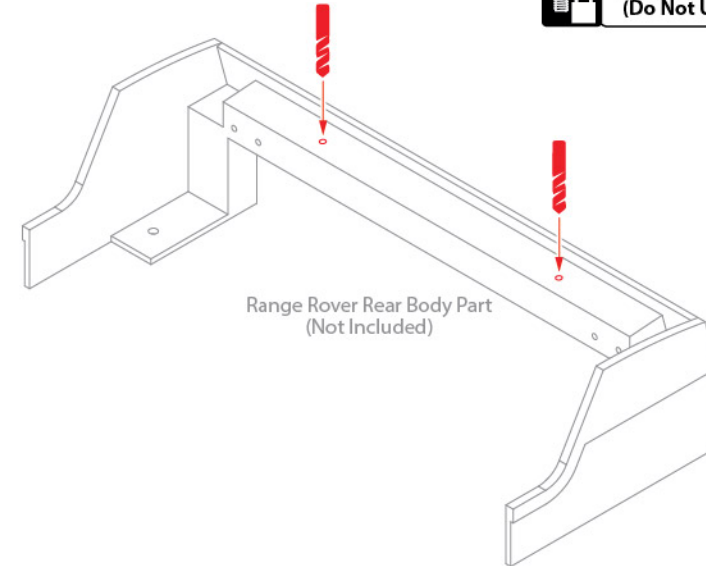
1. Assemble the Rear Body Mount.



3. Install the Rear Body Mount to body.

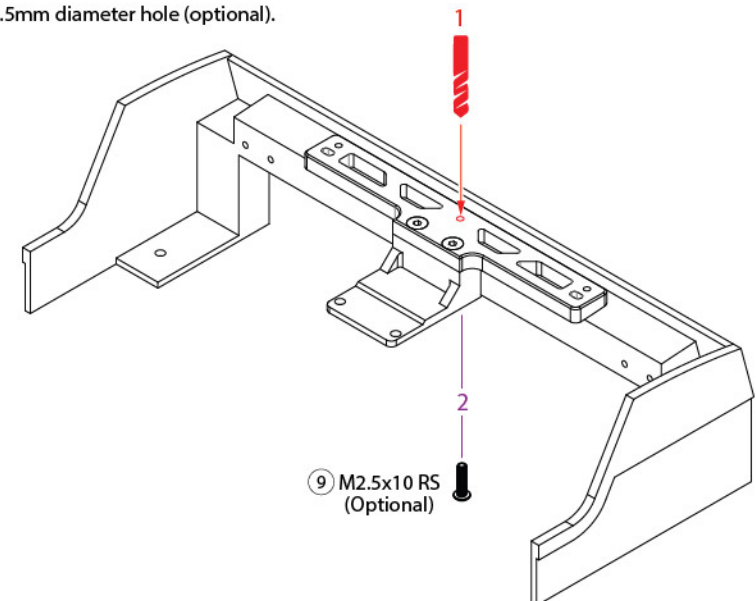


2. Enlarge the two holes to 2.5mm in diameter.



Apply Thread Lock to all screws.  
(Do Not Use Red Loctite)

4. Drill a 2.5mm diameter hole (optional).



# Aluminum Body Mount (Quick Release) for Team Raffee Co. Rover SUV 1/10 Hard Body (BRX01) #BRLC70203

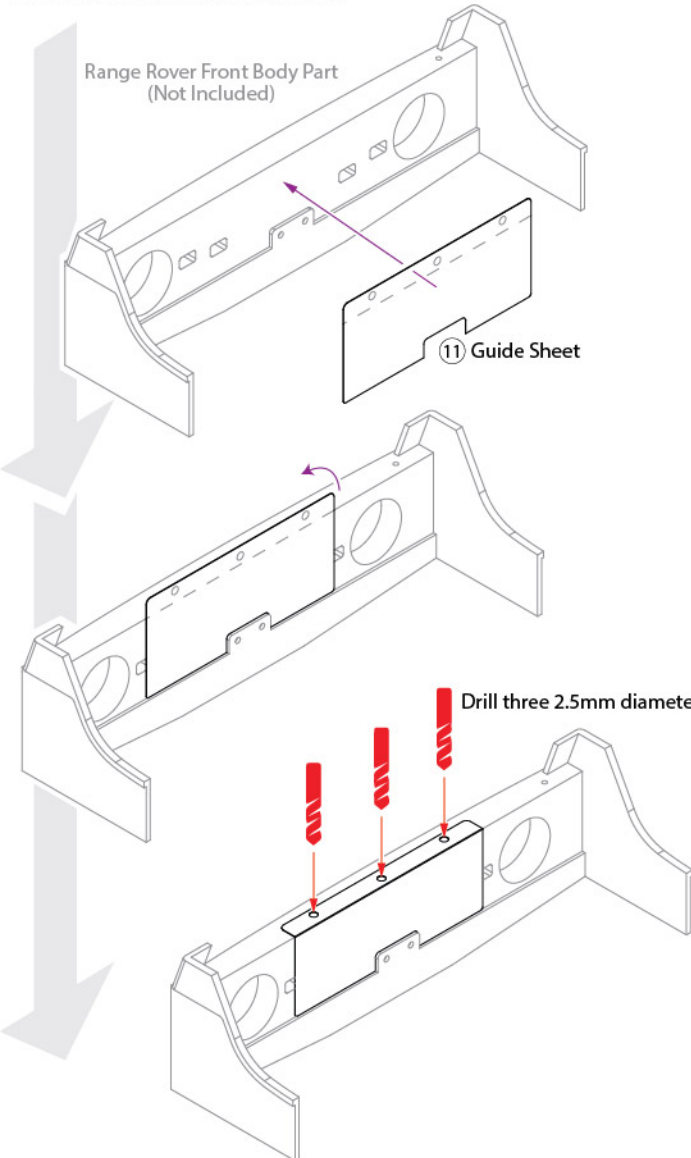
Difficulty Level: ★★☆☆☆

## INSTALLATION MANUAL

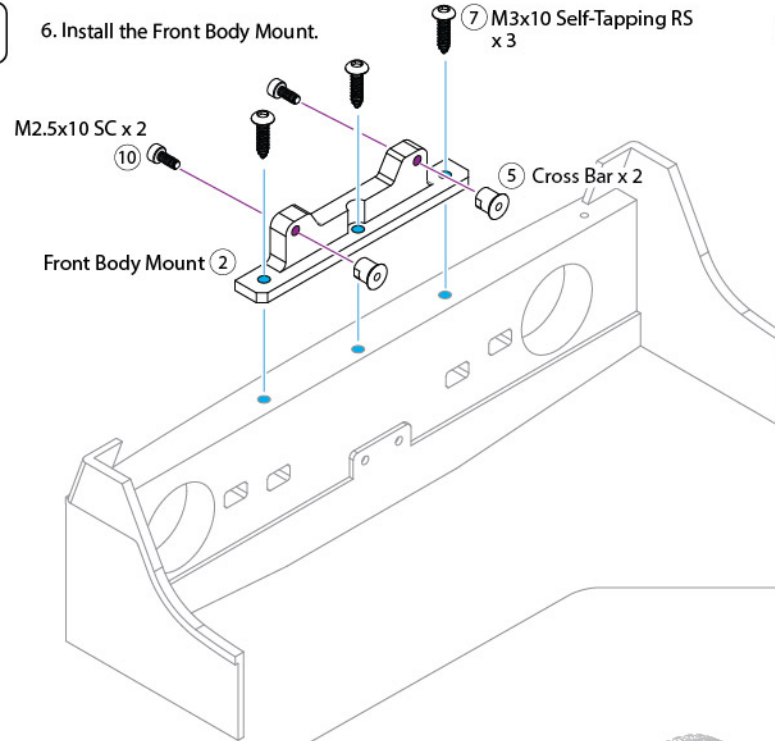


Apply Thread Lock to all screws.  
(Do Not Use Red Loctite)

5. Place the Guide Sheet on the front bumper as shown and drill three 2.5mm diameter holes.



6. Install the Front Body Mount.



7. Replace stock BRX01 hinge mount with new Body Hinge Mount.

